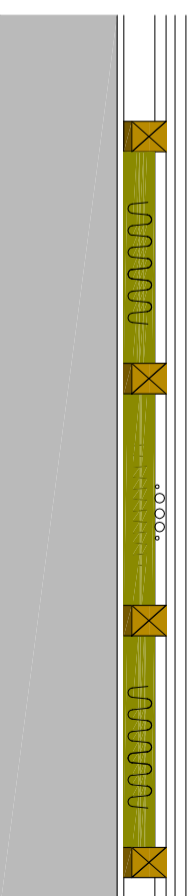
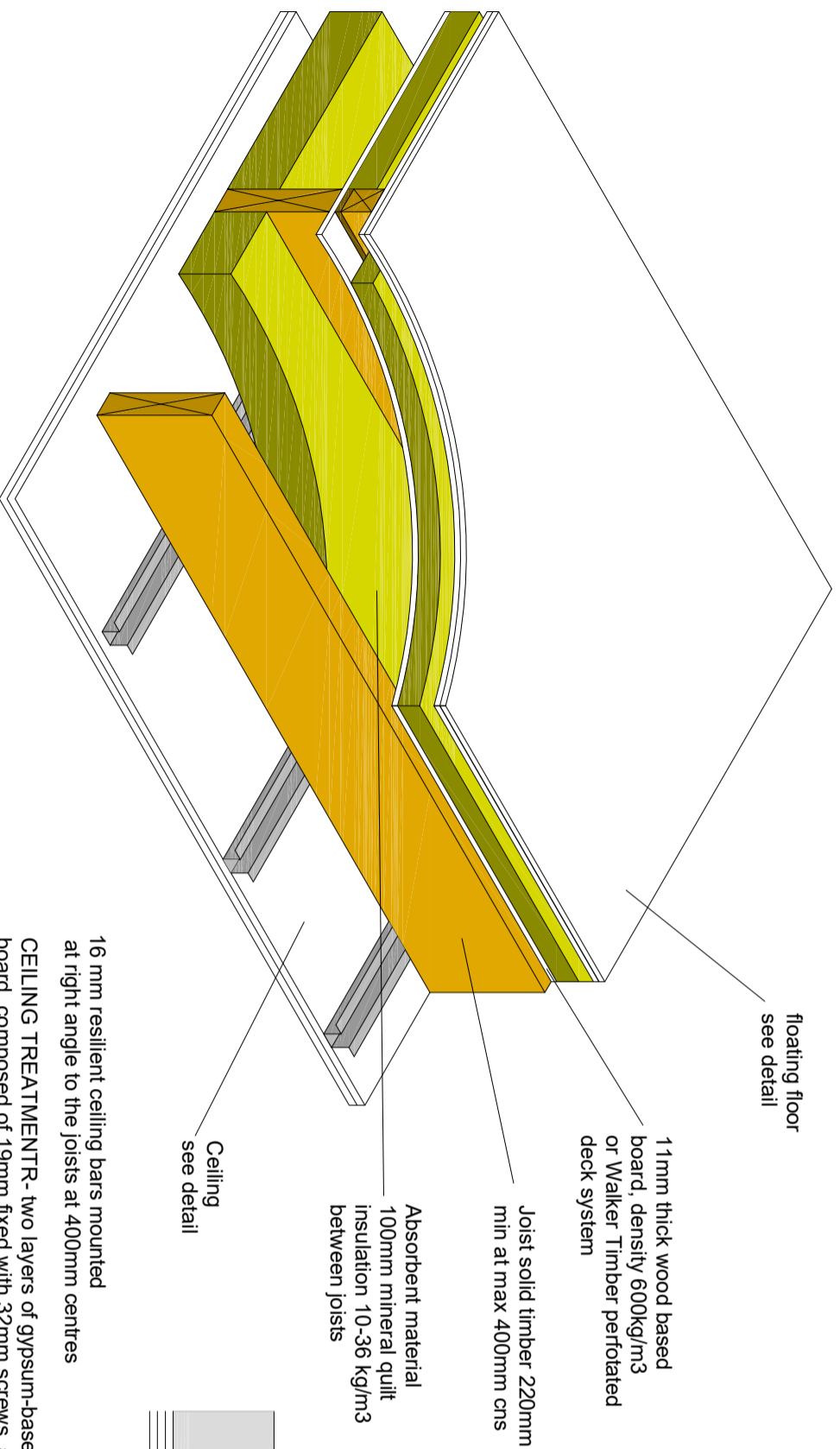


SOUND RESISTANT FLOOR

FLOATING FLOOR

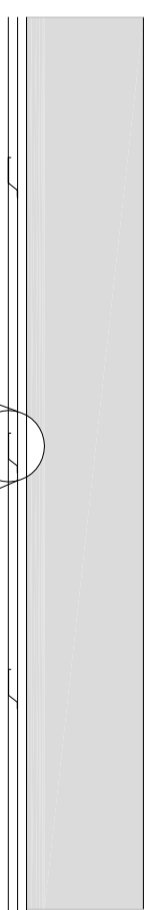
ROBUST DETAIL E-FT-2



**E-FT-2
FLOATING FLOOR DETAIL**

18mm t&g flooring
 gypsum based board 13.5kg/m² density
 FFT-1 resilient composite deep battens
 resilient layer must be continuous and not
 pre bonded to batten
 battens may have resilient layer at top or bottom
 60mm 10-36 kg/m³ mineral wool between battens

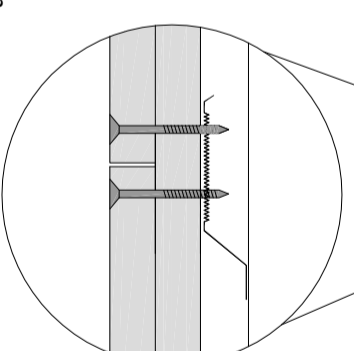
services located above
 or below quilt



E-FT-2

CEILING TREATMENT.

- 16 mm resilient ceiling bars mounted at right angle to the joists at 400mm centres
- CEILING TREATMENT-1**- two layers of gypsum-based board, composed of 19mm fixed with 32mm screws, and 12.5mm fixed with 42mm screws
- CEILING TREATMENT CT2**- two layers of gypsum-based boards composed of 15mm with 25mm screws and second layer of 15mm gypsum-based board fixed with 42mm screws.
- 25MM RESILIENT BARS WITH CT3**- 25mm metal resilient ceiling bars mounted at right angles to the joists at 400mm centres.
- CEILING TREATMENT CT3**- two layers of gypsum-based board, composed of 10mm fixed with 30mm screws and second layer of 10mm fixed with 30mm screws.



TITLE **PROPOSED DRAWINGS**

ADDRESS **42 FORDWYCH ROAD
LONDON, NW2**

CLIENT **Mr.**

SCALE **1:100 @ A3**

DATE **APRIL 2019**

DRAWING NO. **190417/21**

REV.