

Camden Planning Guidance

Altering and extending your home

March 2019

Contents

1. Introduction.....	3
What is Camden Planning Guidance (CPG)?	3
What does this design guidance cover?.....	3
When does this design guidance apply?	4
2. Design excellence for houses and flats	7
Good practice principles	7
Materials and other alterations.....	7
Windows	10
Doors and porches.....	11
3. Extensions: rear and side	12
Good practice principles	12
Rear extensions	12
Conservatories.....	13
Side extensions.....	13
4. Roofs, terraces and balconies.....	15
General principles.....	15
Dormer windows	16
Mansards.....	18
Valley or butterfly roofs	19
Balconies and roof terraces.....	20
Roof lights	21
Solar panels	22
Green roof installation	22
5. Gardens, garden buildings and biodiversity.....	24
Front gardens	25
Front boundary treatments	26
Use of SuDS (sustainable drainage systems).....	27
Trees	27
Rear gardens.....	28
Sheds and other garden buildings (outbuildings).....	29
Biodiversity.....	30
Gardens.....	30
Green walls and green roofs	30

1. Introduction

Key messages

- Extensions and alterations to houses or flats should be of high quality and always take into account the character and design of the property and its effect on its surroundings and the amenity of neighbours.
- Poorly designed historical examples nearby shall not stand as precedent.
- Extensions should be secondary in size and form and appearance to the residence being extended.
- Windows, doors and materials should be of a high quality and complement the existing building. Low quality materials including uPVC will be resisted for use on the outside of a property.
- Be sure to check 'Permitted Development' regulations in case you are able to make certain types of minor alterations without the need for planning permission
- The importance of gardens and planting, which frame a property and encourage biodiversity is also an important consideration.

What is Camden Planning Guidance (CPG)?

- 1.1 The Council has prepared this guidance to support the application of the policies in the Camden Local Plan 2017. It is a formal Supplementary Planning Document (SPD) and is therefore a “material consideration” for planning decisions.
- 1.2 Camden Planning Guidance covers a range of topics (such as housing, sustainability, amenity and planning obligations) and should be read within the context of the policies within Camden’s Local Plan.

What does this design guidance cover?

- 1.3 This guidance is aimed at residents and landlords who wish to extend or make alterations to their homes and properties. Its aim is to demonstrate how extensions or alterations to residential houses and flats within Camden can be designed to a high quality to respect the character of the property and to work well for its occupants, neighbours and surrounding environment and to help promote improved health and wellbeing.
- 1.4 **Camden Local Plan policies:** In the main, this guidance supports policies:
 - D1 (Design)
 - D2 (Heritage)
 - A1 (Managing the impact of development)
 - A3 (Biodiversity)
 - A5 (Basements)
 - CC2 (Adapting to climate change) in relation to small residential developments

- 1.5 **Other CPGs:** The scale and design of an extension can have impacts on neighbouring properties and occupants; therefore reference to other CPGs may be necessary. In particular:
- [CPG on Amenity](#) - provides details on how an extension can be designed to avoid negative impacts to neighbouring outlook, light and privacy.
 - [CPG on Basements](#) - provides guidance on extensions through the excavation of, and alterations to, basements.
 - CPG on Design provides general guidance about the design of buildings in the borough. It provides information about applying for listed building consent.
 - CPG on Energy efficiency and adaptations - for information about how to add improved heating, how to draft proof and insulate your home
 - CPG on [Planning for health and wellbeing](#) - provides more detail on the impact of design on health and wellbeing.
- 1.6 This document was adopted in March 2019 and replaced the householder design elements in CPG 1 Design (adopted July 2015 updated March 2018).

When does this design guidance apply?

- 1.7 The principles set out by this document are applicable to all householder planning applications and full planning applications for residential houses and flats that are **self-contained and fall within the Use Class C3**.
- 1.8 We will also apply these principles to homes covered under paragraph 3.6 of the Local Plan (2017). Therefore, this guidance will also be applied to self-contained homes that:
- Provide another use, notably live/work units (homes with a dedicated work area) which are usually considered to be Sui Generis; and
 - Provide small houses in multiple occupation (Use Class C4) that can change to Use Class C3 without the need to obtain full planning permission due to the freedoms provided in legislation. Where the freedom to change to Use Class C3 has been removed (e.g. by a planning condition), the Council will regards small houses in multiple occupation as non-self-contained housing.

Permitted development rights

- 1.9 The [Town and Country Planning \(General Permitted Development\) \(England\) Order 2015](#) enables certain types of home extension or alteration to be carried out without the need of applying to the Council for planning permission - known as Permitted Development (PD) rights.
- 1.10 It should be noted that PD rights mainly apply to houses and not to flats; and that if a house is within a [Conservation Area](#), there will be further restrictions to the property's PD rights. For further information about permitted development rights, please refer to www.planningportal.gov.uk.
- 1.11 To confirm that an extension or alteration will fall within the parameters of permitted development, you can apply to the Council for a '[Lawful Development Certificate](#)'. This will provide legal confirmation that the works undertaken to a property comply with the permitted development regulations.
- 1.12 Further information and guidance on works that fall within permitted development are provided on the Council's webpage [I want to make changes to my home](#).

The character of housing in Camden

- 1.13 Camden is a diverse and dynamic Borough with rich architectural heritage. It is a significant challenge for Camden to adapt to population growth and accommodate expanded buildings while improving the quality of life of residents and preserving our valued places and promoting high quality design
- 1.14 The borough contains many residential areas and neighbourhoods each with their own distinctive identity and characteristics. The southern portion is part of Central London and, along with a rich mix of offices, theatres, museums, universities and other institutions of national and international significance; it includes residential streets and mews in Georgian Bloomsbury and Fitzrovia.
- 1.15 Victorian development accounts for a large proportion of development across Camden. In the north of the borough there are extensive areas where streets are lined with Victorian terraces, villas and mansion blocks - in Camden Town, Kentish Town, Primrose Hill, Belsize Park, Hampstead, Highgate, West Hampstead and Kilburn. Elsewhere post-war housing estates are more prevalent. There is little of the more suburban model of semi-detached properties set within generous plots of the inter war years as there was little land available for development within Camden by this period.
- 1.16 Victorian development forms popular neighbourhoods and provides a robust structure of properties fronting onto attractive residential streets. The individual ownership of terraced houses and larger houses and villas allows personalisation and adaptation of properties and this is one of the enduring qualities of Victorian housing. However, there is also a risk that insensitive changes to buildings can slowly erode the distinctive character of a neighbourhood.
- 1.17 Most of Camden's residential areas are well cared for but changes that negatively affect their character will be resisted. As well as conserving our rich heritage we should also contribute towards it by ensuring that we create equally high quality buildings and spaces which will be appreciated by future generations. The replacement of sash windows, doors or roofing materials with cheap alternatives, the addition of insensitively designed extensions, the paving over of front gardens and changes to boundary conditions can damage the overall composition and character of the street.



Conservation areas

- 1.18 A conservation area is defined in the [Planning \(Listed Buildings and Conservation Areas\) Act 1990](#) as an area of special architectural or historic interest, the character or appearance of which it is desirable to preserve and, where possible, enhance. Camden has 40 conservation areas covering much of the borough.
- 1.19 If you would like to know more information about Camden's conservation areas and whether your property is within one, please refer to Camden's [conservation area webpage](#). It is generally the case that planning permission will be required for alterations, extensions or demolition to a property within a conservation area.

Listed building consent

- 1.20 Where a property is listed in accordance with the [Planning \(Listed Buildings and Conservation Areas\) Act 1990](#), you will require different permissions to undertake certain extensions and alterations. CPG on Design and [Council's website](#) provide further information on the process.

Article 4 Directions

- 1.21 An [Article 4 Direction](#) removes permitted development rights for specific properties, types of extension/alteration or areas, which means a planning application, will be required. In particular, Camden has Article 4 Directions for basement excavation and for certain works to residential properties within conservation areas. For full details please see the Camden website.
- 1.22 **Basements:** There is an Article 4 Direction covering the whole of Camden relating to basement developments. This means that planning permission is required for all basement development in the borough.
- 1.23 **Conservation areas:** In relation to residential properties, Article 4 Directions generally cover properties within these areas. The Directions will vary between conservation areas and therefore you are advised to specifically check for Directions covering your area.

2. Design excellence for houses and flats

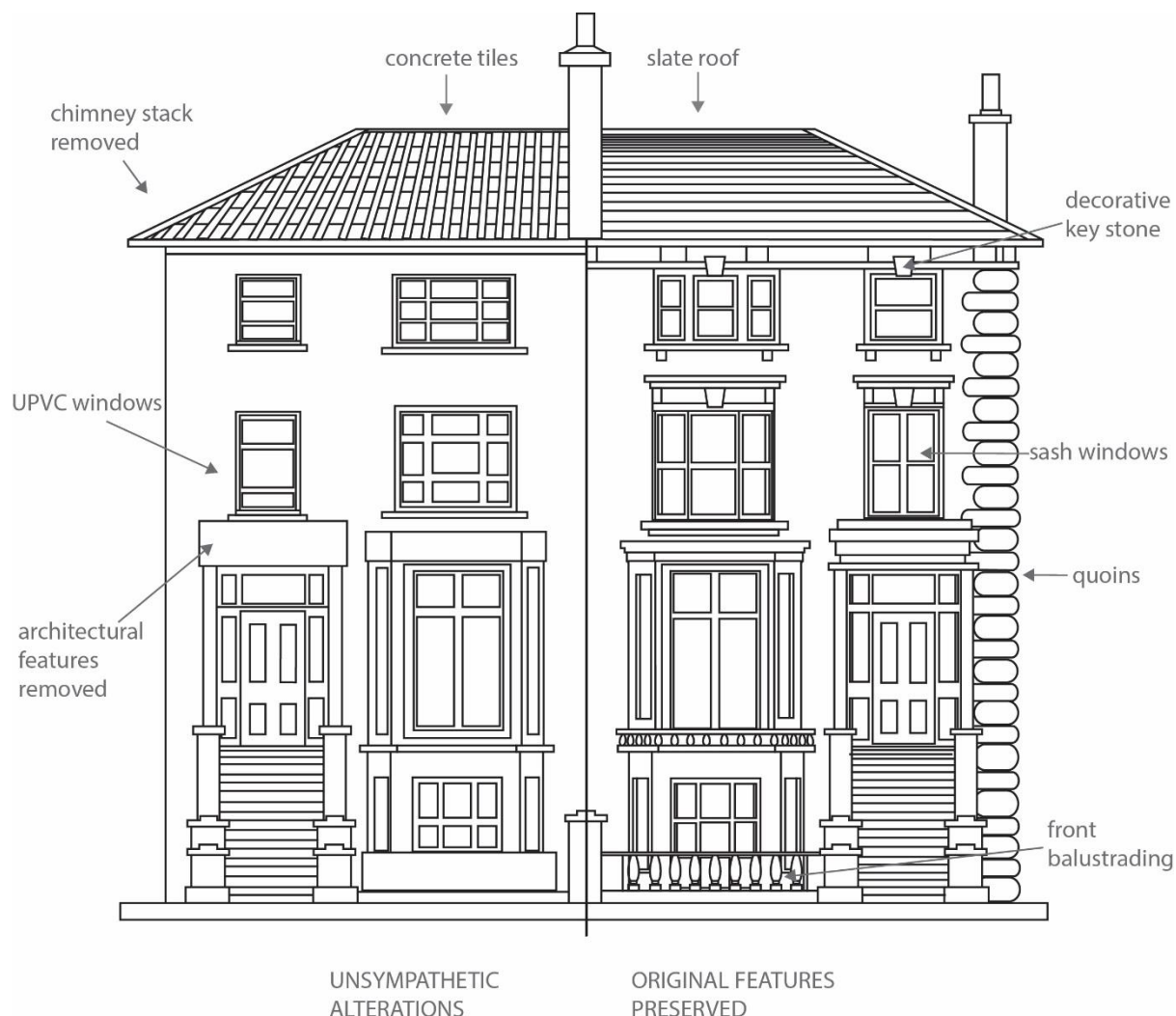
Good practice principles

- 2.1 Camden is committed to excellence in design throughout the borough. The design of the built environment affects many things including the way we use spaces and interact with each other, comfort and enjoyment, safety and security, our sense of inclusion and health and well-being. Good design should always positively enhance its surrounding context. This is particularly important in conservation areas.
- 2.2 Contemporary design approaches in alteration and extensions must be sensitive to the property and its context. The addition or alteration must compliment the property without eroding or harming its character and the surrounding area or having a negative impact on neighbouring amenity.
- 2.3 Extensions and alterations, and the digging or movement of soil, should respect and be sensitive to natural and physical features, both within and outside the curtilage of a property. This includes (but may not be limited to) consideration of slope and topography, planting, biodiversity, habitats, waterways and drainage, sunlight and shade.
- 2.4 Reference should be made as necessary to the Council's [other CPG documents](#) (such as those on Amenity, Basements, Biodiversity and Energy Efficiency) for information that may apply to your proposed extension or alteration. If you live in a conservation area or listed building, please also refer to the heritage section in CPG on Design.

Materials and other alterations

- 2.5 Alterations to a property and the materials used should always be complementary to the existing building and its original features. Consideration of materials should form an integral part of the design process. To do this, you must take into account its existing colours and textures, character and design and the surrounding area. Materials for alterations should weather well, so their ageing process contributes positively to the character of the building, and the site's wider context.

Figure 1 : Illustration of how unsympathetic alterations to a residential façade can erode its character



- 2.6 New work to a property should blend with the old, though in some cases it may be appropriate for the alteration to be more distinct from the original building. In other cases, closely matching materials and design details are more appropriate to ensure the new work blends with the old. This is something you can discuss with your architect and Planning Officer through the pre-planning process.
- 2.7 With buildings of traditional construction, the use of traditional and some new non-synthetic building materials for repairs and alterations, including lime-based renders and mortars to match existing, internal plasters, floor screeds, and insulation, will generally reduce maintenance costs, support the longevity of the historic structure and ensure the original building materials function together as intended, better than highly-engineered synthetic products. More advice on sustainable building technologies and the benefits and range of natural building materials can be found in CPG for Energy Efficiency and adaptation.

Original surface finishes

- 2.8 These should be retained or replicated wherever possible, as they are usually central to the architectural design / character treatment of a building. These may cover the entire

building or façade (such as stucco facing), the roof elements (such as roof tiles and roof ridges), highlight specific features (such as windows or doors) or act as decorative elements (such as ironwork or terracotta panels).

Roofs

- 2.9 Clay tiles, natural slate, lead or copper, that visually blend with existing materials, are preferred for roof alterations and repairs. Where roofs are being refurbished, original materials such as keyhole ridge tiles or decorative chimney stacks and chimney pots should be reused and where possible, re-instated where they have been removed. Please be mindful that replacement by inappropriate substitutes will erode the character and appearance of property and area.
- 2.10 With roof extensions such as a mansards and dormers, materials should be of the highest quality because of their significant visual impact on the appearance of a building and townscape and the need to be weather-tight. Natural slate is the most common covering and this should be laid with a traditional overlap pattern. Artificial slate or felt are not acceptable roof coverings in conservation areas. Where a roof in a conservation area is being re-covered, the choice of covering should replicate the original, usually natural slate or clay tile.
- 2.11 Ongoing maintenance and repair or partial replacement of roof coverings is preferable to wholesale replacement even with appropriate original materials, for sustainability reasons and to maintain consistency of patina and weathering in groups of buildings.

Walls

- 2.12 When repairing existing wall finishes, the composition of the original material (such as brick, concrete or stucco/render) should be determined, the defective area cut out and a replacement material of identical chemical composition applied and properly bonded. Concrete or cement repairs to the masonry, mortar or render of traditional houses are generally non-original, can damage the surrounding historic materials, and should be replaced with lime-based alternatives. There may be scope for contemporary design materials for example on extensions, but these must be of a high quality and will be considered on site context.

External pipework

- 2.13 Original external pipework and guttering should be repaired or reinstated in a like-for-like manner, where possible. In the case of historic buildings, cast iron replicas of original pipework are preferable to uPVC pipes. New pipework should be restricted to the side and rear elevations of buildings to avoid spoiling the appearance of the principal façade and should be grouped together and located in a discreet position

Acoustic and insulation blocks

- 2.13 The insulating quality of materials should be considered along with their embodied energy (the energy used in manufacture) and the potential for re-use and recycling. For conservation areas, further information about energy efficiency can be found in Camden's [Energy Efficiency planning guidance](#) on the Council website.

Brickwork or stonework

- 2.14 Alterations or repairs to brickwork or stonework should match the original in all respects while satisfying the needs of durability and maintenance. This should include matching the original bond, mortar colour and texture. Retention of any existing pointing is encouraged wherever possible.

Brick samples

- 2.15 Brick type and mortar colour will normally be required as a sample to be submitted to the Council as part of any application

Painting, rendering or cladding of brickwork

- 2.16 The original exterior wall finish of a building is normally an important aspect of its architecture and should be preserved, while consistency of original façade finishes can be important to the character and appearance of a group of buildings, especially in conservation areas. Where original masonry - or in modern buildings concrete or cladding - is exposed on exterior walls it should not be painted, rendered or over-clad.
- 2.17 Some brick and stucco finishes to exterior walls were traditionally painted. When repainting these, care should be taken to use sympathetic non-synthetic paints, and to replicate the original colour and texture or that of matching neighbours. Exterior stucco renders originated in the eighteenth century to emulate stonework, so non-white, bright white and gloss paint finishes are not normally appropriate; off-white or cream will normally be preferred.
- 2.18 Painting or rendering masonry can also cause physical damage to buildings, including by inhibiting the breathability of traditional natural materials or trapping moisture in walls. For these reasons synthetic emulsion paints and cement-based renders are generally inappropriate.

Windows

- 2.19 Original windows or those in the style of the original should be replaced or repaired with 'like for like' wherever possible in order to preserve the character of the property and the surrounding area. New windows should match the originals as closely as possible in terms of type, glazing patterns and proportions (including the shape, size and placement of glazing bars), opening method, materials and finishes, detailing and the overall size of the window opening.
- **Frames** - Where timber is the traditional window material, replacements should also be in timber frames. Similarly, where steel is the traditional window material, steel replacements will be sought wherever possible. Please note that uPVC windows are strongly discouraged for both aesthetic and environmental reasons.
 - **Glazing bars** - Where the original glazing bars are highly detailed and intricate, or contain stained glass or leaded panes these should be retained and repaired.

- **Energy efficiency** - Where windows are replaced they should have the lowest 'U-value'¹ feasible. Secondary glazing and other ways to improve energy efficiency while retaining attractive original features should be considered and further guidance can be found in the [Energy efficiency planning guidance for conservation areas](#) on the Council's website.
- **Listed building consent** – This will normally be required for replacement windows, secondary glazing and double-glazing in listed buildings
- **Conservation areas** - original single-glazed windows often contribute to the character and appearance of the area, and should be retained and upgraded. There may however be some instances where double-glazing can be installed in a design that matches the original, for instance sash windows or casements with large individual pane sizes, or in secondary glazing. In such cases, the window frame and glazing bars of the replacement windows should closely match the existing. Please check the [Article 4 Directions](#) for your conservation area.
- Further guidance on window alterations and the effect that this can have on energy efficiency and protecting heritage assets can be found on English Heritage's 'Climate Change and your Home' website: www.climatechangeandyourhome.org.uk



Doors and porches

- 2.20 The design of replacement doors should match the dimensions, proportions, joinery details, panelling and glazing of the original. Where timber replacement doors are proposed the timber should be sustainably sourced.
- 2.21 Characteristic doorway features such as porches should be retained where they make a positive contribution to the character of groups of buildings.

¹ A U-value is a measure of how effective a material is as an insulator. The lower the U-value is, the better the material is as an insulator.

3. Extensions: rear and side

Good practice principles

- 3.1 The following considerations should be reflected in an extension to ensure it is not insensitively or inappropriately designed and to ensure it does not spoil the appearance of the property or group of properties or harm the amenity of neighbouring properties. Proposals should:
- a. be secondary to the building being extended, in relation to its location, form, scale, proportions, dimensions and detailing;
 - b. be built from materials that are sympathetic to the existing building wherever possible
 - c. respect and preserve the original design and proportions of the building, including its architectural period and style;
 - d. respect and preserve existing architectural features, such as projecting bays, decorative balconies or chimney stacks;
 - e. respect and preserve the historic pattern and established townscape of the surrounding area, including the ratio of built to unbuilt space;
 - f. not cause a loss of amenity to adjacent properties with regard to daylight, sunlight, outlook, light pollution/spillage, privacy. Please ensure the extension complies with the 45 degree test and 25 degree test as set out in the [CPG for Amenity](#) – or demonstrate BRE compliance via a daylight test.
 - g. allow for the retention of a reasonably sized garden;
 - h. retain the open character of existing natural landscaping and garden amenity, including that of neighbouring properties, proportionate to that of the surrounding area.
 - i. allow for the retention of wildlife corridors, in particular at the end of streets

Rear extensions

- 3.2 A rear extension is often the most suitable form of extension to a house or flat. From the outset of a design for a rear extension, the general principles in paragraph 3.1 should be followed as well as the guidance below.

Height and depth of a rear extension

- 3.3 In order for a new extension to be subordinate to the original building, its height and depth should respect the existing common pattern of rear extensions at neighbouring sites, where they exist. As such, the following is advised:
- A single storey ground floor extension is generally preferable to those proposed at higher levels/floors, as extensions above ground floor tend to have greater negative impacts on neighbouring amenity. In cases where a higher extension is found to be appropriate, a smaller footprint will generally be required in order to mitigate any increase in visual mass and bulk, overshadowing and sense of enclosure that would be caused by the additional height of the extension.
 - Extensions that are higher than one full storey below roof eaves/parapet level, or that rise above the general height of neighbouring projections and nearby extensions, will be strongly discouraged. This is because such extensions no longer appear subordinate to the building.

Width of a rear extension

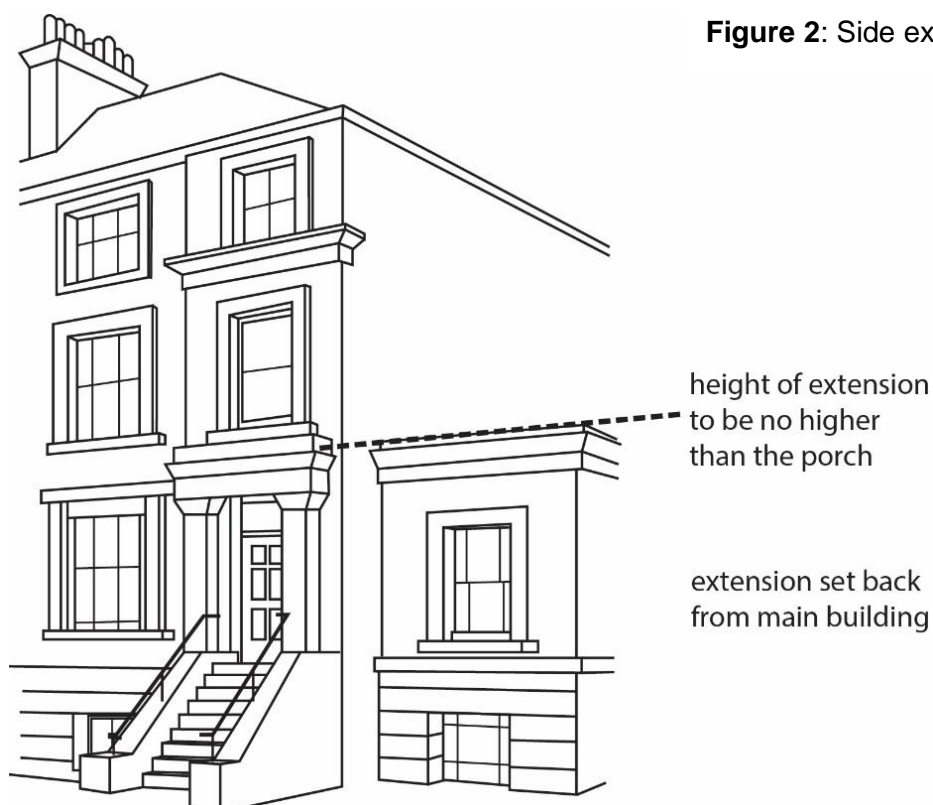
- 3.4 The width of a rear extension should be designed so that it is not visible from the street and should respect the rhythm of existing rear extensions in neighbouring sites.
- 3.5 Sometimes the rear of a building may be architecturally distinguished, either forming a harmonious composition, or visually contributing to the townscape. Where architectural merit exists, the Council will seek to preserve it where it is considered appropriate. Some of the Borough's important rear elevations are identified in conservation area statements, appraisals and management plans.

Conservatories

- 3.6 A conservatory is also a form of extension, but with glass as the predominant build material. As such, a conservatory should follow the general principles for assessment of normal extensions set out in paragraph 3.1 and also:
- respect and preserve existing architectural features, e.g. brick arches, windows etc;
 - Only in exceptional circumstances will conservatories be allowed on upper levels;
 - be of a high quality in both materials and design.
 - should not overlook neighbouring properties or create excessive light spillage to neighbouring sites, including to those in flats above.
 - Should not cause light pollution or excessive light spillage that would affect wildlife, particularly near sites identified for their nature conservation.
- 3.7 In order to minimise overlooking, opaque lightweight materials such as obscured glass may be necessary on façades abutting neighbouring properties. Also in order to minimise light pollution, it may be necessary to use solid lightweight materials, one-way glass or obscured glass.
- 3.8 Further guidance about artificial light pollution and how to mitigate its adverse impacts is provided in the Council's [CPG on Amenity](#) and for impacts on biodiversity in [CPG on Biodiversity](#)

Side extensions

- 3.9 Certain building forms may lend themselves to side extensions. Such extensions should be designed in accordance with the general principles set out in paragraph 3.1 and should also be:
- located adjacent to the side and rear elevations of the building;
 - subordinate to the original building in height and scale;
 - no taller than the porch; and
 - set back from the main building.



3.10 **Infilling of gaps:** In many streets in the north of the Borough houses have mature rear gardens and trees that can often be seen through gaps between buildings, which helps to soften the urban scene and provide visual interest.. As such, these gaps have a design value that will be taken into consideration when assessing a proposal. The infilling of gaps will not be considered acceptable where:

- significant views or gaps are compromised or blocked;
- the established front building line is compromised;
- the architectural symmetry or integrity of a composition is impaired;
- the original architectural features on a side wall are obscured; or
- access to the rear of a property is lost.

3.11 Where a property is located in a [conservation area](#), reference should be made to the relevant [conservation area statements, appraisals and management plans](#), which often identify important gaps and vistas that would not be appropriate to infill.

Example of a sensitively designed side infill extension to a home



4. Roofs, terraces and balconies

General principles

- 4.1 Rooflights, additional storeys, dormers, mansards, terraces, balconies and other roof alterations are likely to be **acceptable** where:
- There is an established form of roof addition or alteration to a terrace or group of similar buildings and where continuing the pattern of development would help to re-unite a group of buildings and townscape;
 - Alterations are architecturally sympathetic to the age and character of the building and retain the overall integrity of the roof form;
 - There are a variety of additions or alterations to roofs which create an established pattern and where further development of a similar form would not cause additional harm.
- 4.2 A roof alteration or addition is likely to be **unacceptable** in the following circumstances where there is likely to be an adverse affect on the skyline, the appearance of the building or the surrounding street scene:
- There is an unbroken run of valley roofs;
 - Complete terraces or groups of buildings have a roof line that is largely unimpaired by alterations or extensions, even when a proposal involves adding to the whole terrace or group as a co-ordinated design;
 - Buildings that already have an additional storey or mansard roof;
 - Buildings already higher than neighbouring properties where an additional storey would add significantly to the bulk or unbalance the architectural composition;
 - Buildings which have a roof line that is exposed to important London-wide and local views from public spaces;
 - Buildings whose roof construction or form are unsuitable for roof additions such as shallow pitched roofs with eaves;
 - Buildings designed as a complete composition where its architectural style would be undermined by any addition at roof level;
 - Buildings that are part of a group where differing heights add visual interest and where a roof extension would detract from this variety of form;
 - Where the scale and proportions of the building would be overwhelmed by additional extension.
- 4.3 Where the principle of an additional storey is acceptable, the more specific guidance set out below will apply. This advice is supplemented by more specific area-based advice as set out in the Council's **conservation area statements, appraisals** and **management plans** which set out our approach to preserving and enhancing such areas. Many of these appraisals and management plans are available for download on our [website](#)

Dormer windows

- 4.4 Roof dormers should be designed sensitively so they do not dominate the roof plane. This means they should sit within the roof slope so that the overall structure of the existing roof form is maintained. To do this, the following circumstances must be met:
- a. The pitch of the existing roof is sufficient to allow adequate habitable space without the creation of disproportionately large dormers or the raising of the roof ridge. Dormers should not be introduced to shallow-pitched roofs.
 - b. Dormers should be appropriately designed and subordinate in size to the main roof and host building – see figures 3a & 3b for general design principles. They should not be introduced where they cut through the roof ridge or the sloped edge of a hipped roof. They should also be sufficiently below the ridge of the roof in order to avoid projecting into the roofline when viewed from a distance. Usually a 500mm gap is required between the dormer and the ridge or hip as well as from the party wall and eaves to maintain an adequate separation (see Figures 3a & 3b). However this distance should not be treated as a maximum entitlement and sometimes greater distances will be required to provide a smaller dormer to ensure that it is not too bulky or prominent as a roof feature. Full-length dormers, on both the front and rear of the property, will be discouraged to minimise the prominence of these structures.
 - c. Dormers should not be introduced where they interrupt an unbroken roofscape.
 - d. In number, form, scale and window pane size, the dormer and window should relate to the façade below and the surface area of the roof. They should appear as separate small projections on the roof surface. They should generally be aligned with windows on the lower floors and be of a size that is clearly subordinate to the windows below. In some very narrow frontage houses, a single dormer placed centrally may be preferable. It is important to ensure the dormer cheeks (window surrounds) are no wider than the structure requires as this can give an overly dominant appearance. Deep fascias and eaves gutters should be avoided.
 - e. Where buildings have a parapet the lower edge of the dormer should be located below the parapet line
 - f. Materials should complement the main building and the wider townscape and the use of traditional materials such as timber, lead and hanging tiles are preferred.
- 4.5 Please note that the presence of unsuitably designed new or altered dormers on neighbouring properties will not serve as a precedent for further development of the same kind.

Figure 3a: Front dormer window

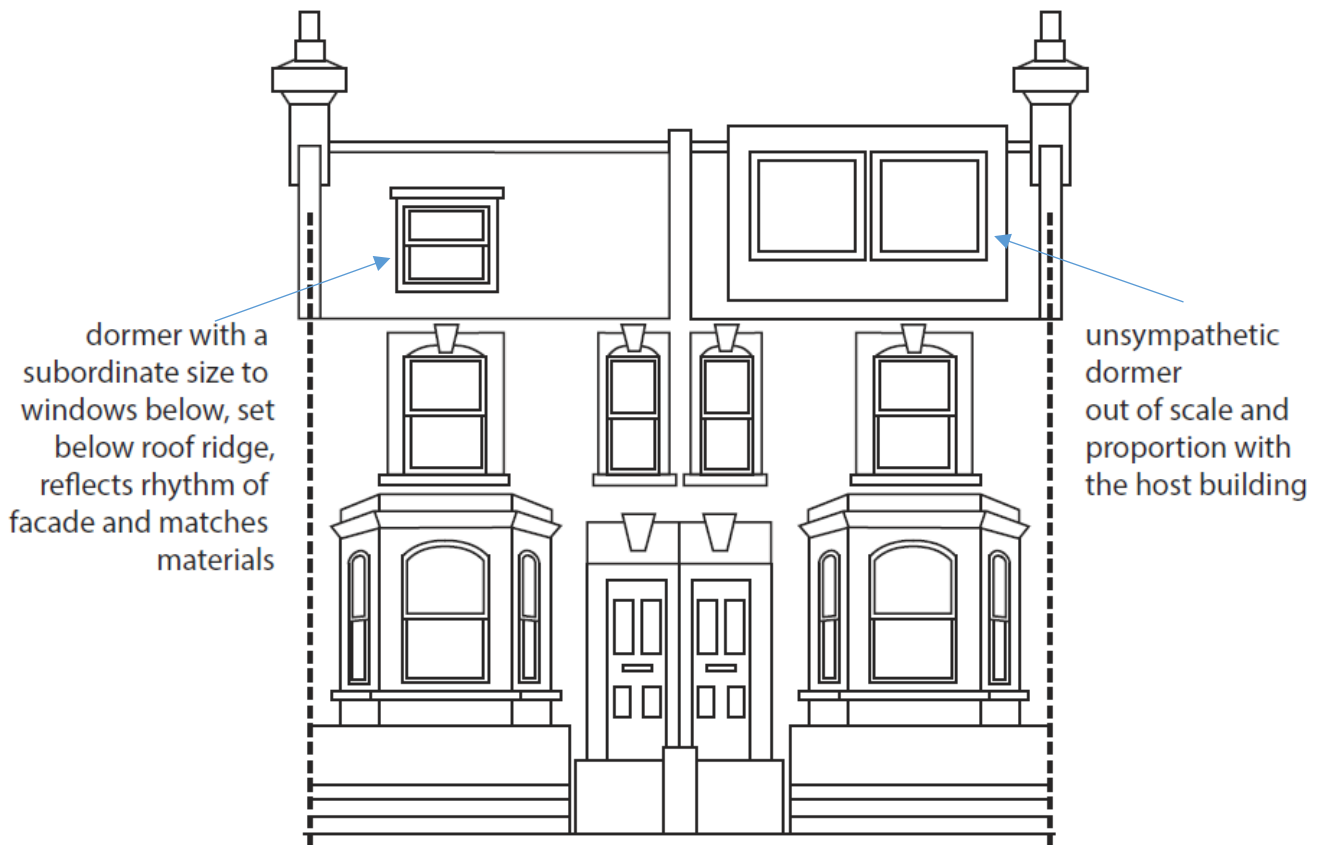
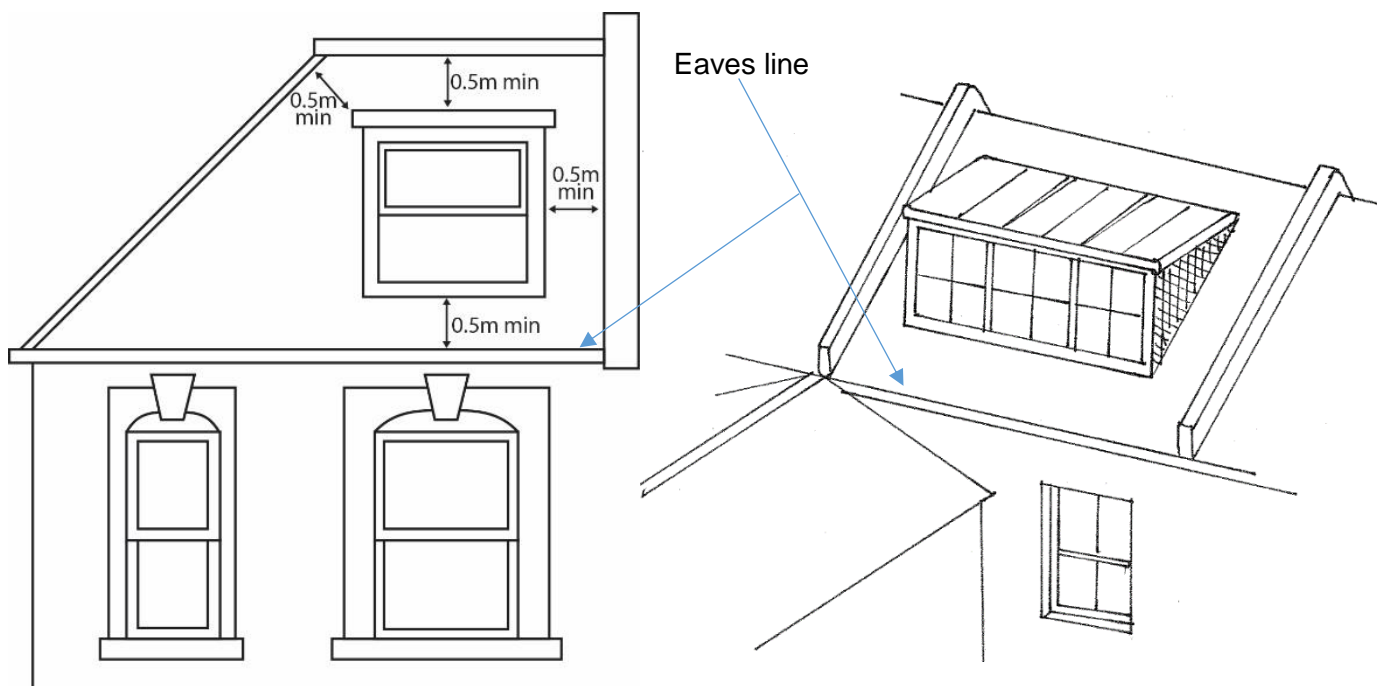


Figure 3b: Rear dormer window

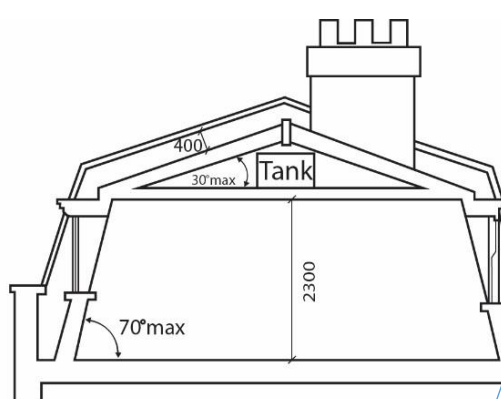


Mansards

4.6 A mansard is a traditional type of roof extension normally associated with Georgian or Victorian buildings which have a front parapet wall and valley roof or flat roof structure behind. Where mansards are an established feature within a group of buildings or townscape, they will be considered as an acceptable addition. In general, there are 2 types of mansard roof form:

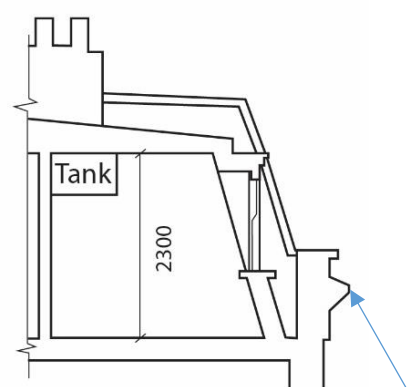
- **A true mansard** : where the lower slope is at a steeper angle than the upper, and the upper slope is visible (figure 4a)
- **Flat topped mansard**: where the upper slope of a pitch is below a 5° angle or totally flat (figure 4b)

Figure 4a: True Mansard



Parapet wall: A low wall or railing that is built along the edge of a roof, balcony or terrace for protection purposes.

Figure 4b: Flat topped Mansard



Cornice: The topmost architectural element of a building, projecting forward from the main walls, originally used as a means of directing rainwater away from the building's walls.

4.7 It should be noted that other forms of roof extensions may also be appropriate in situations where there is a strong continuous parapet and the extension is sufficiently set back or where they would match other existing sympathetic roof extensions already in the terrace.

4.8 As well as the general principles set out in paragraphs 4.1 and 4.2, there are four main features to consider when designing a mansard roof extension. These are:

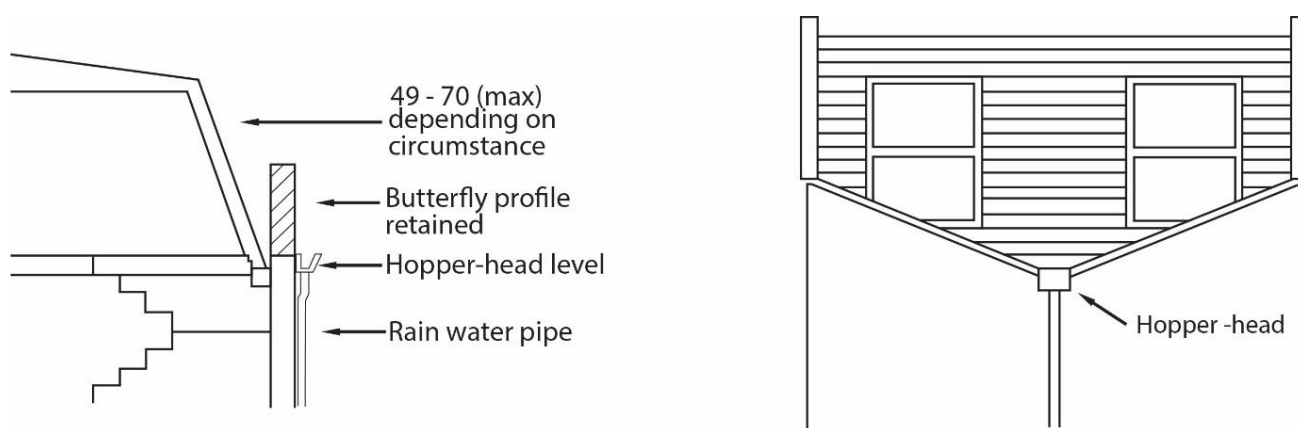
- i. **Height** - to avoid excessive additional height to the host building, the mansard should not exceed the height illustrated in figures 4a and 4b.
- ii. **Pitches and profile** - The lower slope (usually 60-70°) should rise from behind and not on top of the parapet wall, separated from the wall by a substantial gutter. Any original cornice, parapet and railing details should be retained and where deteriorated or lost, should be incorporated into the design of the new roof extension(s). Visible chimney stacks should be retained and increased in height, where they are part of the character of the property. Only party walls with their chimney stacks and windows should break the plane of the roof slope, and these should be accommodated in a sensitive way and be hidden as far as is possible.
- iii. **External covering** – Materials should be of the highest quality, see 'materials' section

- iv. **Windows** – Depending on the context and design of the mansard roof, windows or rooflights should be confined to the mansard's lower slope. It is preferable that windows project at a right angle similar to a dormer with timber sash openings; though rooflights or flush windows to the lower slope will be acceptable where the site context or design allows it.

Valley or butterfly roofs

- 4.9 On properties with a 'valley' or 'butterfly' roof where a mansard extension is considered acceptable in principle and in accordance with the guidance set out in paragraphs 4.1 and 4.2, then the rear v-shaped parapet should be retained. The new roof addition should start from behind the parapet at existing hopper-head level, forming a continuous slope of up to a maximum of 70° (see Figure 5). In this context, it is usually more appropriate to introduce conservation-style roof lights, which are flush with the roof slope, rather than dormers. Terraces and additional railings will not usually be acceptable.

Figure 5: Mansard for a butterfly roof



Butterfly roofs

Hopper head level: The level at which the 'hopper head' (a square or funnel shaped receptacle to connect rainwater or waste pipes to a down-pipe) is positioned.

Other types of roof extension

- 4.10 On some contemporary buildings a less traditional form of roof addition may be more appropriate. In such cases, proposals should still have regard for the following general principles:

- The visual prominence, scale and bulk of the extension;
- Use of high quality materials and details;
- Impact on adjoining properties both in terms of bulk and design and amenity of neighbours, e.g. loss of light due to additional height;
- Sympathetic design and relationship to the main building.

Balconies and roof terraces

4.11 Balconies and roof terraces can provide valuable amenity space for flats that would otherwise have little or no private exterior space. However, they can also cause nuisance to neighbours. Potential problems include overlooking, overshadowing, noise, light spillage and security. Please refer to the [CPG n amenity](#) for more details.



4.12 Balconies and terraces should complement the elevation upon which they are to be located. Consideration should therefore be given to the following:

- detailed design to reduce the impact on the existing elevation;
- careful choice of materials and colour to match the existing elevation;
- possible use of setbacks to minimise overlooking – a roof terrace need not necessarily cover the entire available roof space;
- possible use of screens or planting to prevent overlooking of habitable rooms or nearby gardens, without reducing daylight and sunlight or outlook;
- preference for screens to be 1.7m high, made of timber, and not be visually permeable
- need to avoid creating climbing opportunities for burglars.

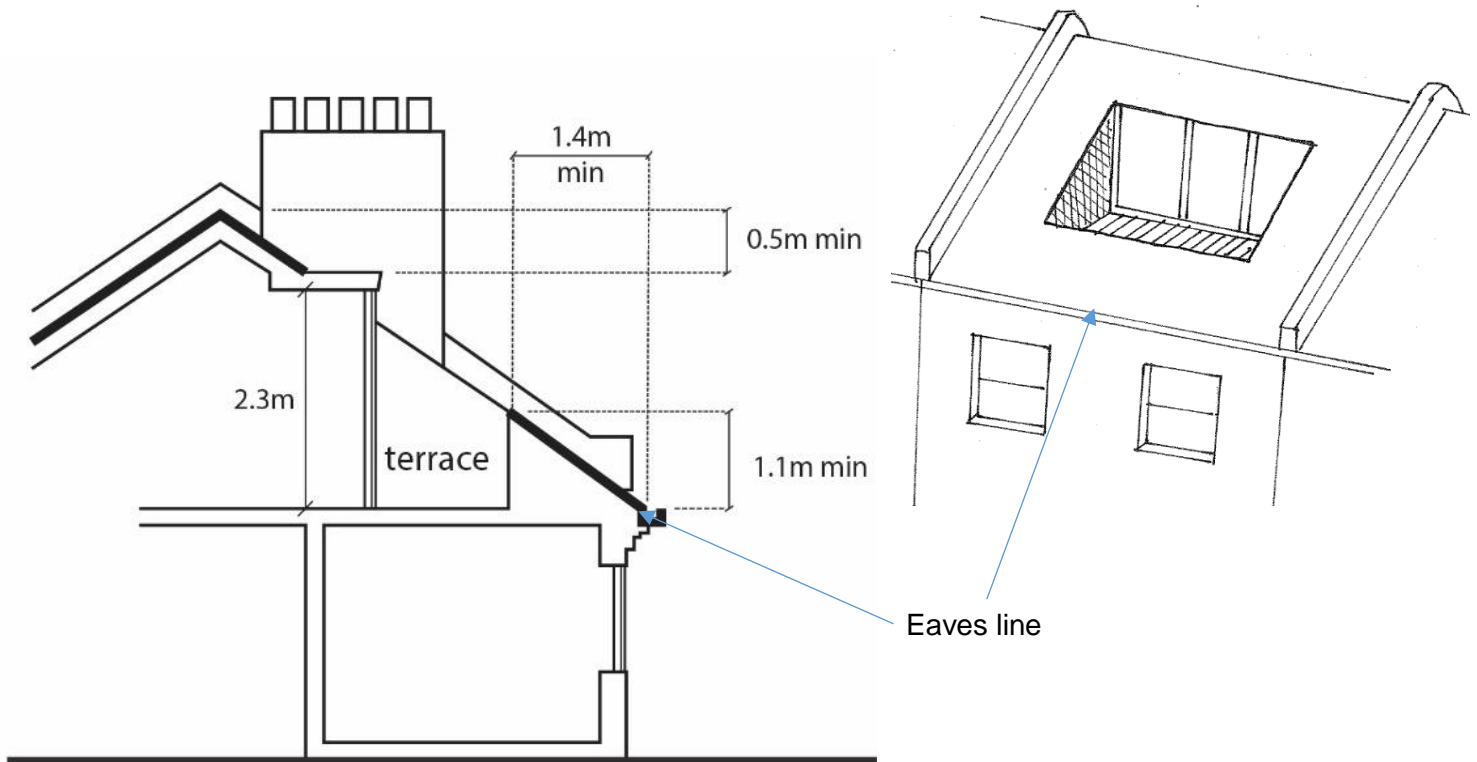
Roof level Terraces

4.13 A terrace area provided at roof level should be set back behind the slope of a pitched roof in accordance with Figure 6, or behind a parapet on a flat roof. A roof terrace should normally comply with the following criteria:

- The dimensions of the roof should be sufficient to accommodate a terrace without adversely affecting the appearance of the roof or the elevation of the property.
- A terrace will only normally be acceptable on the rear of properties.
- It is normally inappropriate to set back a mansard roof to provide a terrace.
- It should not result in the parapet height being altered, or, in the case of valley/butterfly roofs, the infilling of the rear valley parapet by brickwork or railings.
- Any handrails required should be well set back behind the line of the roof slope, and be invisible from the ground. Glazed balustrades around balconies or roof terraces are unlikely to be acceptable on traditional buildings because they can appear unduly prominent
- It should not result in overlooking of habitable rooms of adjacent properties.

4.14 When an inset roof terrace is provided within the slope of a pitch as in Figure 6, the adjacent tiles or slates should be kept unbroken above the eaves. The width of the terrace should be no wider than a dormer opening. A terrace may be acceptable behind an existing parapet. Where the height of the parapet is less than 1.1m, a railing will be required to fulfil the height requirement set by Building Regulations.

Figure 6: Inset roof terrace



Roof lights

4.15 Roof lights can have an adverse impact upon the character and appearance of buildings and streetscapes. This occurs where:

- they are raised above the roof slope rather than being flush with the roof profile, or
- they are an incompatible introduction into an otherwise un-cluttered roofscape, or
- they conflict with other architectural roof elements, e.g. gables and turrets.

4.16 Roof lights should be proportioned to be significantly subordinate both in size and number and should be fitted flush with the roof surface. Some properties, particularly listed buildings and those within conservation areas with prominent roof slopes may be so sensitive to changes that even the installation of roof lights may not be acceptable.



- 4.17 Please note that rooflights on lower floors can have an impact on neighbouring amenity through the creation of light spillage from them. This is particularly relevant where a building is divided into flats; where neighbouring habitable room windows are present directly above the proposed rooflights to a rear extension. As such, rooflights should be positioned at least 1m from the building line below windows to habitable rooms, and / or obscure glazing be inserted in order to minimize any glare!

Solar panels

- 4.18 The installation of solar panels falls within the permitted development rights of houses and flats, under Schedule 2, Part 14, Class A of the [Town and Country Planning \(General Permitted development\) \(England\) Order 2015](#). If the property is within a [Conservation Area](#), there is a restriction on where solar panels can be placed. Please refer to the [Planning Portal website](#) for further details about PD rights and solar panels. Additionally, if the property is within a Conservation Area, please refer to the necessary appraisal or any [Article 4 Directions](#) which may apply.
- 4.19 Solar panels should be sited so as to maximise efficiency but minimise their visual impact and glare, for example utilising valley roofs and concealed roof slopes.
- 4.20 Further information about solar panels and other renewables can be found in the [CPG on Efficiency and adaptation](#)



Green roof installation

- 4.21 The installation of green roofs are a welcome attribute to homes in Camden on a rear extension. They are beneficial to and encourage biodiversity but also help to mitigate the impacts of climate change and can contribute to improving air quality. Generally, planning permission is not required for those on flat roofs which are concealed by a parapet and where there is no increase in height or bulk of a roof.
- 4.22 Further information about the installation of a green roof is provided in our CPG on Energy efficiency and adaptation.



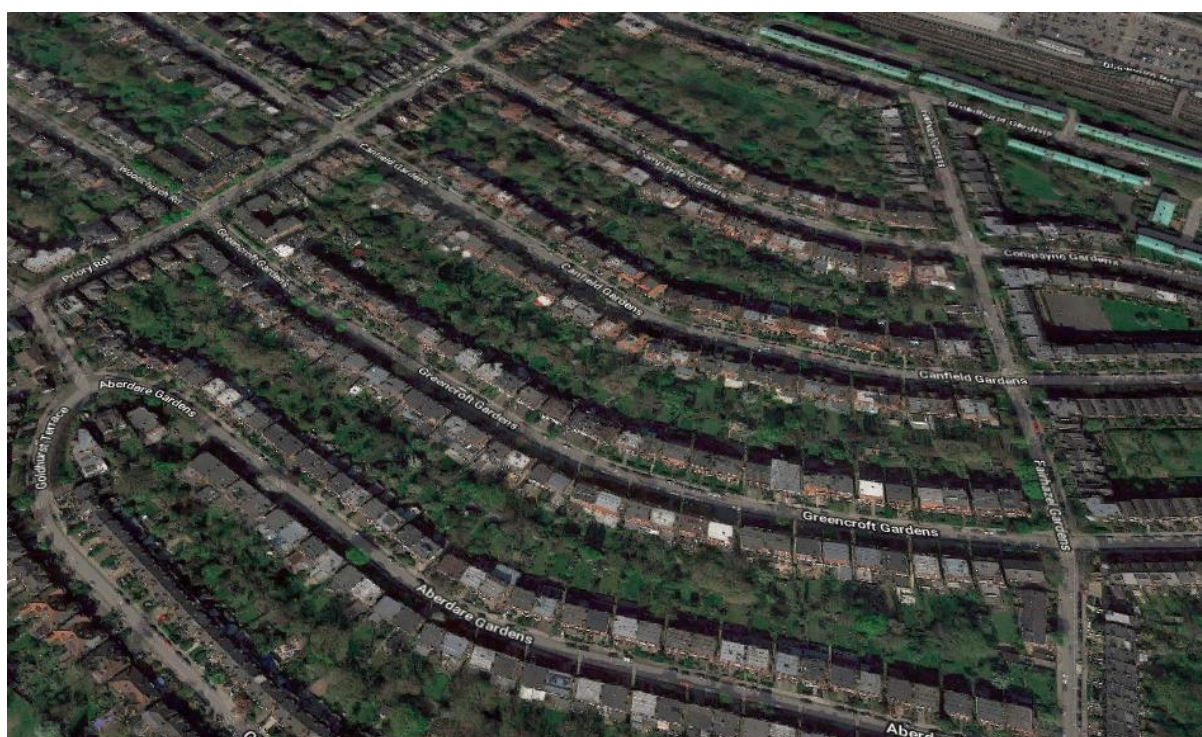
5. Gardens, garden buildings and biodiversity

5.1 The front, side and rear gardens of Camden's urban townscape provide an extremely important asset to the borough's attractiveness and character. They also contribute to the setting of individual buildings and Conservation Areas. There are many positive health outcomes both from taking part in gardening activities and through gardens, trees and landscaping creating pleasant environments.



5.2 Front and rear gardens have become particularly prone to development pressure where loss of vegetation has resulted in the erosion of local character and amenity, biodiversity and their function as a sustainable drainage system to reduce local storm water run off.

5.3 The cumulative contribution of gardens with landscaping and trees towards Camden's green infrastructure has become even more significant over the last few decades because of their contribution to mitigating the effects of climate change which includes overheating. Additionally, gardens create green corridors for wildlife, aid the improvement of air quality and provide natural drainage for rainfall.



This aerial photo of a relatively densely developed part of West Hampstead illustrates the importance of rear gardens in supporting trees and vegetation throughout the borough and forming part of Camden's green infrastructure

Front gardens



5.4 The design of front gardens and forecourt parking areas make a large impact to the character and attractiveness of an area and is particularly important to the streetscene. The design of front gardens is an individual choice, but consideration for sustainable drainage (SUDS) will be required. See para 5.13 for further information. The [Royal Horticultural Society](#) provides a very useful guides for planting and ideas for garden design which can be downloaded [here](#).

5.5 A front garden and other similar forecourt spaces should:

- consider a **balance between hard and soft landscaping**. Where changes take place, no more than 50% of the frontage area should become hard standing. Where parking areas form part of the forecourt, enough of the front boundary enclosure should be retained to allow for a visual definition of the forecourt from the street and to provide screening;
- retain trees and vegetation which contribute to the character of the site and surrounding area;
- integrate planting into front garden structures where possible, e.g. bin and bike stores;
- retain or re-introduce original surface materials and boundary features, such as decorative paving, walls, railings and hedges where they have been removed, especially in Conservation Areas. If new materials are to be introduced they should be complementary to the setting; and
- only include the excavation of lightwells as a means of providing access or daylight to basements where these form part of the existing character of the street. Please refer to the [CPG for Basements](#) for further information about lightwells.



Paving of front gardens

5.6 The majority of the borough, as with London as a whole, is primarily underlain by clay soils, with the exception of higher ground on the north of the borough on Hampstead Heath. This means the soil beneath paving permits moderate infiltration. An on-site soakaway using partial, and no, infiltration methods set in permeable pavements is the preferable method by which the laying of hardstanding should be approached.



5.7 **Permitted development for hardstanding:** The General Permitted Development Order no longer allows the creation of more than 5 square metres of impermeable surfaces at the front of a dwelling house that would allow uncontrolled runoff of rainwater from front gardens onto roads without first obtaining planning permission. Changes to frontages incorporating hardstandings may also be affected by [Article 4 Directions](#). Article 4 Directions are issued by the Council in circumstances where specific control over development is required, primarily where the character of a conservation area will be threatened.

5.8 Please refer to government [guidance on the permeable surfacing in front gardens](#). For helpful guides about the design, construction and maintenance of concrete block permeable pavements, please refer to www.paving.org.

Front boundary treatments

5.9 Front boundary treatments are a prominent element in a streetscene. As such, we will expect the design, detailing and materials used to provide a strong positive contribution to the character and distinctiveness of the area that will complement the property and integrate it into the streetscene.



5.10 Boundary walls, fences and railings form the 'built' elements of boundary treatments. They should be considered together with the potential for elements of soft landscaping. Existing hedges can contribute significantly to the streetscape and biodiversity of an area. For example, we encourage the combination of low brick boundary walls and hedges as a boundary treatment. Boundary treatments should:

- delineate the private front garden area from the public highway;
- contribute to qualities of continuity and enclosure within the streetscene; and
- provide security and degree of privacy.

5.11 With regards to boundary walls, fences and railings, we will expect that:

- repairing boundary walls, fences and railings is considered before they are replaced;

- they make a positive contribution to the character of the property and streetscene;
- designs are effective for their purpose
- the design and construction does not damage any trees within the curtilage of the property or those in close proximity that may have their root system running into your curtilage.

5.12 **Planning permission:** This is not required for the erection of a boundary treatment that is 1m or under in height where it abuts the highway or under 2m along any other boundary. Height is measured from natural ground level and should include any additional structure you may wish to attach to the top of a boundary treatment, such as a trellis.

5.13 **Listed buildings and conservation areas:** Listed building consent or planning permission may be required. For boundary treatments around listed buildings or in a conservation area we will expect:

- the elements are repaired or replaced to replicate that original design and detailing and comprise the same materials as the original features;
- that the works preserve and enhance the existing qualities and context of the site and surrounding area

Use of SuDS (sustainable drainage systems)

5.14 Development should not increase impermeable (hard) surfaces and where possible surface water should be reduced by using Sustainable Drainage Systems. SuDS incorporate permeable surfaces to allow water to soak into the subsoil, rather than being diverted into the stormwater system. Infiltration SuDS are more appropriate in the parts of the borough north of Euston Road due to ground conditions and level of the water table. Methods for choosing the appropriate design of a SuDS are provided in "Responsible rainwater management around the home" available from www.paving.org.uk.

5.15 Please note that the Council is seeking to apply car-free development throughout the Borough in line with Policy T2 of the Local Plan, although there are limited circumstances in which the on-site parking provision may be acceptable. Areas of paving are often cited as a contributor to local flooding issues. Where the Council is satisfied that parking is necessary to support a development, applicants should consider how the rate of surface water run off from these areas can be effectively managed..

Trees

5.16 When selecting trees to plant in your garden there are a number of things to think about to ensure your choice of tree suits the place in which it is planted and will live. Initial considerations should be:

- the soil type
- the degree of sun or shade
- the size of the garden in relation to the ultimate height and canopy spread
- the proximity of buildings
- the intended purpose of the tree, e.g screening, wildlife habitat, visual attractiveness or a combination of these.

5.17 Ultimately, it is about selecting **the right tree for the right place**. The larger gardens of Hampstead, West Hampstead and other parts of the borough can support larger canopy trees such as Planes, Lime, Oak and Maple species.

- 5.18 Space: Where space is present, it is preferable that larger canopy trees are planted, particularly given the range of benefits they provide such as provision of character and setting for a number of conservation areas. For smaller gardens there are a number of websites providing lists of suitable trees for information and inspiration e.g
- <https://www.rhs.org.uk/advice/profile?PID=117>
 - <https://www.gardenersworld.com/plants/top-trees-for-small-gardens/>
- 5.19 The Council's **CPG on Trees** contains more information about trees in conservation areas and Tree Preservation Orders (TPOs).

Rear gardens

- 5.20 Rear gardens are important because they:
- form part of the semi-public domain where they are overlooked by properties from which occupants of surrounding buildings benefit from the outlook.
 - contribute to the character of an area in terms of the relationship between buildings and spaces and the resulting openness or sense of enclosure
 - provide a sense of the greenery where they can be viewed through gaps between buildings from the street
 - provide trees and trees and vegetation which can assist with cooling and air filtration
 - provide a sense of visual separation and privacy
 - soften the impact of buildings and integrate them into their setting
 - play a significant role in maintaining the biodiversity of the borough (see [CPG on Biodiversity](#) and [Camden's Biodiversity Action Plan](#)). In particular groups of trees and vegetation along the rear boundaries of a garden will provide important wild life corridors within existing development patterns.

Sheds and other garden buildings (outbuildings)

- 5.21 The construction of garden buildings, including sheds, greenhouses and other structures in rear gardens and other undeveloped areas can often have a significant impact upon the amenity, biodiversity and character of an area. They may detract from the generally 'soft' and green nature of gardens and other open space, contributing to the loss of amenity for existing and future residents of the property.
- 5.22 Large garden buildings may also affect the amenity value of neighbours' gardens, and if used for purposes other than storage or other domestic uses, may intensify the use of garden spaces and cause loss of amenity through overlooking, overshadowing and noise nuisance.
- 5.23 Development in rear gardens should:
- ensure the siting, location, scale and design of the proposed development has a minimal visual impact on, and is visually subordinate within, the host garden.
 - not detract from the open character and garden amenity of neighbouring gardens and the wider surrounding area
 - use suitable soft landscaping to reduce its impact
 - ensure building heights will retain visibility over garden walls and fences
 - ensure the size of the outbuilding will not result in excessive loss of garden amenity space
 - ensure the siting of the outbuilding will not harm existing trees of high amenity value
 - use materials which complement the host property and the overall character of the surrounding area. The construction method should minimise any impact on trees (also see [CPG on Trees](#)), or adjacent structures
 - address any impacts of extensions and alterations upon water run-off and groundwater flows, both independently or cumulatively with other extensions, and demonstrate that the impact of the new development on water run-off and groundwater flows will be negated by the measures proposed. Reference should be made to [CPG on Water and flooding](#).

Biodiversity

5.24 Biodiversity is the term for describing the biological composition of an area. This will include all animal and plant life and process by which they all function together. In accordance with Local Plan policy A3, Camden will seek to improve and enhance its biodiversity through all planning proposals from public realm to housing. The [Council's CPG on Biodiversity](#) sets out a table of Design Opportunities (appendix 2) which can be adopted for incorporating biodiversity into a site; whilst the [CPG on Trees](#) sets out information about diversity of species.



5.25 Recent research such as the BUGS project (Biodiversity in Urban Gardens in Sheffield)² carried out by Sheffield University and the Royal Horticultural Society's Plants for Bugs Project demonstrate the important role of gardens in supporting biodiversity in urban areas.

Gardens

5.26 Within front and rear gardens, there is opportunity to improve and incorporate biodiversity by the simple planting of flowers that attract butterflies, bees and other beneficial insects; or the installation of fences which allow hedgehogs to run in between neighbouring gardens.

5.27 When selecting plants to promote biodiversity in your garden, in general, *native* plants are best chosen followed by *near natives* and then exotics which can extend the flowering season and provide an added resource late in the year for some types of insects such as solitary bees. Overall the differences between these categories is not large, and plenty of wildlife will be supported by all three. What is of importance is maximising the volume of planting wherever possible

5.28 Other aspects of gardens which support biodiversity are trees and larger shrubs which provide cover for nesting birds and food sources; ponds planted to encourage frogs; toads and other insects; areas of longer grass and vegetation, compost heaps and dead wood piles.

Green walls and green roofs

5.29 Please refer to the [CPG on Energy Efficiency and adaptation](#) for technical guidance on incorporating green walls and roofs.



² <http://bugs.group.shef.ac.uk/>