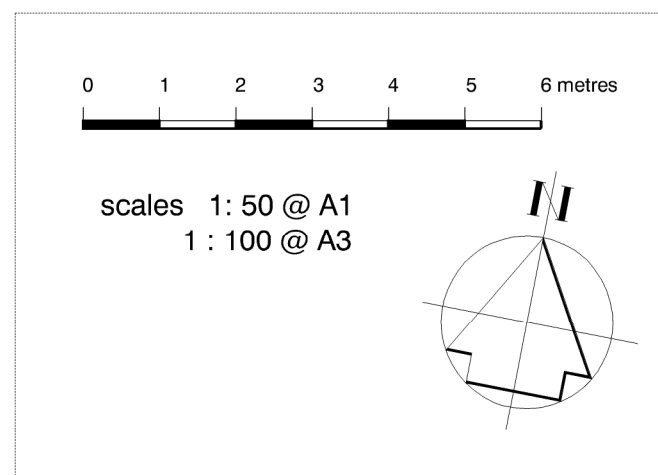




rear elevation as proposed



east (flank) elevation as proposed



elevations as proposed

DVM ARCHITECTS		
<small>4a Murray Street . London . NW1 9RE Telephone 0207 485 2121 . Facsimile 0207 267 2527 e-mail: studio@dvmarch.com</small>		
<small>Client</small> Christopher Ronus		
<small>Project</small> Flat 1 50 Compayne Gdns London NW6 3RY		
<small>Title</small> Rear + Flank Elevations as proposed		
<small>Scale</small> 1:50	<small>Date</small> 20.07.20	<small>Job No.</small> 1897
<small>Drawing No.</small> 1897-K15	<small>Rev.</small> A	
<small>All dimensions are to be checked on site. © This drawing is copyright and remains the property of David & Victoria Mercer at all times and may not be reproduced in part or whole without written consent.</small>		