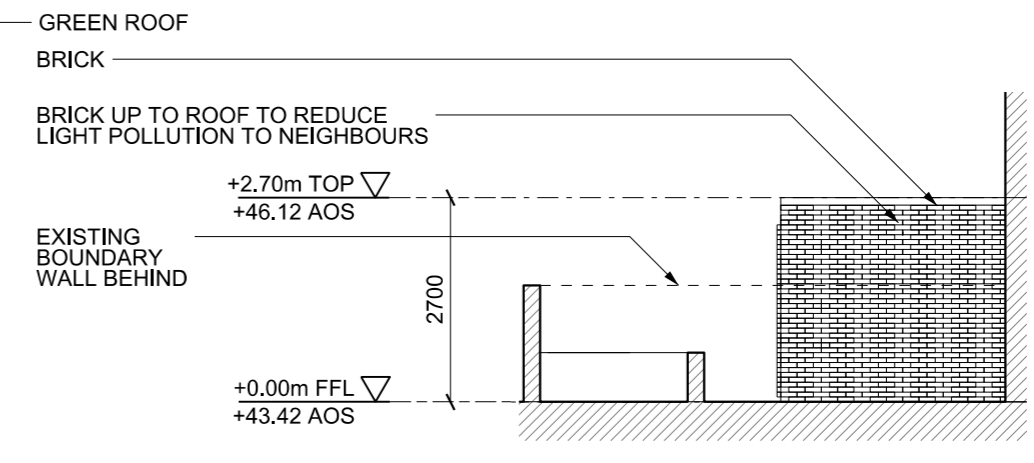


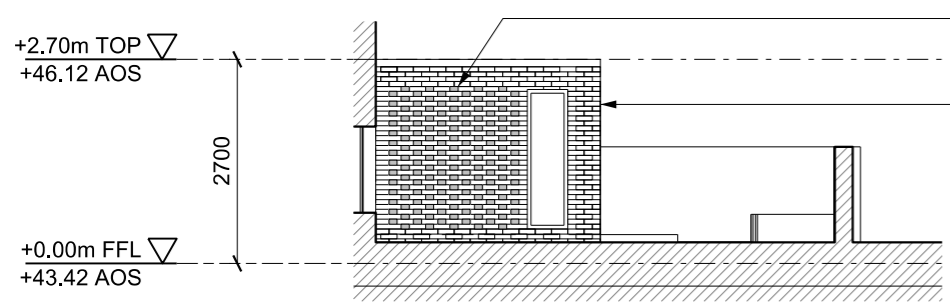
01

Longitudinal



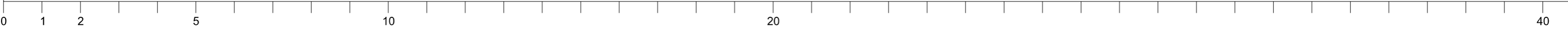
03

Rear Extension Side Elevation



02

Rear Extension Side Elevation



The drawings show design intent only. All dimensions to be checked on site prior to construction or production. Construction details to be confirmed by contractor/manufacturer by submitting shop drawings for designer's approval.

Design/drawing is not to be scaled for production and construction purposes.

All discrepancies and omissions on site must be reported to designer for their comments or approval prior to commencing work.

All structural design by engineer or contractor, Architects drawings for coordination and set-out only.

All electrical, lighting, HVAC, plumbing and ICT designs to be by engineer or contractor. Architects drawings for coordination and set-out only.

Designs are subject to approval by statutory authorities and any necessary alterations should be made if required to comply with statutory requirements.


All design concepts and drawings are the property of Collective Works LLP. No reproductions, adaptations and/or copies may be made without written consent.

© copyright Collective Works LLP, all rights reserved 2020

Drawing Purpose		For Planning			
Drawn	TT	Checked	KH	Authorised	KH
Revision	Date	Description			
-	10/07/2020	For Planning			

Notes

Architect
Collective Works LLP
 60 Grays Inn Road, Unit 2.01,
 London WC1X 8LU



info@collectiveworks.net
 www.collectiveworks.net

Project	0172 Compayne Gardens 9 Compayne Gardens London NW6 3DG		
Client	Nicola & Kieron O'Keefe		
Title	Proposed Sections		
Number	CW-0172-310	Scale	1:100
Revision	-		