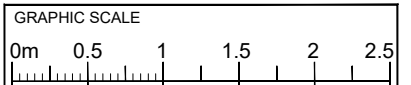
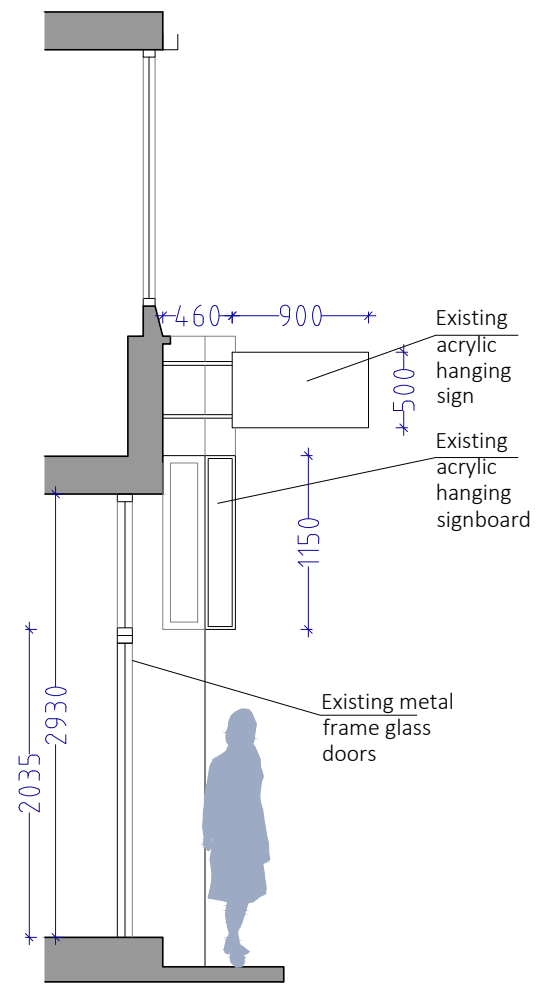
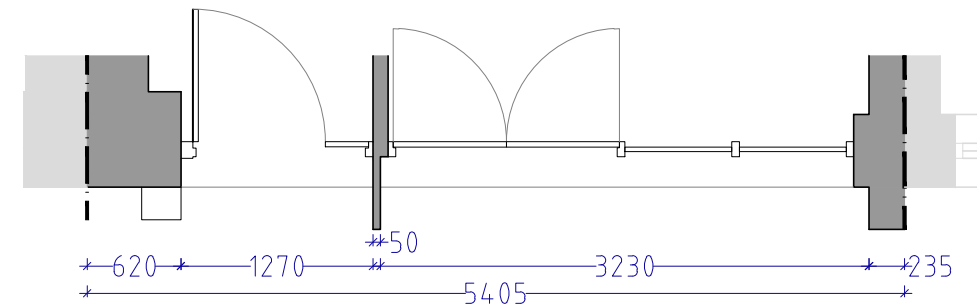
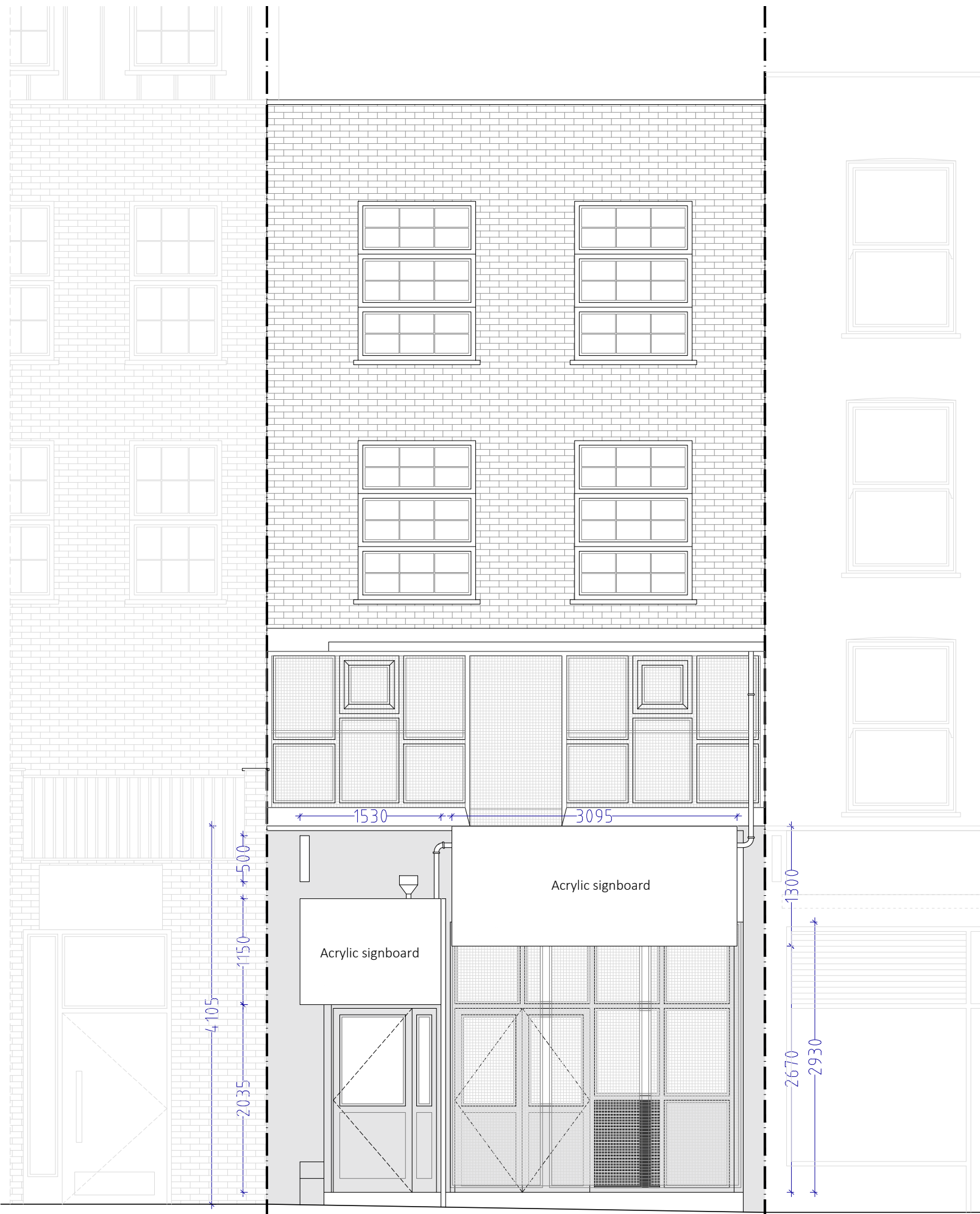


PLEASE NOTE

1. All dimensions to be verified on site.
2. All dimensions are in millimetres.
3. No work shall commence until all approvals and agreements have been obtained. These include, Planning, Building Regulations, Thames Water and Party Wall.
4. The Copyright of this drawing belongs to Projection Architects Ltd.



NOTES:



PROJECT		SHOPFRONT FOR A COFFEE SHOP	
ADDRESS		115 Hampstead Rd London NW1 3EE	
CLIENT		MR. CHARLES WILLIAM	
TITLE		Existing Shopfront	
DATE	08/07/2020	PROJECT NUM:	P-20.025
SCALE	1/50 (@ A3)	DRAWING NUM:	A-01
REV.	C	STATUS	PL