

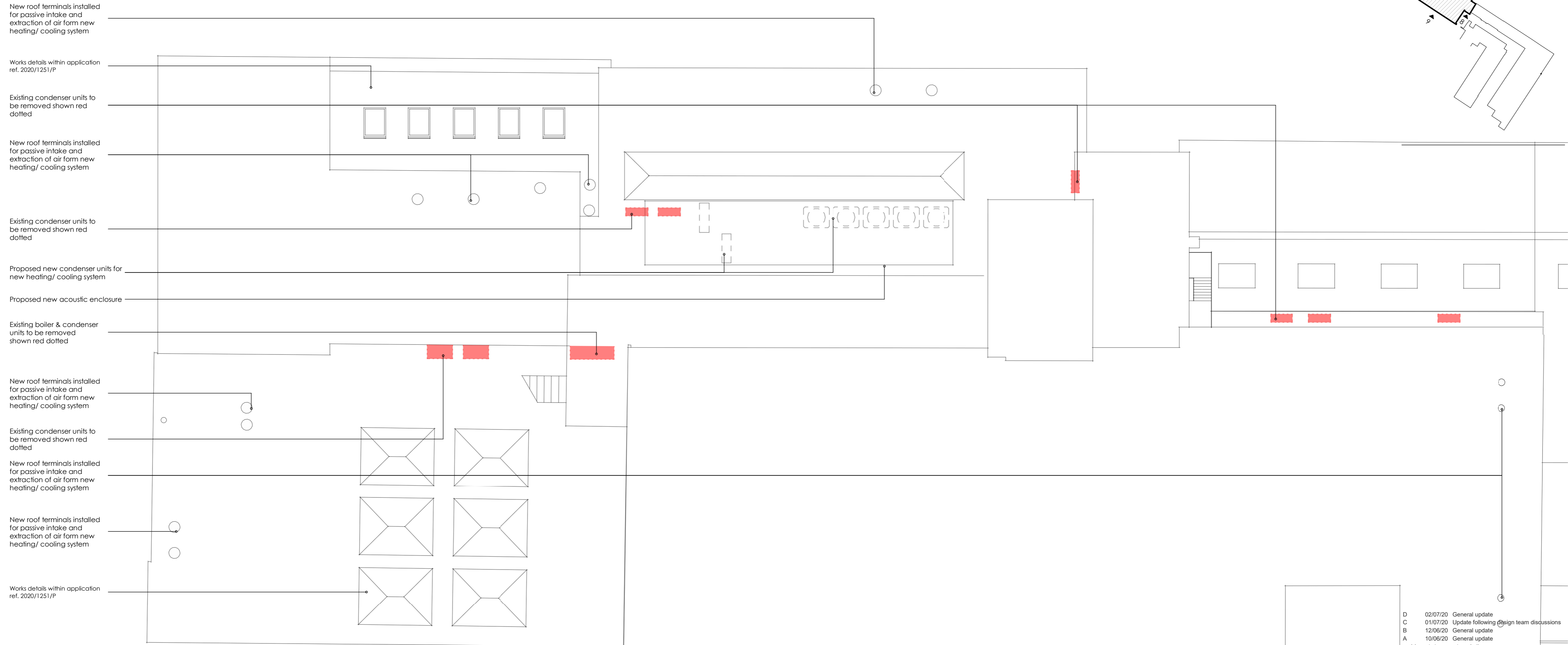
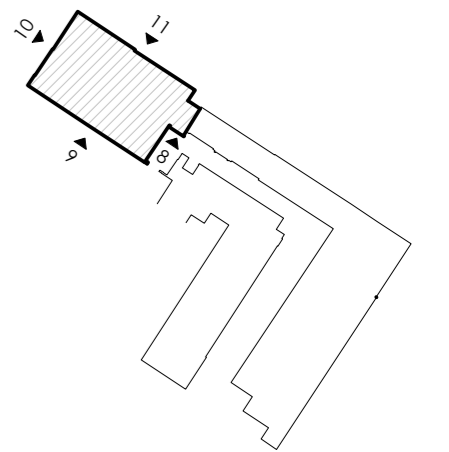
0 1 2 3 4 5

VISUAL SCALE (m) 1:100

NOTE:
ALL DIMENSIONS MUST BE CHECKED ON SITE AND NOT SCALED FROM THIS DRAWING.
FOR USE IN PRECISE NAMED LOCATION ONLY. COPYRIGHT RESERVED.

SITE KEY PLAN

UTOPIA VILLAGE, LONDON



New roof terminals installed for passive intake and extraction of air from new heating/ cooling system

Works details within application ref. 2020/1251/P

Existing condenser units to be removed shown red dotted

New roof terminals installed for passive intake and extraction of air from new heating/ cooling system

Existing condenser units to be removed shown red dotted

Proposed new condenser units for new heating/ cooling system

Proposed new acoustic enclosure

Existing boiler & condenser units to be removed shown red dotted

New roof terminals installed for passive intake and extraction of air from new heating/ cooling system

Existing condenser units to be removed shown red dotted

New roof terminals installed for passive intake and extraction of air from new heating/ cooling system

New roof terminals installed for passive intake and extraction of air from new heating/ cooling system

Works details within application ref. 2020/1251/P

| | | |
|---|---------------|--|
| D | 02/07/20 | General update |
| C | 01/07/20 | Update following design team discussions |
| B | 12/06/20 | General update |
| A | 10/06/20 | General update |
| | revision date | description |

PLANNING

project title
Utopia Village, Primrose Hill,
London

drawing title
PROPOSED ROOF PLAN

first issued 25/02/20 drawn HH scale @ A2 1:100

job/drawing no/revision

19094 - PP2033 - D

The Studio, 70 Church Road, Wheatley, Oxford, OX33 1LZ
01865 873936 | info@andersonorr.com | www.andersonorr.com

Anderson Orr
Architects