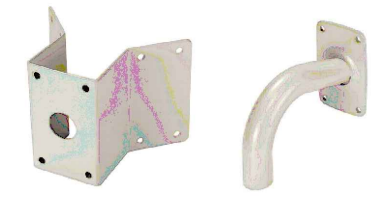
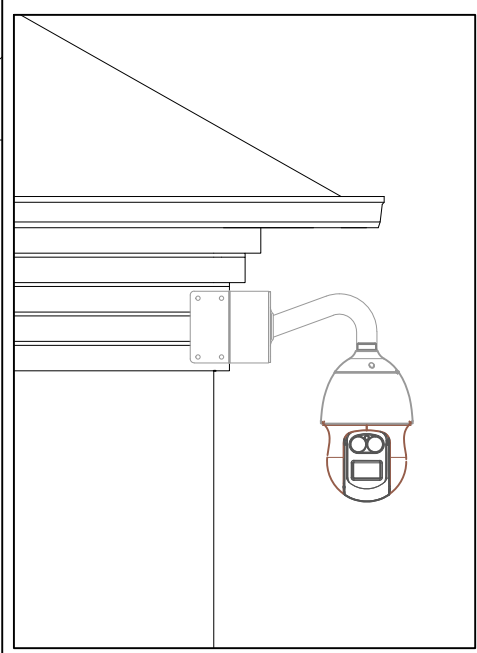
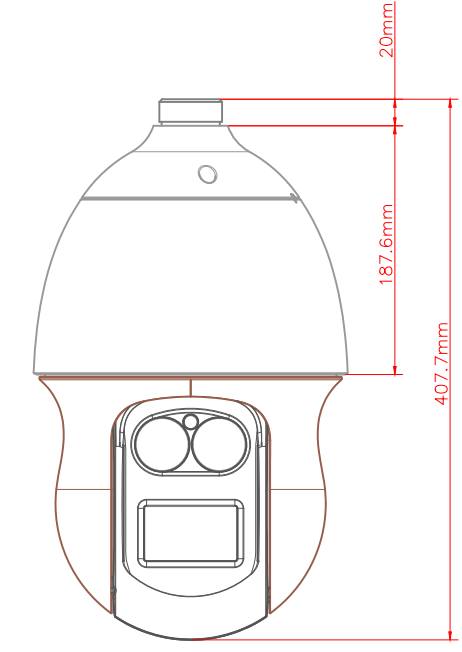
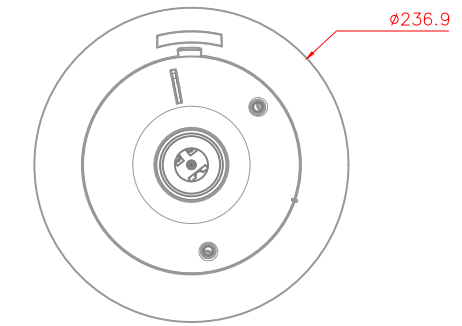


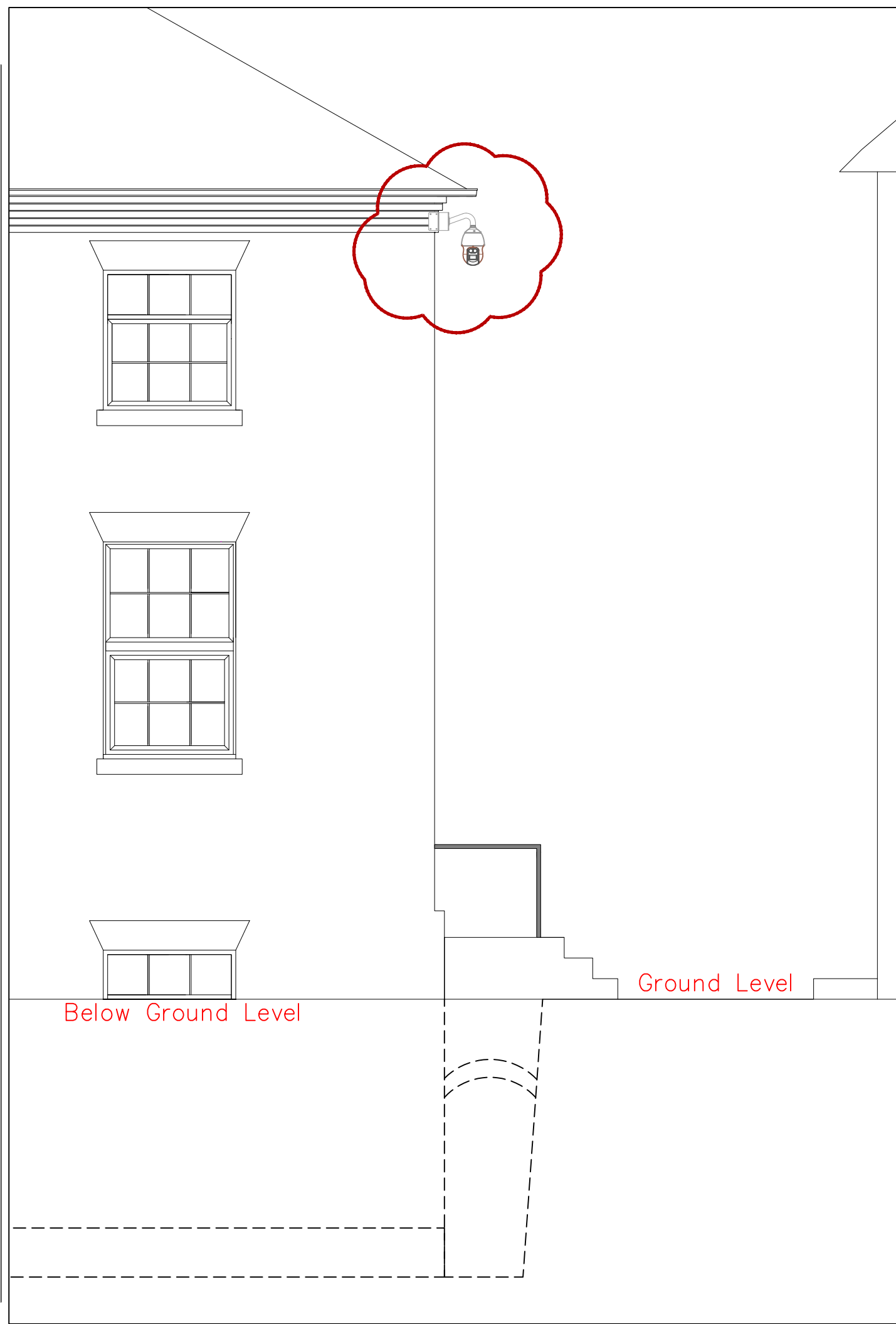
Note:
This drawing is copyright and must not be reproduced or disclosed to third parties without prior permission. Any discrepancies in dimensions or details on these drawings must be drawn to our attention. All dimensions in millimetres unless noted otherwise.



Corner mount fixing bracket, screw fixed into brickwork with 8 x M10 anchor bolts



SCALE 1:20



SCALE 1:50



Rev.	Amendment	Date



BUILDING CONSULTANCY
550 Thames Valley Park Drive, Reading, Berkshire
RG6 1PT
T 0118 909 7400

info@vailwilliams.com www.vailwilliams.com

Client:
Ameby Defence Services

Location:
**Regents Park Barracks
Albany Street
London NW1 4AN**

Project:
IMS1110955

Drawing Title:
**Proposed CCTV Camera
South West Elevation**

Date: June 2020 Scale: Various @ A3 Drawn: RH/ MB

Drawing No: P19-3040-EL-XX-B-2002	Revision: S01
--------------------------------------	------------------