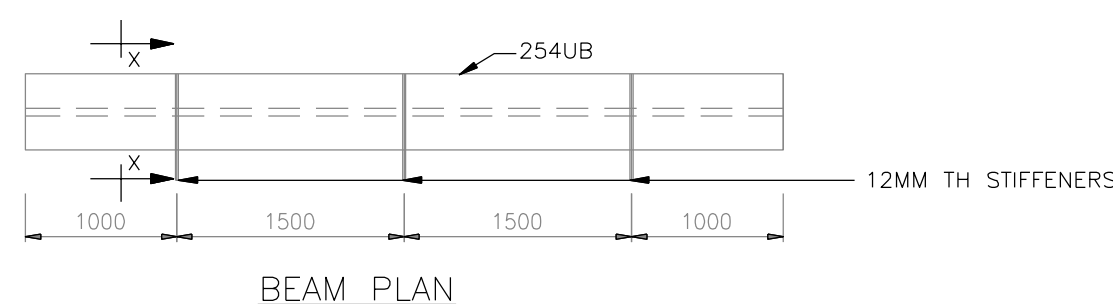
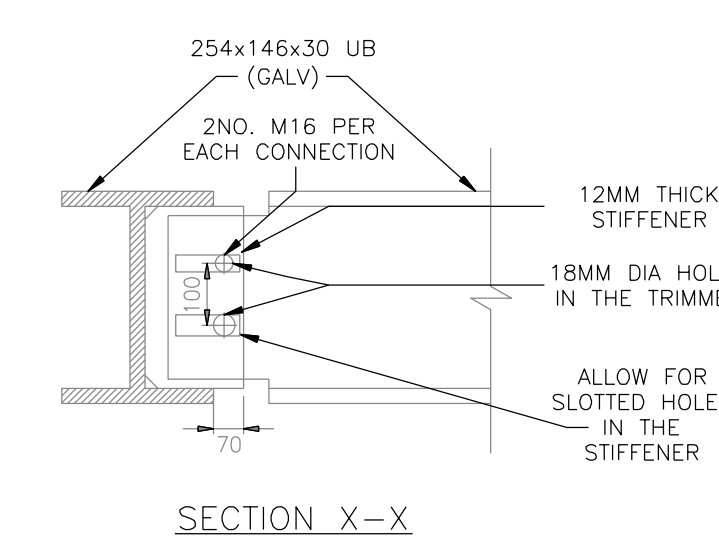
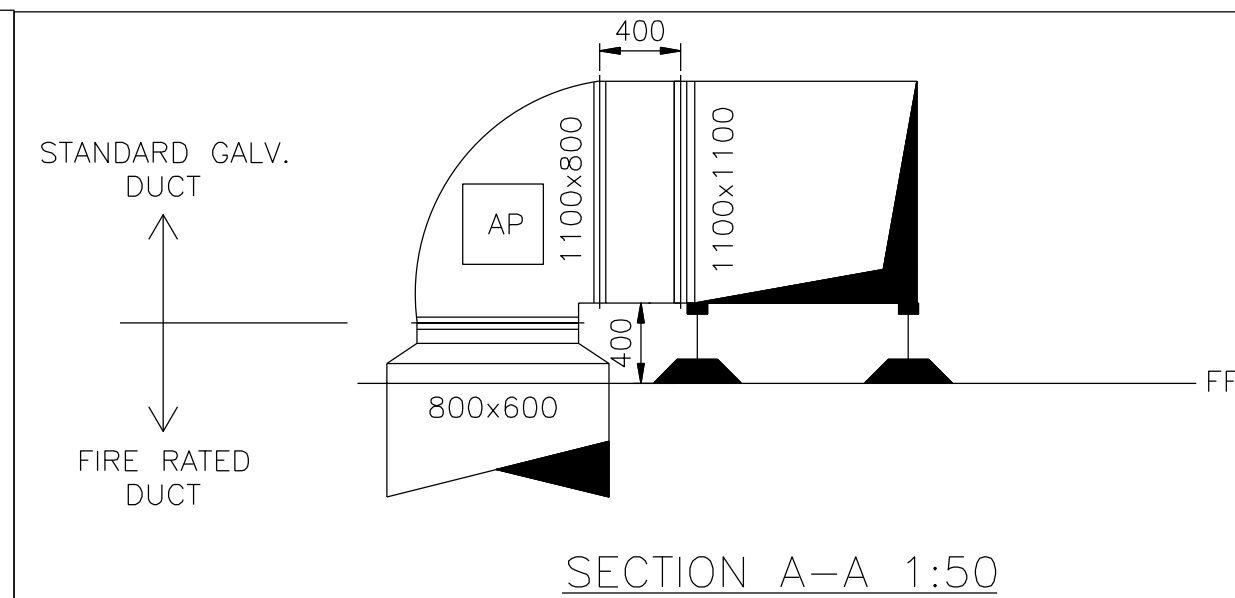
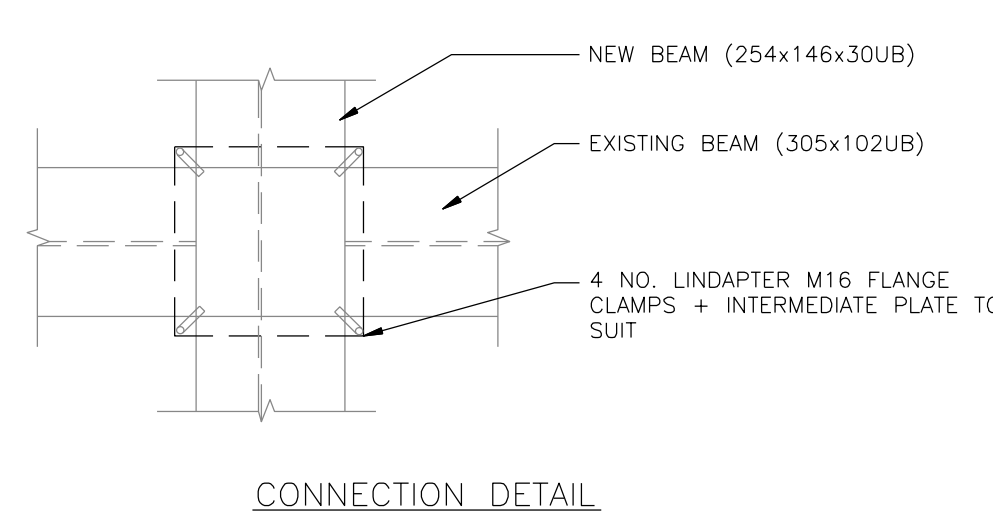
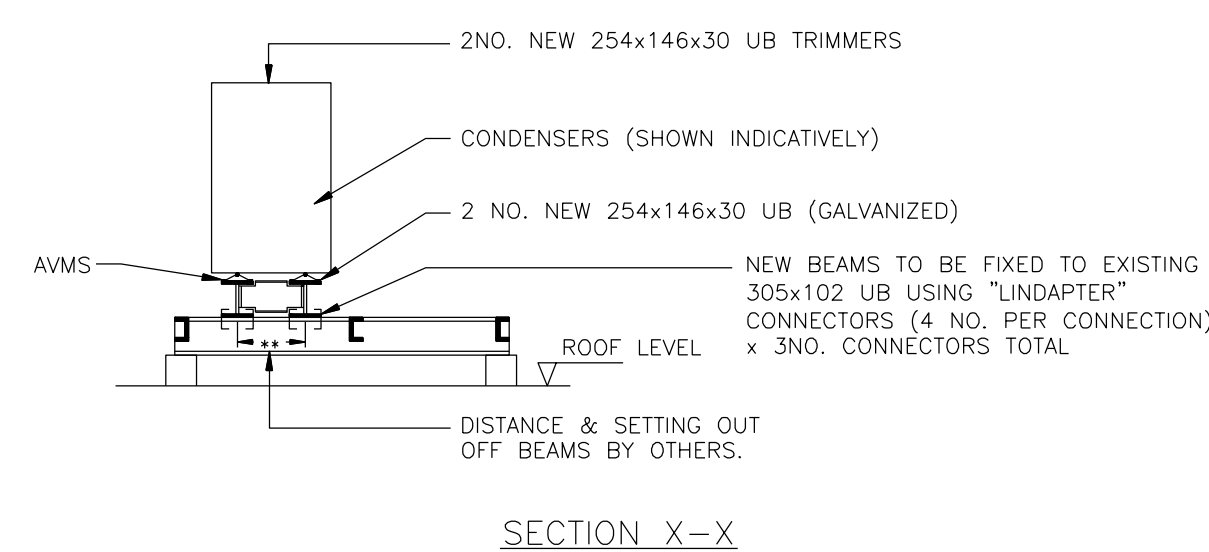
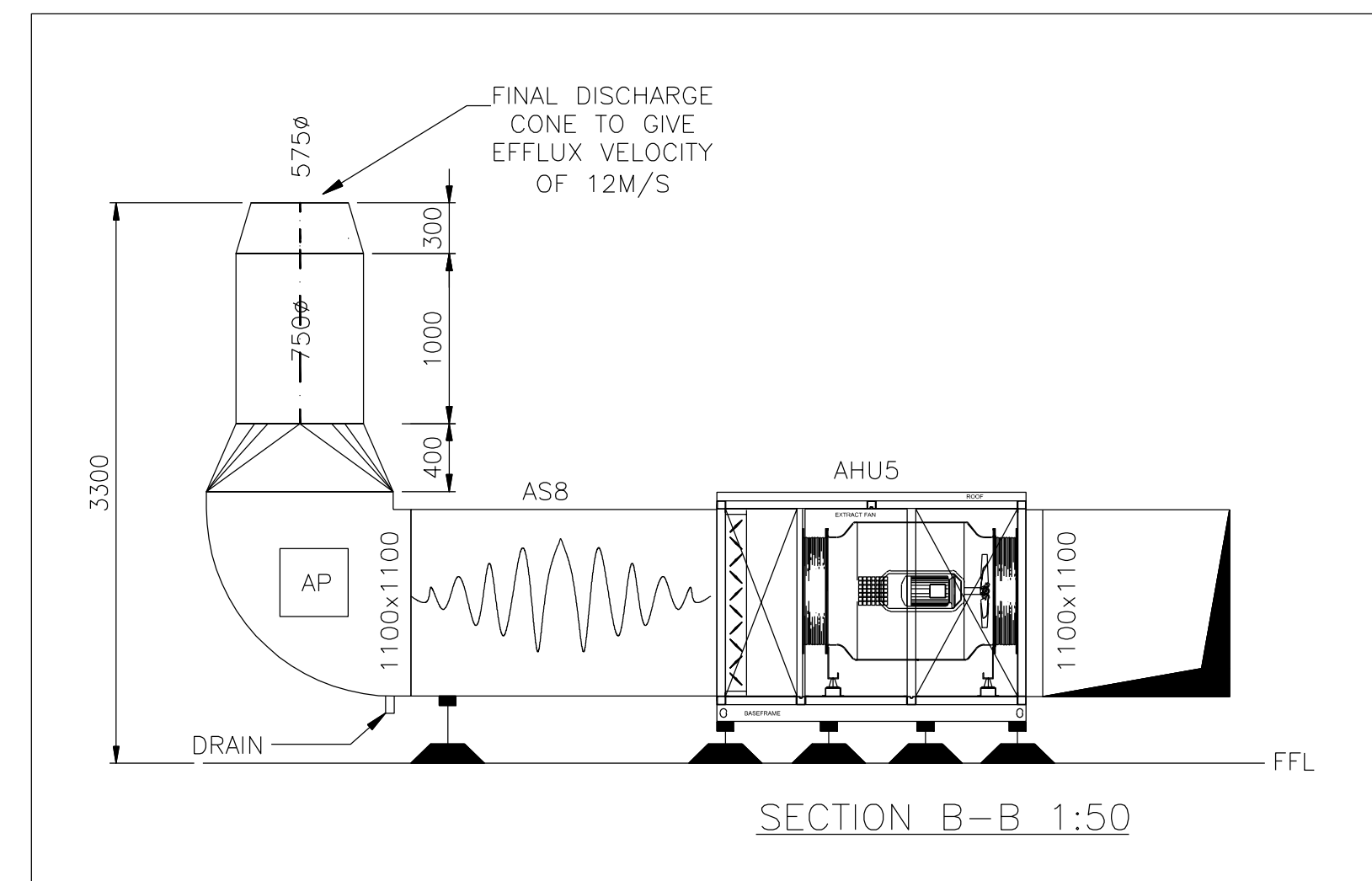
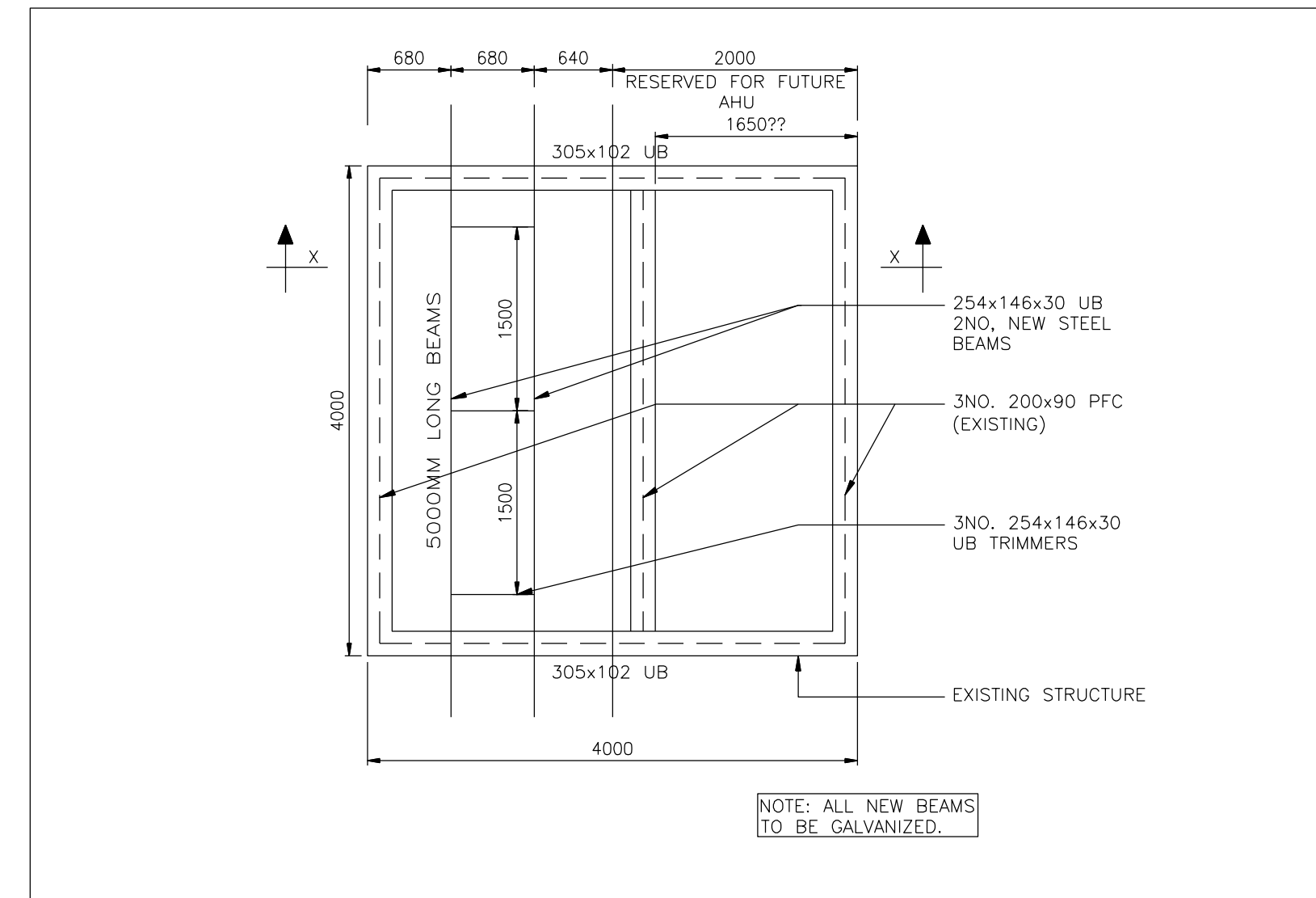
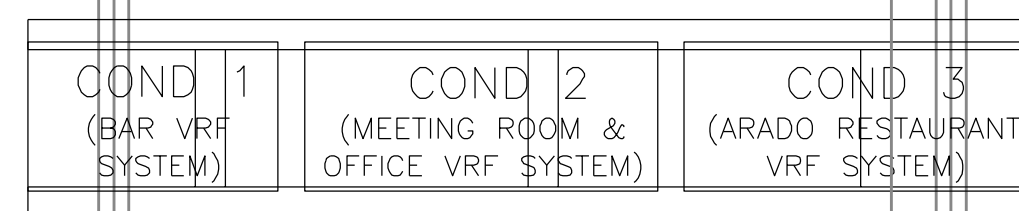
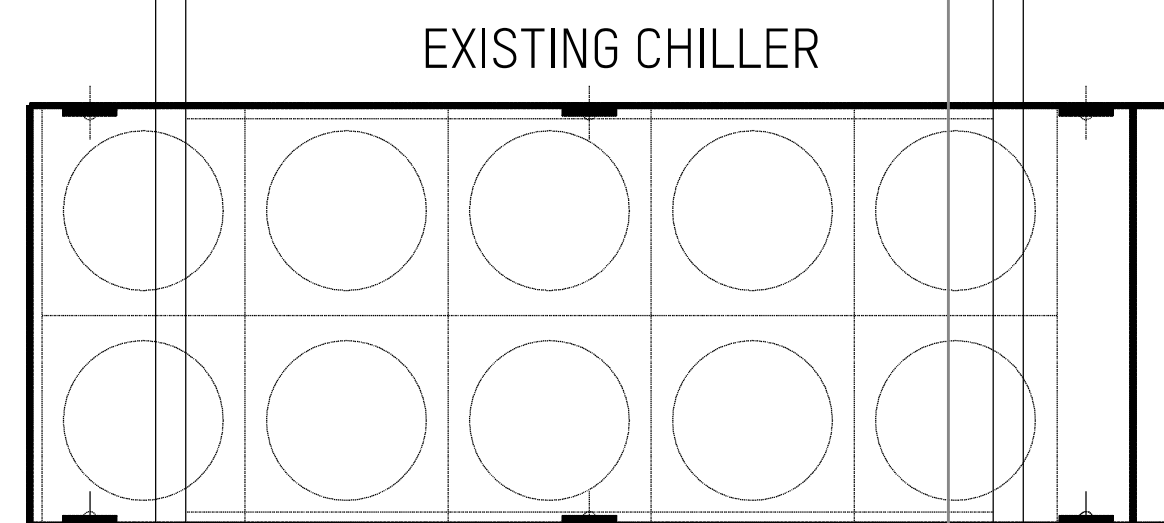
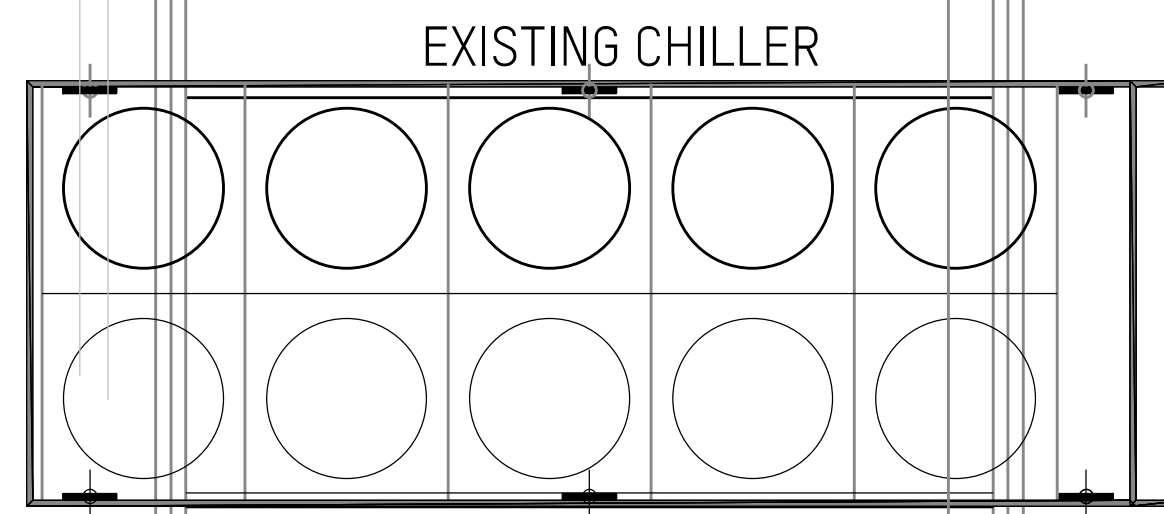
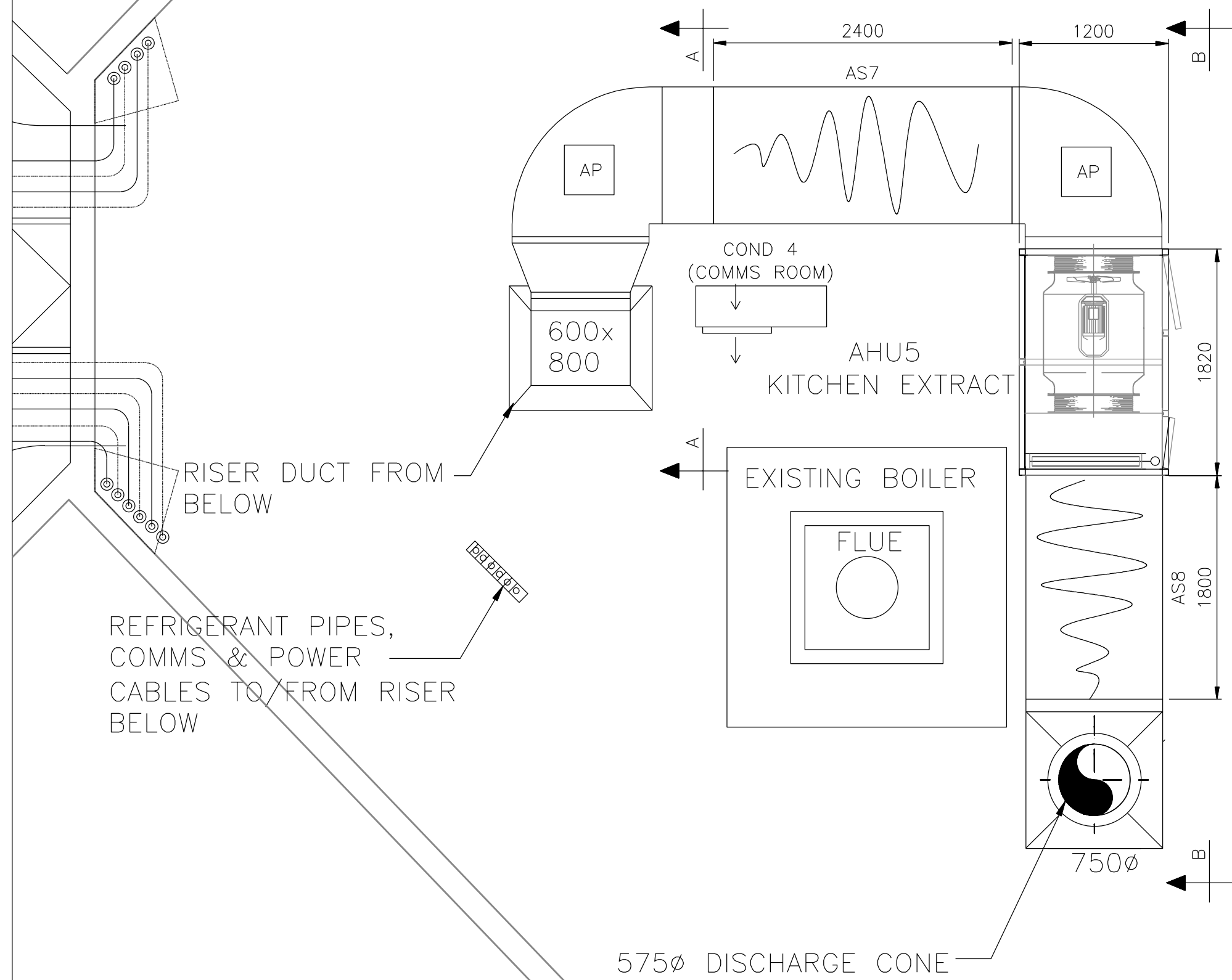


DO NOT SCALE FROM THIS DRAWING ALL DIMENSIONS ARE TO BE CHECKED ON SITE PRIOR TO BUILD. DIMENSIONAL DIFFERENCES TO BE CONFIRMED WITH THE ARCHITECT. THIS DRAWING IS TO BE READ IN CONJUNCTION WITH ALL CONSULTANTS INFORMATION, MACKAY AND PARTNERS LLP RETAIN THE COPYRIGHT OF ALL INFORMATION WITHIN THIS DRAWING.

PUMPS ROOM



Rev	Description	Date

Key Plan
Drawing Status

PLANNING

Issued only for purpose indicated

Mackay + Partners

ARCHITECTS & DESIGNERS

50 Farringdon Road
London EC1M 3JL tel +44 (0)207 608 1177
e mail: contact@mackayandpartners.co.uk

Job Title
White House Hotel

Drawing Title
**PROPOSAL
ROOF TOP
PLAN AND SECTIONS**

Scale @ A1 **1:150** Scale @ A3 **1:300** Drawn by **PM**

Date **29/01/2020** Checked by **KM**

Drawing No. **612.17J_0600_921** Rev.