

KING'S CROSS T2

TECHNICAL SUBMITTAL REVIEW SHEET

PROJECT REF:

001

DATE ISSUED:

11.07.2019

COMPANY NAME

FOCCHI Limited

SUBMITTAL NO:

KXC-T2-001-Y-FOC-21-TS02#

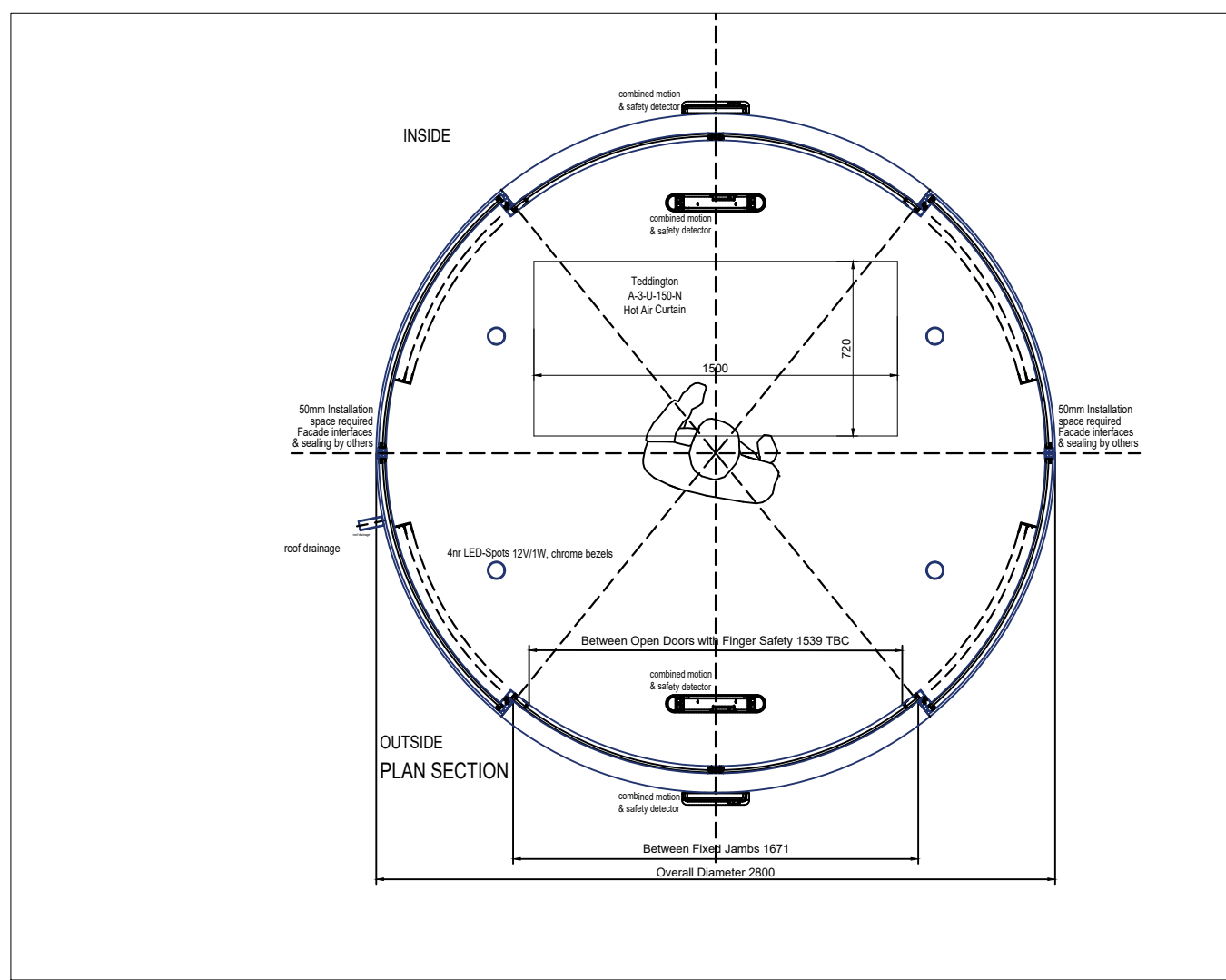
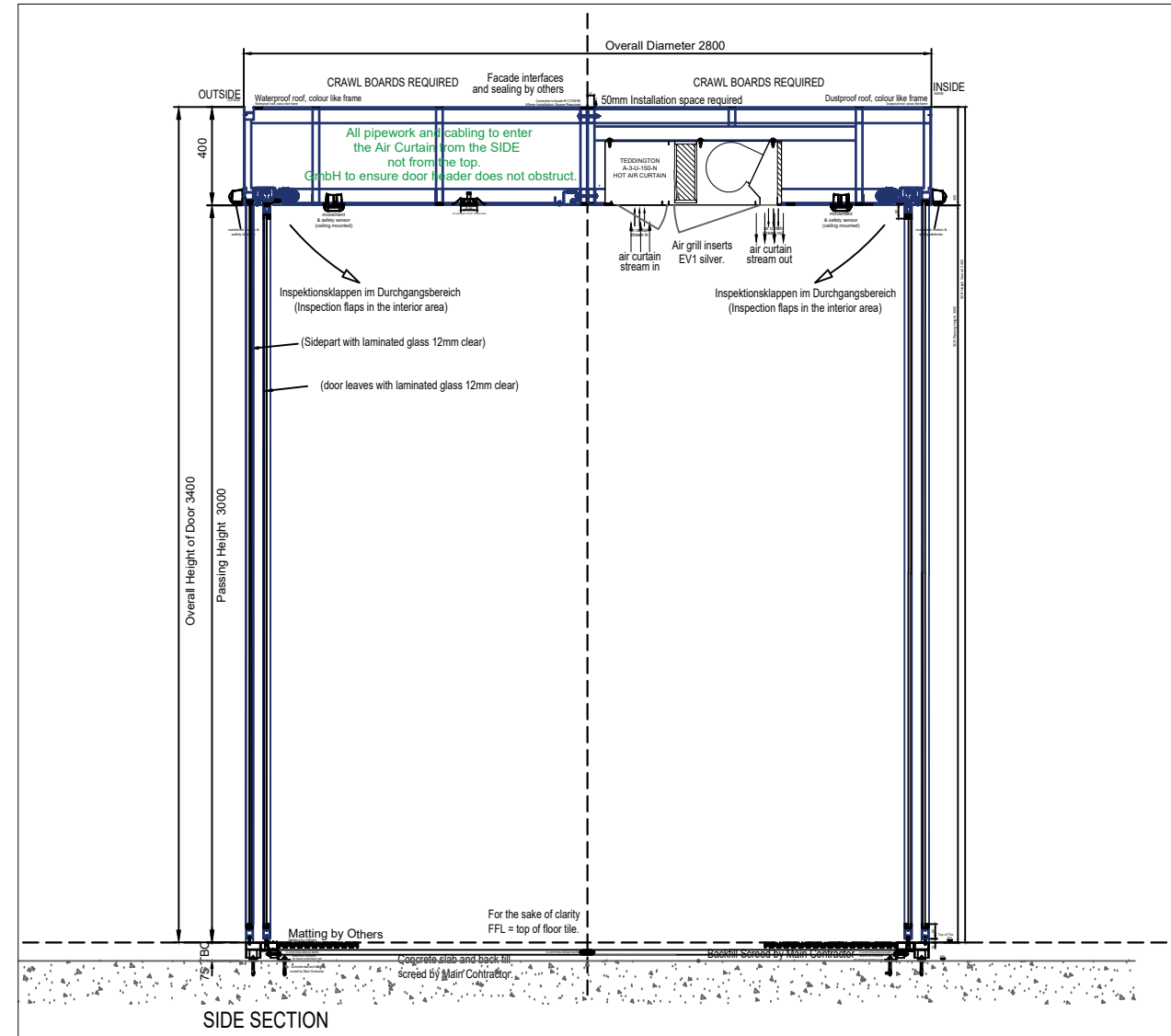
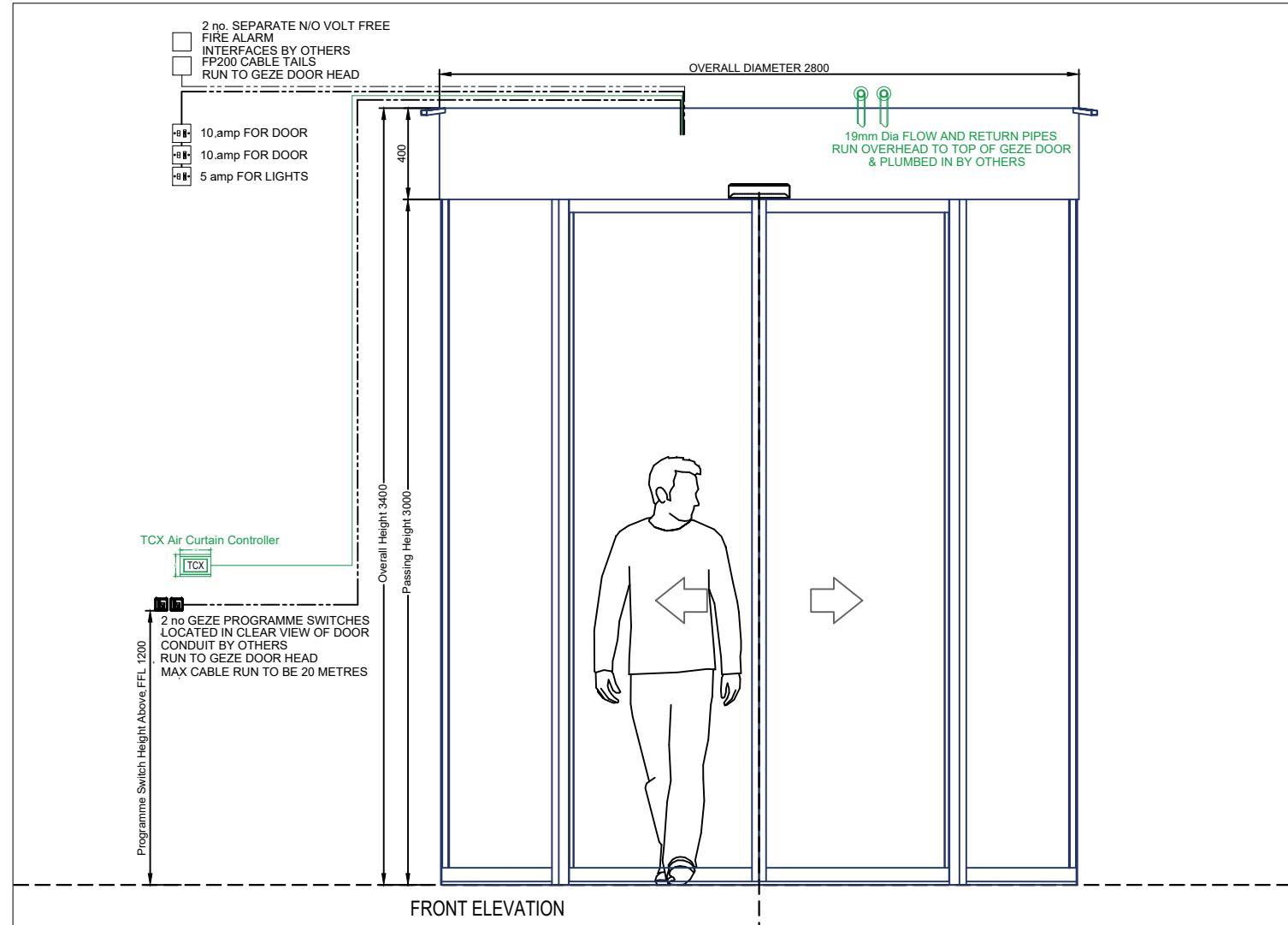
Technical Submittal Document Number	Rev.	Description	BAM Manager to review	Status ?	Comments
KXC-T2-001-Y-FOC-21-TS023	00	E# ZGeneral Views 2nr SLIMDRIVE SCR			

BAM

Signature:

Date:

PRINT NAME



PLEASE NOTE ALL INSTALLATIONS MUST COMPLY WITH RECENT REGULATIONS IN REGARDS TO SAFETY PROVISION AND ELECTRICAL COMPLIANCE:

- 2006/42/EC MACHINERY DIRECTIVE
- BS EN16005 SAFETY AT POWERED DOORS

M+E Requirements for GEZE SCR

2 nr. 230v 10 amp FUSED SPURS, FOR GEZE OPERATORS
CABLES ROUTED BY OTHERS, RUN OVERHEAD BY OTHERS, SEE FRONT ELEVATION
LOCATION OF ISOLATORS TBC

1nr. 230v 5 amp SWITCHED MAINS SUPPLY, FOR LIGHTS
CABLE ROUTED BY OTHERS, RUN OVERHEAD BY OTHERS, SEE FRONT ELEVATION
LOCATION OF ISOLATOR TBC

2 nr. SEPARATE N/O VOLT FREE FIRE ALARM INTERFACES
CABLES ROUTED BY OTHERS, RUN OVERHEAD BY OTHERS, SEE FRONT ELEVATION
LOCATION OF RELAY UNITS TBC

2 nr GEZE PROGRAMME SWITCHES, 24V / DC, 14 CORE BELDONI
CABLES ROUTED BY OTHERS, RUN OVERHEAD BY OTHERS, SEE FRONT ELEVATION
MAX CABLE RUN TO BE 20 METRES
LOCATION OF SWITCHES TBC

CABLE REQUIREMENTS
PROGRAMME SWITCH : 4 CORE 24V SCREENED by others
MANS : 3 CORE FLEX 2.5mm by others
FIRE ALARM / RMS : FP200 CABLE by others

ELECTRIC LOCKING, OUTER DOORSET
ELECTRO MECHANICAL BELT LOCK, CONCEALED WITHIN OPERATOR

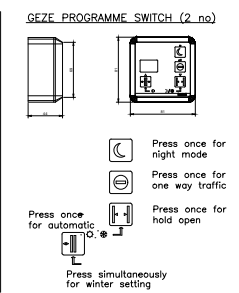
MANUAL LOCKING, OUTER DOORSET
SURFACE FITTED LOCKS, C/W EUROPROFILE THROUGH CYLINDERS
ENGAGE INTO FLOOR RING

GEZE SCR POWER CONSUMPTION
300 vs MAX

ACTIVATION
COMBINED MOTION AND THRESHOLD SAFETY SENSORS
SEE DETAILS FOR MOUNTING POSITIONS AND ACCESSORIES

SAFETY
COMBINED MOTION AND THRESHOLD SAFETY SENSORS.
BATTERY PACK TO ALLOW DOORS TO FALL OPEN OR CLOSED
IN THE EVENT OF POWER FAILURE.
SEE DETAILS FOR MOUNTING POSITIONS AND ACCESSORIES

PROGRAMME SWITCHES MUST BE LOCATED SO THAT DOORS ARE VISIBLE, WHEN CHANGING FUNCTIONS AND SET AT 1000MM ABOVE FFL
ALL CABLE ROUTES BY OTHERS



M+E Requirements for AIR CURTAIN

1nr TCX Controller for Air Curtain H 135mm x W 96mm x D 28mm.
1nr RJ-45 Shielded Bus Cable with Connectors
Separate Conduit by OTHERS, run overhead to door head to heater at head of GEZE drum.

Hot Water Heating Element
Output: 22.4 kW maximum.
3 stage heater output: 7.5kW, 15kW, 22.4kW.
19mm dia flow and return pipes, run over head into door.
All plumbing and connections by others, into heater at head of GEZE drum.

Fan
230V / 1Ph, 50 Hz, 0.99kW, 5A
Air Volume = 3600 m³/h

3-stage electronic air volume controller to set operating parameters and LEDs to display operating status.
Three settings each are available to set air volume and heat output. The heat output is locked using the fan level.
Manual / automatic operating mode with adjustable run-on time and ability to activate a base load level.
An external release (on / off), operating message and fault message are available for connection to the building management system.
A potential-free indicator shows whether fans are running or idle.

Safety Functions:
A run-on function controlled by a 50 °C thermostat switches fans on in the event of excess residual heat after the system has been switched off. Overheating protection is provided by a 60 °C thermostat which switches the heating off and automatically switches to the preset heat level as soon as the temperature falls back below 60 °C.
Overheating protection is provided by a 60 °C thermostat: the heating is switched off and locked.

UK Ltd SC/SCR Specification Details

REFERENCE	DESCRIPTION
TYPE OF DRIVE UNIT	SCR
OVERALL HEIGHT OF UNIT	3400
OUTSIDE DIAMETER	2800
OPENING HEIGHT	3000
CANOPY HEIGHT	400
OPENING WIDTH	1671 BETWEEN JAMBES (Finger Safety Spaces as UK Regulations)
CANOPY TYPE	ALUMINIUM
COLOUR OF CANOPY	ANODISED TBC
COLOUR OF ROOF PANEL INTERNAL	ANODISED TBC
COLOUR OF ROOF PANEL EXTERNAL	ANODISED TBC
COLOUR OF DRUM PROFILES	ANODISED TBC
COLOUR OF DOOR PROFILES	ANODISED TBC
GLAZING ROOF	ALUMINIUM
GLAZING DOORS	12mm CLEAR LAMINATED
GLAZING DRUM	12mm CLEAR LAMINATED
NUMBER OF FIXED SCREENS	4
NUMBER OF DOORS	4
DOOR LEAF MICRO SWITCH	WITHOUT
SAFETY SCREENS	WITHOUT
ELECTRIC LOCKING	YES - OUTER DOORS ONLY
MANUAL LOCKING	WITHOUT TBC
DRAINAGE - ROOF OUTSIDE	WATERPROOF ROOF ALUMINIUM 2nr SPOLTS
DRAINAGE - ROOF INSIDE	DUSTPROOF ALUMINIUM ROOF
LIGHTING TYPE	LED 1W SPOTS, CHROME
NUMBER OF LIGHTS	4 NR
FAN LIGHT	WITHOUT
ACTIVATION	GC 365 Combined Activation & Safety UK Spec
SAFETY	GC 365 Combined Safety & Activation UK Spec
FLOOR RING	WITH
FLOOR RING TYPE	STANDARD 75mm DEEP TBC
FLOOR MATTING / COVERING	BY OTHERS
CONNECTION TO THE FACADE	50mm BY FOCCHI
ACCESSORIES	TEDDINGTON A3-U-150-N AIR CURTAIN WATER FED
ADDITIONAL INFORMATION	*2 no. ADDITIONAL BELT ROLLERS REQD
PROJECT NAME	Kings Cross T2 - S1H
JOB SF NUMBER	15675
SK OFFER NUMBER	240102204
COLOUR / FINISH	ANODISED TBC
QUANTITY OF DOORS	2

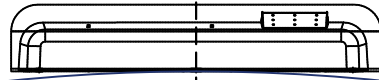
Project Kings Cross T2 - S1H	Scale NTS	Surface / colour C31 to C34 TBC	Customer GEZE UK Ltd
Designer / date uktwt21 9/7/19	Scale NTS	Surface / colour C31 to C34 TBC	Drawing name / door type General Views 2nr SLIMDRIVE SCR
			Commission SF16675.S1H.001

2nr SCR at S1H location

GEZE Sonderkonstruktionen GmbH
Planen 1, D - 97944 Bausberg - Schweigen
Telefon: 07950 / 92 94-0, Telefax: 07950 / 92 94-10
e-mail: k.d.de@geze.com, Homepage: www.geze.de

Diese Zeichnung ist unser Eigentum. Jede Vervielfältigung, Verwertung oder Weitergabe an Dritte Personen ist verboten und wird verfolgt.

combined movement &
safety detector black



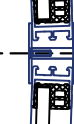
combined movement &
safety detector black



Connection to facade BY OTHERS
50mm Installation Space Required



Connection to facade BY OTHERS
50mm Installation Space Required



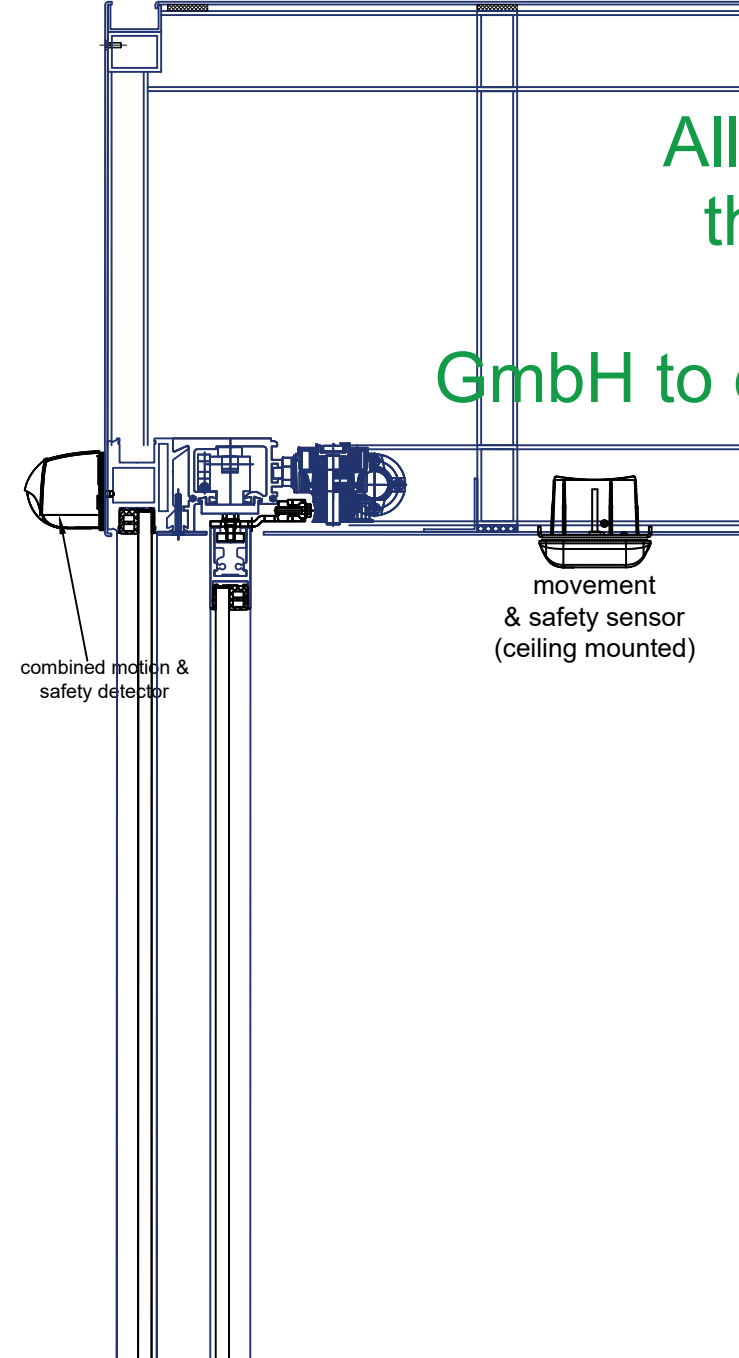
2nr SCR at S1H location

Project Kings Cross T2 - S1H		Customer GEZE UK Ltd	
Designer / date uktw21 9/7/19	Scale NTS	Surface / colour Anodised C31 to C34 TBC	Drawing name / door type Plan Section Details 2nr SLIMDRIVE SCR
GEZE Sonderkonstruktionen GmbH Planken 1, D - 97944 Bozberg - Schweigen Telefon: 07950 / 92 94-0, Telefax: 07950 / 92 94-10 e-mail: sk.de@geze.com, Homepage: www.geze.de		Drawing number SF16675.S1H.002	

Diese Zeichnung ist unser Eigentum. Jede Vervielfältigung, Verbreitung oder Weitergabe an Dritte Personen ist verboten und wird verfolgt.

OUTSIDE

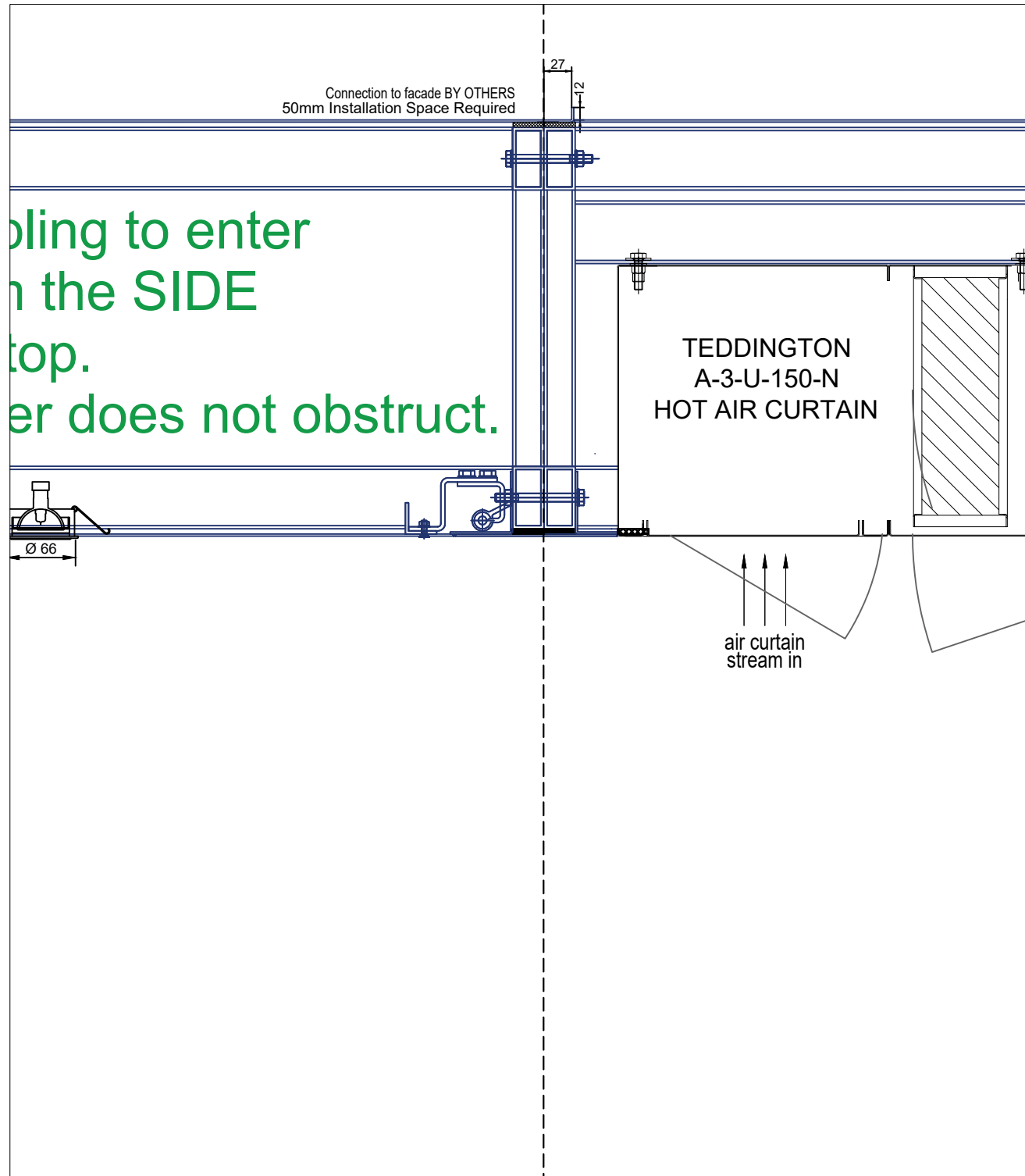
Waterproof roof, colour like frame



All going to enter
 through the SIDE
 top.
 GmbH to enter does not obstruct.

Connection to facade BY OTHERS
50mm Installation Space Required

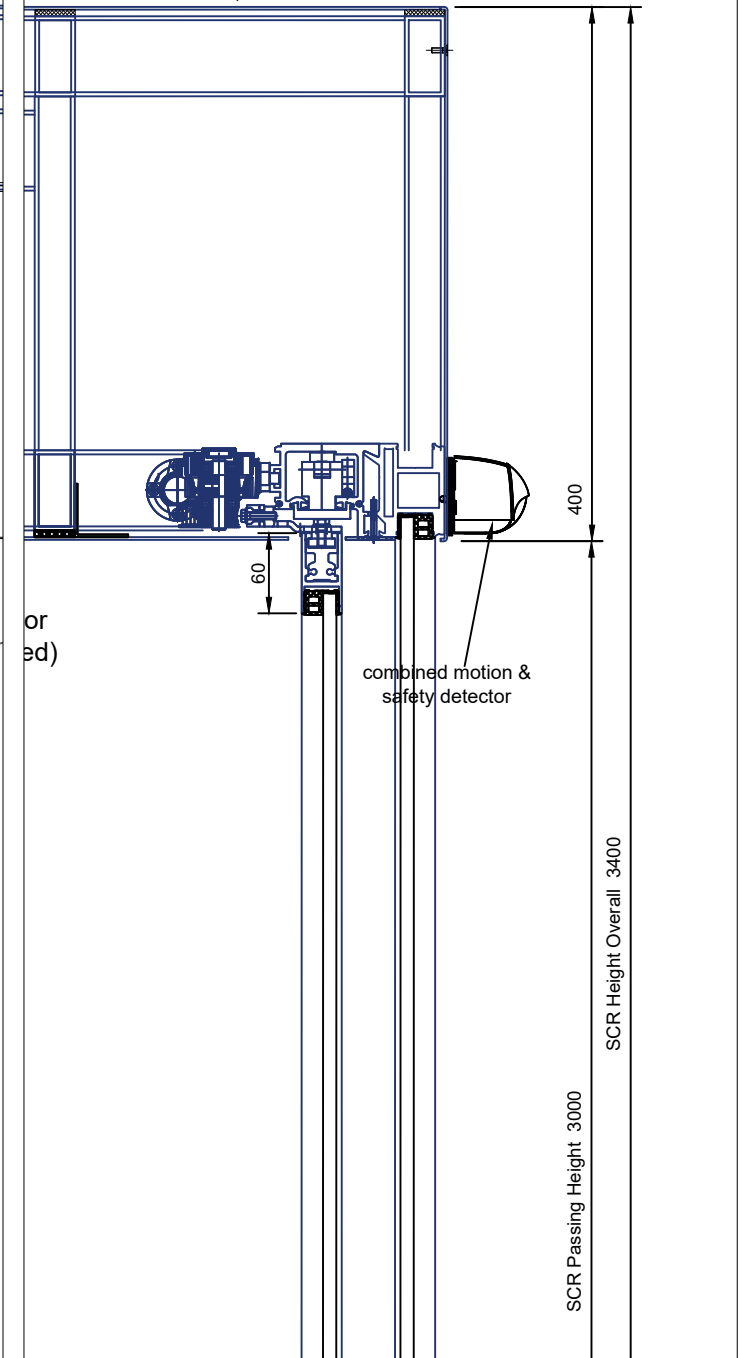
27
12



TEDDINGTON
A-3-U-150-N
HOT AIR CURTAIN

INSIDE

Dustproof roof, colour like frame



400

60

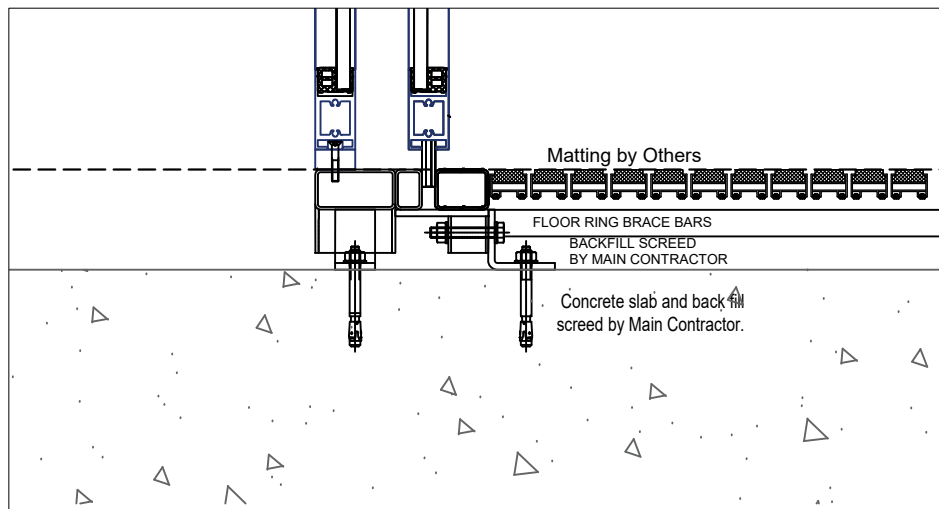
SCR Passing Height 3000

SCR Height Overall 3400

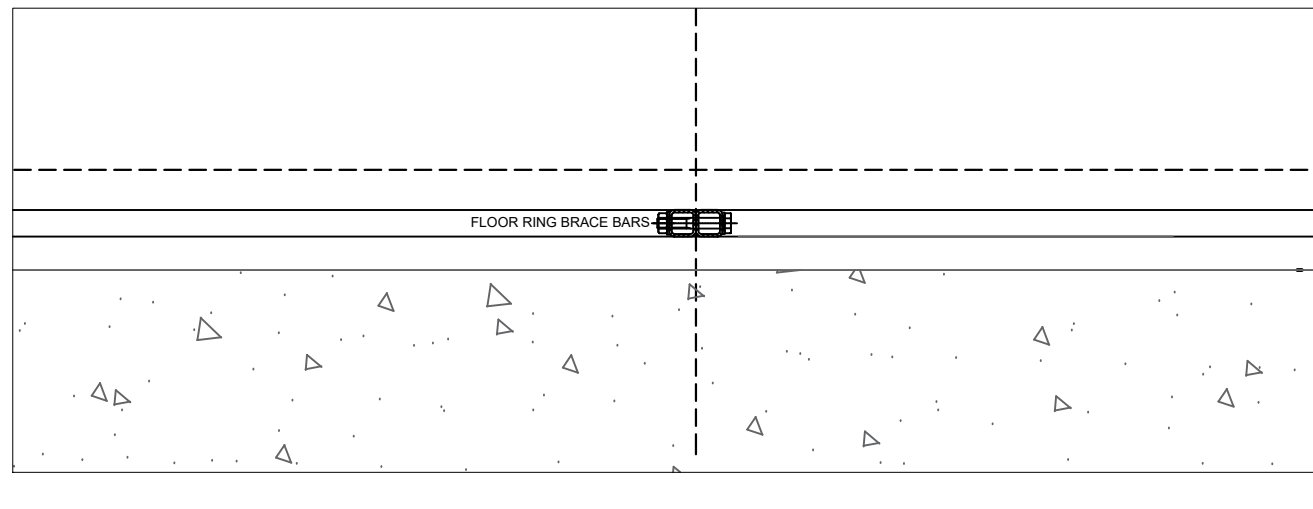
Matting by Others

FLOOR RING BRACE BARS
BACKFILL SCREED
BY MAIN CONTRACTOR

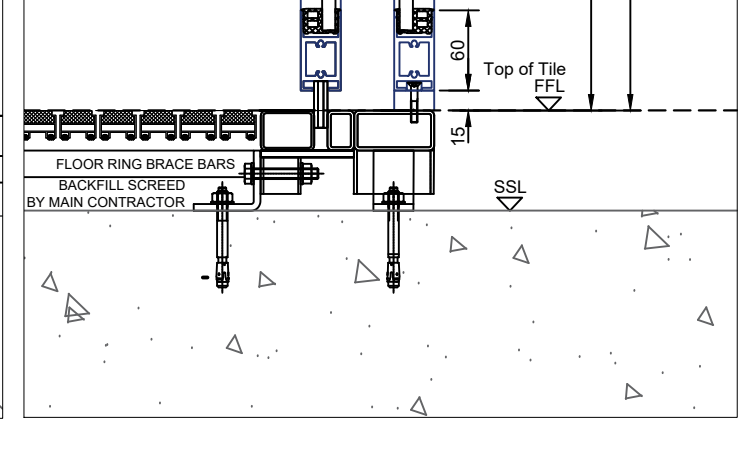
Concrete slab and backfill
screed by Main Contractor.



FLOOR RING BRACE BARS



FLOOR RING BRACE BARS
BACKFILL SCREED
BY MAIN CONTRACTOR



SIDE SECTION

2nr SCR at S1H location

Project Kings Cross T2 - S1H	Scale NTS	Surface / colour Anodised	Customer GEZE UK Ltd
Designer / date ukt21 9/7/19		Material C31 to C34 TBC	Drawing name / floor type Side Section Details 2nr SLIMDRIVE SCR
<p>GEZE Sonderkonstruktionen GmbH Planken 1, D - 97944 Bozberg - Schweigen Telefon: 07950 / 92 94-0, Telefax: 07950 / 92 94-10 e-mail: sk.de@geze.com, Homepage: www.geze.de</p>			Drawing number SF16675.S1H.003

Diese Zeichnung ist unser Eigentum. Jede Vervielfältigung, Verbreitung oder Weitergabe an Dritte Personen ist verboten und wird verfolgt.