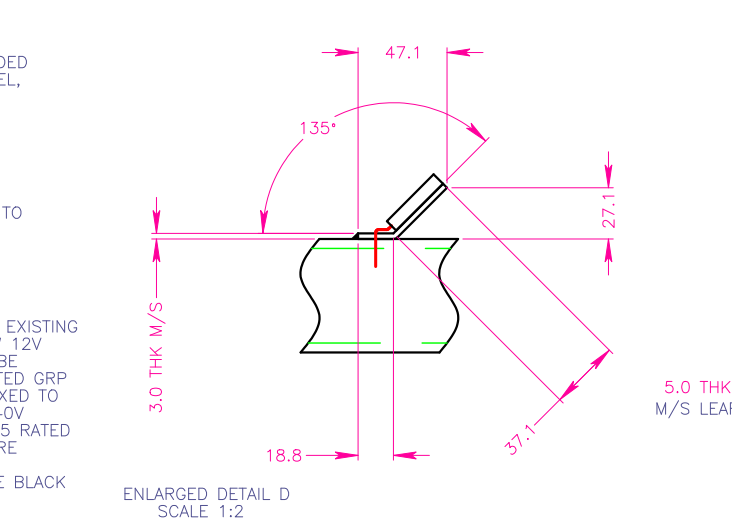
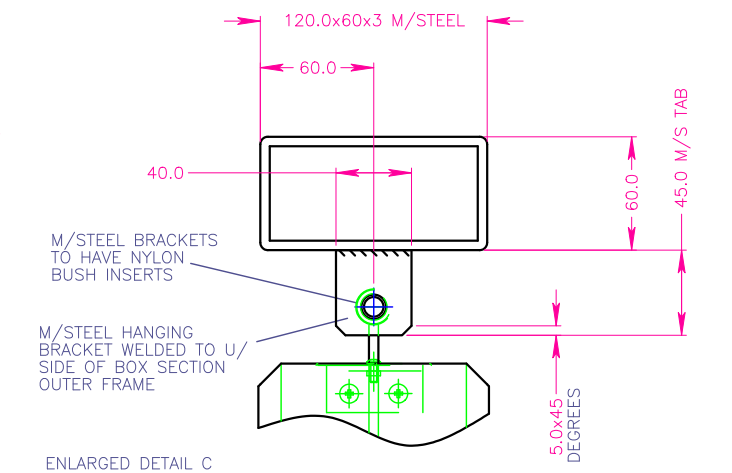
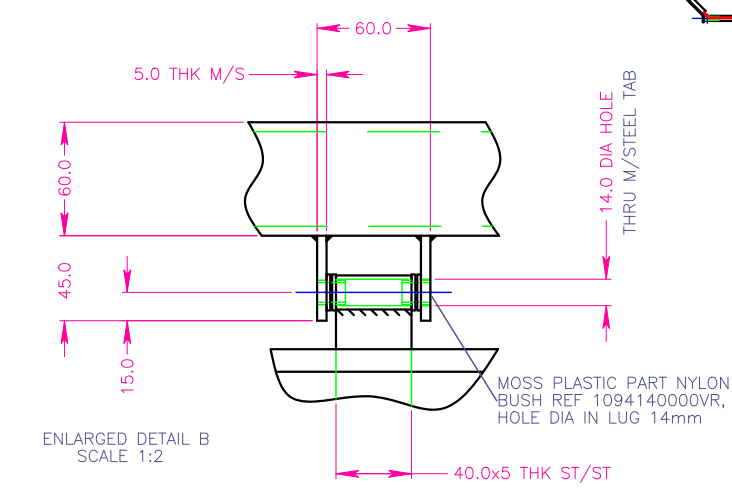
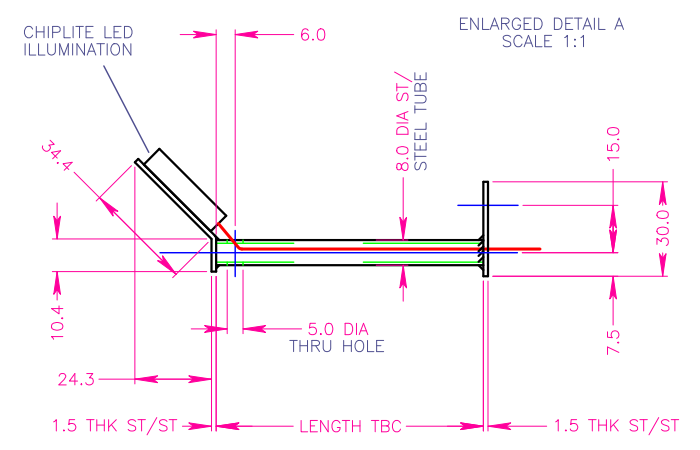


THIRD ANGLE PROJECTION
DIMENSIONS IN MILLIMETRES

REV B
BOX SECTION OUTER FRAME &
HANGING BRACKET AMENDED
MJS 24/10/14

REV C
CABLE COLOUR ADDED TO NOTE
MJS 15/12/2014



1300.0 O/ALL 120x60x5 M/STEEL FRAME

1005.0

60.0

462.5

375.0 CRS

235.0

60.0

204.0

891.9

60.0x120x5 M/STEEL
BOX SECTION FRAME

60.0 GAP

770.0 CRS REF

963.3

1736.0 O/ALL 120x60x5 M/STEEL BOX SECTION FRAME

1507.8

120x60x5 M/STEEL BOX
SECTION FRAME TO HAVE
PPC BLACK FINISH

RETAINING ANGLE

1511.0 O/ALL MOULDED PICTORIAL PANELS

INDIVIDUAL MOULDED
LETTERS LOCATED INTO
MOULDED RECESSES
WITHIN PANELS

ESTD 1831 TO BE MOULDED
DIRECT TO FACE OF PANEL,
4mm HIGH

5mm THK LASER CUT
PATTERN TO BE WELDED TO
120x60x5 M/STEEL BOX
SECTION FRAME & PPC
BLACK

LV CABLE TO RUN DOWN EXISTING
POST TO TALEX LCU 35W 12V
LED DRIVER, DRIVER TO BE
HOUSED WITHIN IP65 RATED GRP
MOULDED ENCLOSURE FIXED TO
BOTTOM OF POST. 2M 240V
FLYING LEAD OUT OF IP65 RATED
MOULDED GRP ENCLOSURE

ALL VISIBLE CABLE TO BE BLACK

SEE ENLARGED
DETAIL B

SEE ENLARGED
DETAIL D

SEE ENLARGED
DETAIL A

SEE ENLARGED
DETAIL C

SEE DRG REF:-
16960 FOR
PANEL ASSY

M/STEEL BOOT WELDED TO BOX
SECTION FRAME, SIZES TBC AS
PER INDIVIDUAL SITE SURVEYS,
EXISTING POST TO BE RE-USED

45.0 GAP

60.0

1090.0 O/ALL MOULDED PICTORIAL PANELS

1180.0 I/SIDE FRAME

1404.3 REF CURVED LENGTH

R 1040.0

20.7

CLIENT		
YOUNGS BREWERY		
DETAIL		
POST MOUNTED PICTORIAL - LARGE		
ASSEMBLY / SITE		
VARIOUS		
MATERIAL		
SEE DRG		
SCALE	DRAWN BY	DATE
1:6	M.J.S	24/09/2014
Wood & Wood International Signs Ltd Heron Road Sowton Estate Exeter EX2 7LX Tel: 01392 444501 Fax: 01392 252358		
No part of this drawing & the design contained herein may be reproduced without the written consent of Wood & Wood International Signs Ltd		
DRAWING NO.	REV	
16988	C	

DRAWING APPROVAL STATUS	
STATUS A	BY
THIS DRAWING HAS BEEN CHECKED AND CONFORMS TO DESIGN INTENT	
STATUS B	DATE
APPROVAL NOT REQUIRED	
STATUS C	DATE
UNCHECKED, NOT TO BE USED FOR MANUFACTURE	24/09/2014