



LAMBOO

MOBILE MEDICAL

**SITE PLANNING
GUIDE**

**Covid-19 CT
Emergency scan box
Siemens Somatom GO**

PROJECT NUMBER.: 209047

Table of Contents

1.	General	1
2.	Site Requirements.....	1
3.	Support Pad Requirements	2
4.	Electrical Requirements	3
5.	Radiation Shielding	4
6.	Telephone & Computer connection	4
7.	Water connection	5
8.	Airflow considerations	5

Annex: Drawing Exterior views 209047-003
Drawing Site requirements 209047-005
Drawing Support points 209047-006 rev-A
Drawing Radiation protection 209047-007
Drawing Measurements weight 209047-850 rev-A

#	REVISION	DATE	NAME
-	Draft version	15-04-2020	D. Hordijk
A	First release	16-04-2020	D. Hordijk
B	Support points modified	22-06-2020	D. Hordijk

Important Notice.

The information in this document is subject to change without notice.
Lamboo Specials Sales B.V. assumes no responsibility for any errors or omission appearing in this document. Contact Lamboo Specials Sales B.V. for the latest planning information.

Lamboo Specials Sales BV.
Koperstraat 44
2718 RE Zoetermeer.
The Netherlands.

Tel.nr. +31 79 363 83 83
Fax.nr. +31 79 363 83 10
E-mail : info@mobile-medical.eu
Website : www.mobile-medical.eu

1. General

This medical trailer requires specific site preparations by the operator at each desired location.

This guide contains information about the necessary preparations of the site, before placement and connections of the medical trailer.

The site must meet these requirements before the mobile unit can function properly.

2. Site Requirements

The minimum area required for parking the trailer (without the tractor cab) is

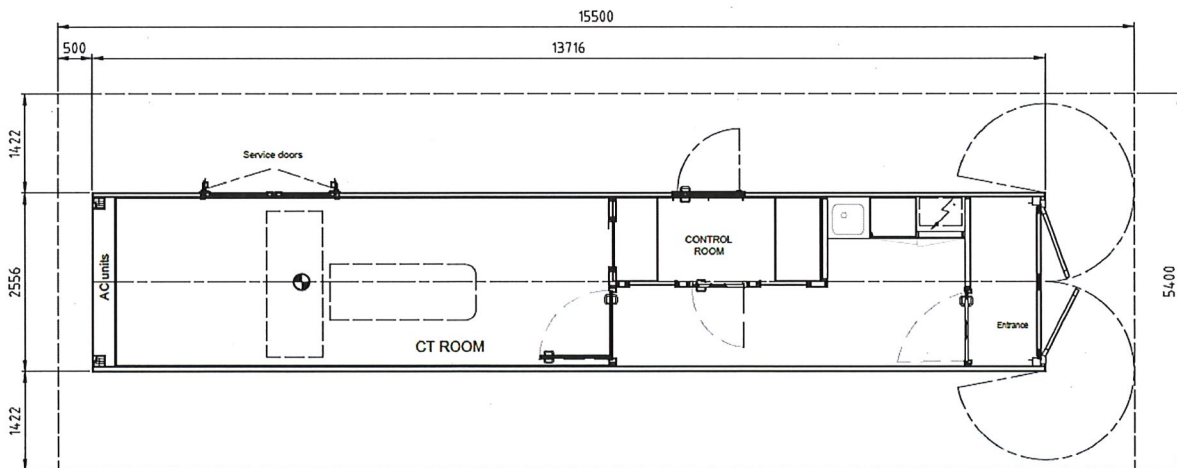
Length= 15,5 m

Width= 5,6 m

The ground and the access way must be clearly paved.

In order to ensure proper operation of the stabilizing system the ground must be level and the deviation must not exceed 1% (which is 0,6 degree!).

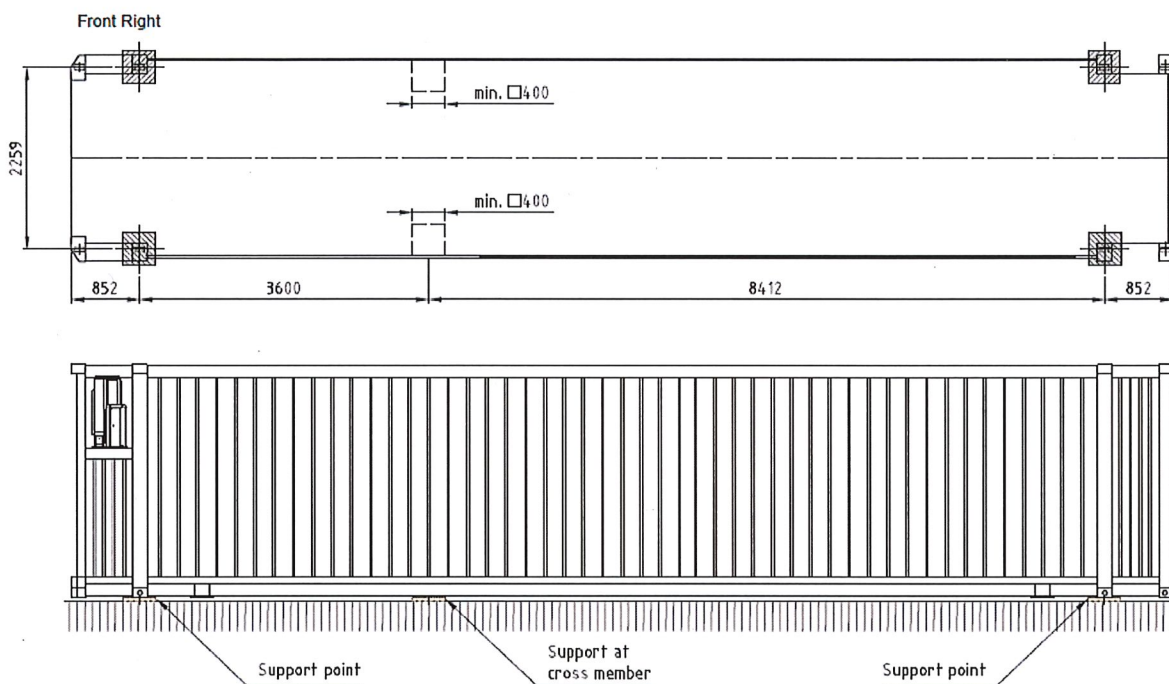
Make sure that that the entrance and service doors are easily accessible for patient entry and services.



Drawing 209047-005 gives an overview of the dimensions and weight of the Mobile Medical unit. (see appendix for full drawing).

3. Support Pad Requirements

The ground and access way must be able to carry the weight of the trailer and tractor.
 The weight of the Scan box WITHOUT scanner is approx 14 000 kg.
 The weight of the Scan box with CT scanner is approx 16 000 kg.
 Under the corner castings and in the middle must be placed a nylon support block of 0,4 x 0,4 m.
 Drawing 209047-006 gives the positions of support points.



IMPORTANT NOTICE:

In order to ensure proper operation of the unit the support points must be as level to the zero as possible. This can be done by using shim plates of aluminium or nylon.
 Good practice is to operate all doors. If the doors are stuck then the unit is NOT level.
 Re shim the unit until all doors can be opened without a problem.

Container floor has step of approx. 240 mm to enter the unit.
 Lamboo does not provide any ramp for access with patient trolley.



4. Electrical Requirements

The trailer is equipped with a 400 volt 3 phases 50 Hz electric system according to the TN-S system.

The site shall provide a 400 V, 50 Hz, service fused at the following capacities:

		Fuse rate:
1.	Somatom GO CT	160 A

The electrical phase rotation of the supply should be L1 L2 L3.

A 15 meter shoreline cable, wired directly to the trailer, is provided for connecting the mobile unit to local power.

The mains lead is not intended to withstand the wear and tear of traffic passing over it. The site shall provide necessary protective ramps, catenary systems or other means to protect the cable where it traverses roads or pathways.

The shoreline cable is provided with a with a 380 V - 250 A Marachell DS2 male connector with 2 parts:

- 1) Marachel part # 39 28 017: Inlet (male)
- 2) Marachal part # 392A 013: Handle

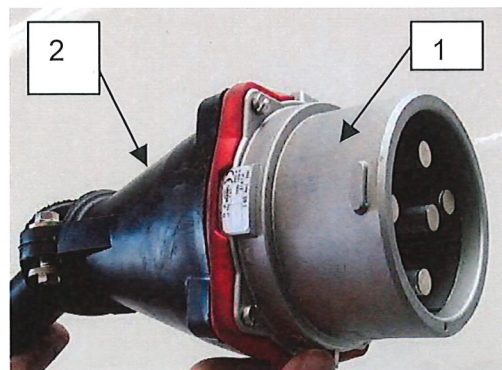
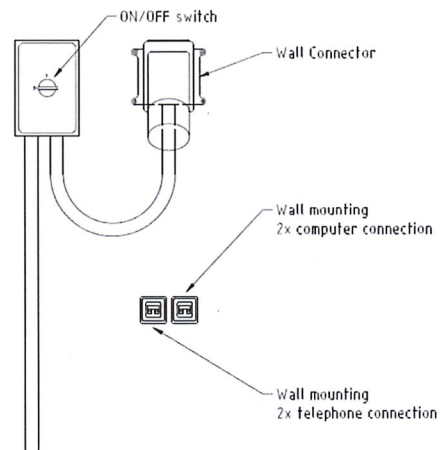
The customer facility must have the female connector to match this connector.

The electric installation must provide a dedicated medical earth terminal for connecting of the earth connection of the trailer.

This earth cable shall be connected to the trailer and the main supply outlet before the mains cable is plugged in!

WARNING:

It's the user's responsibility to verify that the shore power is electrically compatible with the connector of the mobile trailer. Connecting the power to the wrong type of receptacle could cause serious injury or damage of the medical system.





5. Radiation Shielding

The trailer is equipped with a lead protection structure. Despite of this measure, low level of radiation can exist outside of the mobile unit. The trailer should be placed in an area that keeps the exposure minimal to outdoor personal and to the environment.

See radiation shielding drawing for values.



6. Telephone & Computer connection

The unit is equipped with a patch panel RJ45 type for telephone computer patching.

If necessary the unit can be connected to the hospital IT network.

The site must supply cables for connecting to the IT network.

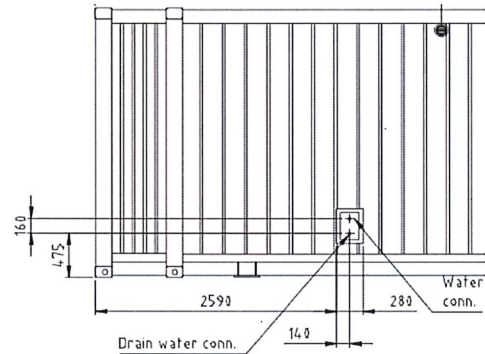




7. Water connection

The unit is equipped with a direct connection for fresh water and for waste water connection. The location of the connection points is at the outside with connections to the shore with a hose.

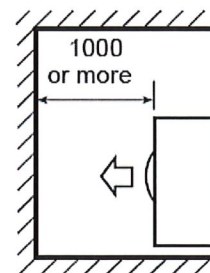
Connector for shore line water is GK for hose size 19 x 3 mm.

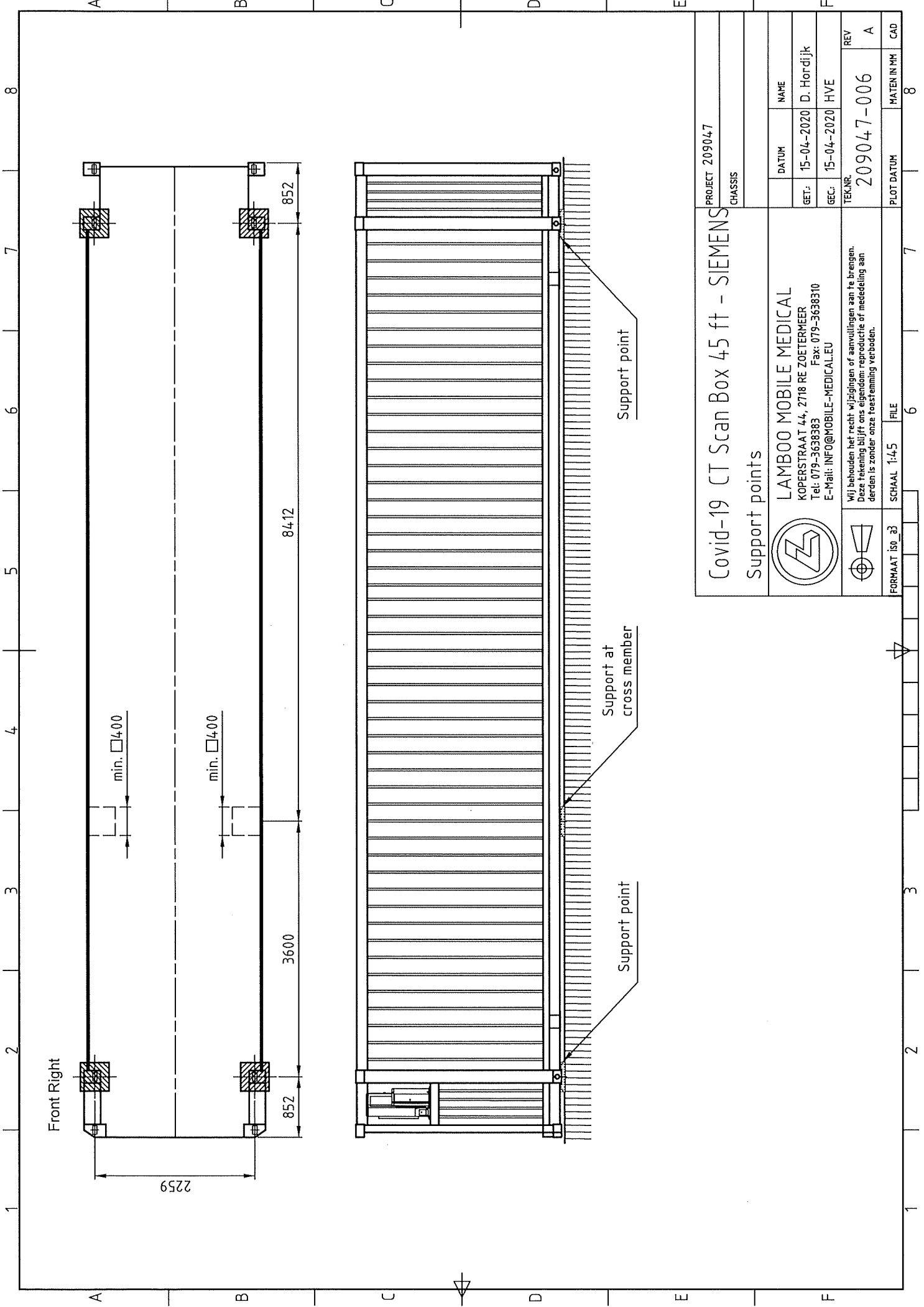


8. Airflow considerations

The following clearances are acceptable for the airflow: 1000 mm from the grills of the outside airco unit and generator.

At the front side the condenser system is situated. The grills for the condenser need the following clearance for the airflow:
-1000 mm for the front grills

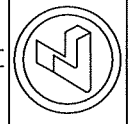




PROJECT 209047	
CHASSIS	
DATUM	NAME
GET.: 15-04-2020	D. Hordijk
GE.C.: 15-04-2020	HVE
TEK.NR.	REV
209047-006	A
PLOT DATUM	MATEN IN MM
	8

Covid-19 CT Scan Box 45 ft - SIEMENS

Support points



LAMBOO MOBILE MEDICAL
 KOPERSTRAAT 44, 2718 RE ZOETERMEER
 Tel: 079-3638383 Fax: 079-3638310
 E-Mail: INFO@MOBILE-MEDICAL.EU

Wij behouden het recht: wijzigingen of aanvullingen aan te brengen.
 Deze tekening blijft ons eigendom: reproductie of mededeling aan
 derden is zonder onze toestemming verboden.



FORMAAT iso 33

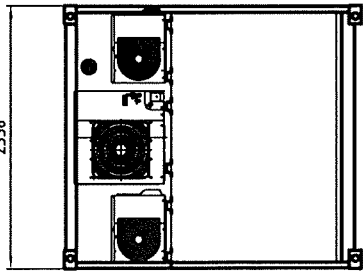
SCHAAL 1:4.5

FILE

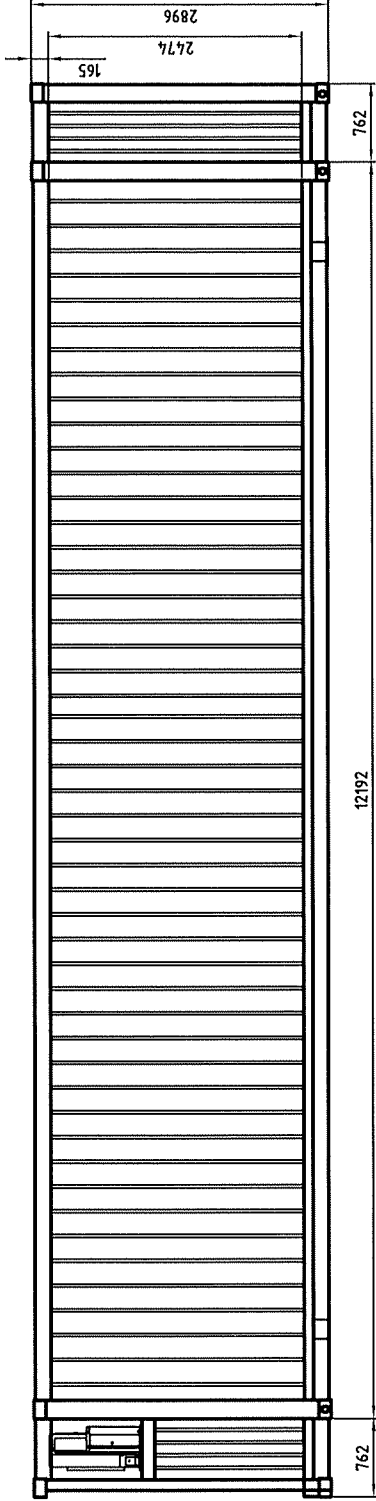
6

7

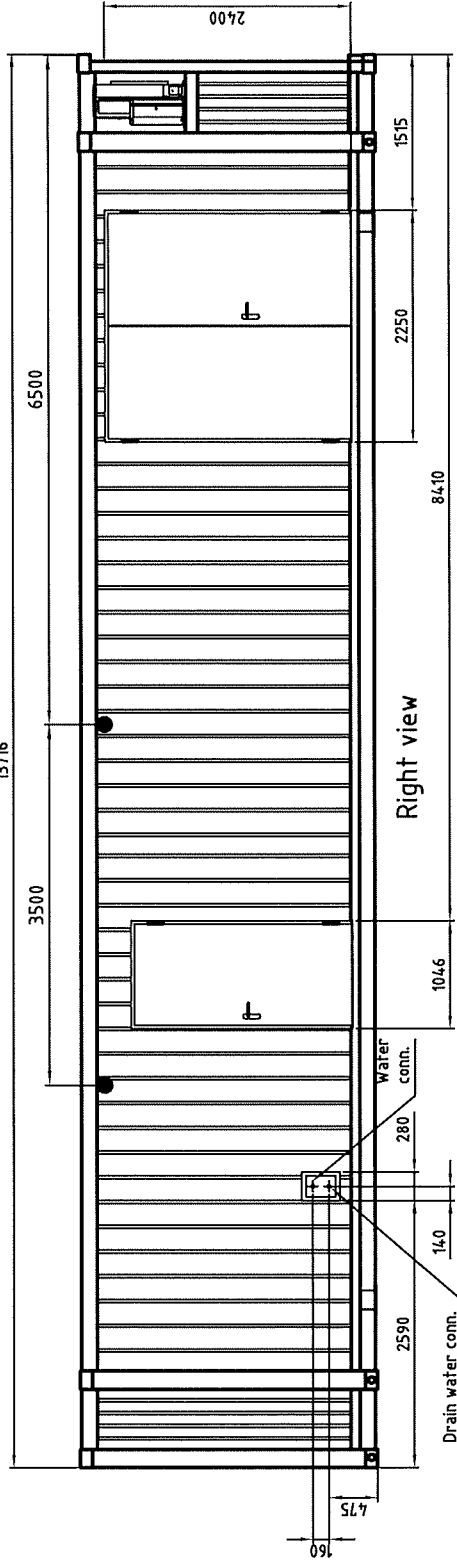
8



Front view



Left view



Right view

Covid-19 CT Scan Box 45 ft - SIEMENS

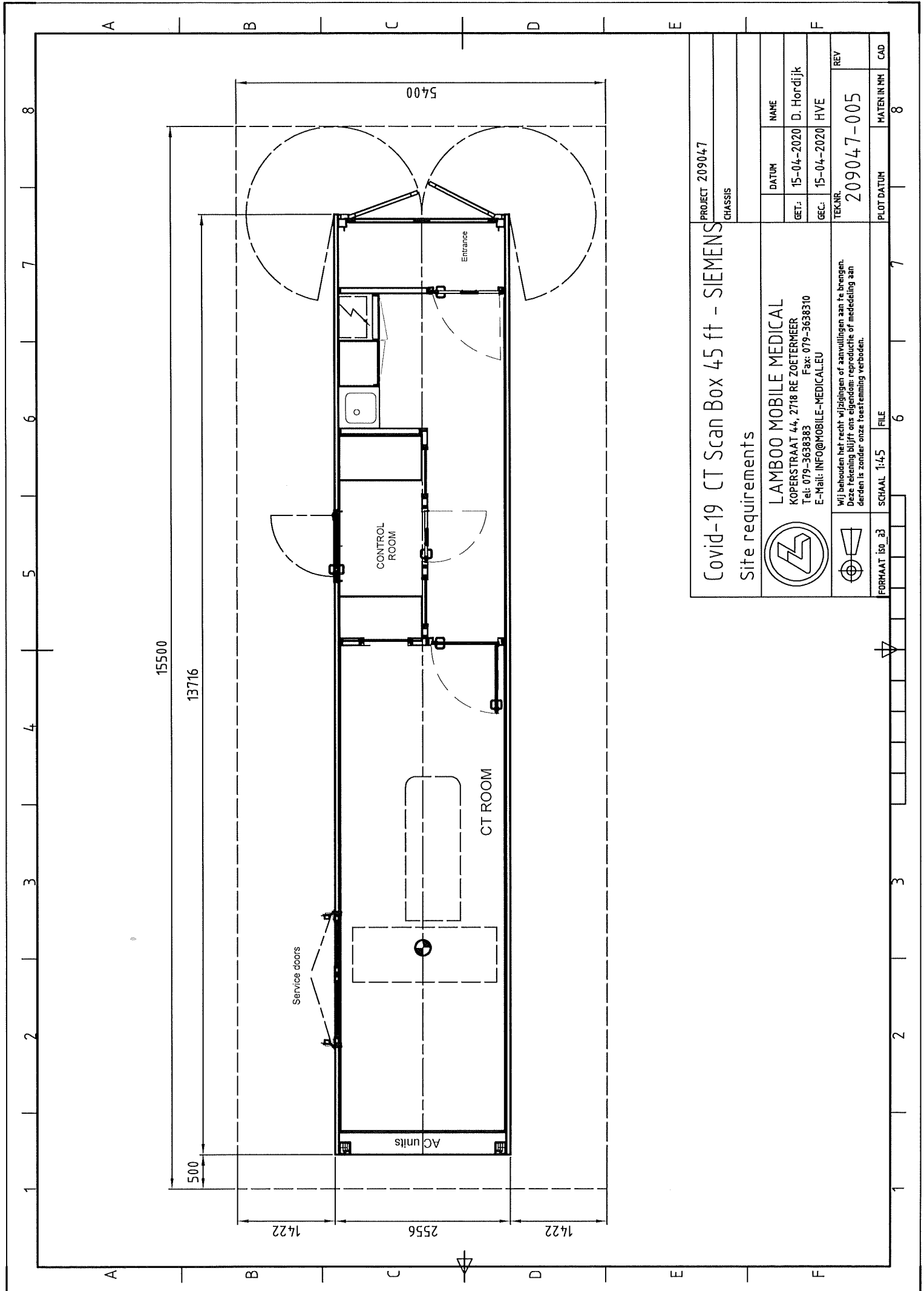
Exterior views

LAMBOO MOBILE MEDICAL
 KOPPERSTRAAT 44, 2718 RE ZOETERMEER
 Tel: 079-3638383 Fax: 079-3638310
 E-Mail: INFO@MOBILE-MEDICAL.NL

Wij behouden het recht wijzigingen of aanvullingen aan te brengen.
 Deze tekening heeft een beperkte houdbaarheid van
 maximaal 12 maanden na het tekeningsmoment.

PROJECT 209047	
CLASS	
DATE	NAME
07-04-2020	D. Herdijk
REV.	07-04-2020 RVE
TEGORE	209047-003
PROJECT	DATE
209047	07-04-2020
PROJECT	DATE
209047	07-04-2020

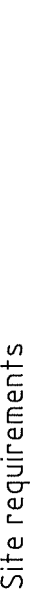
FORMAT	SCALE	FILE	PLANT	CAD
Bo. 2	1:35	FILE	8	CAD



PROJECT 209047

Covid-19 CT Scan Box 45 ft - SIEMENS

Site requirements



LAMBOO MOBILE MEDICAL
 KOPERSTRAAT 44, 2718 RE ZOETERMEER
 Tel: 079-3638383 Fax: 079-3638310
 E-Mail: INFO@MOBILE-MEDICALEU

Wij behouden het recht wijzigingen of aanvullingen aan te brengen.
 Deze tekening blijft ons eigendom; reproductie of mededeling aan
 derden is zonder onze toestemming verboden.

FORHAAT iso_a3 SCHAAAL 1:45 FILE PLOT DATUM MATEN IN MM CAD

CHASSIS	DATUM	NAME
	15-04-2020	D. Horstijk
	15-04-2020	HVE
TEK.NR.	209047-005	
REV		

PROJECT 209047

CHASSIS

DATUM 15-04-2020 NAME D. Horstijk

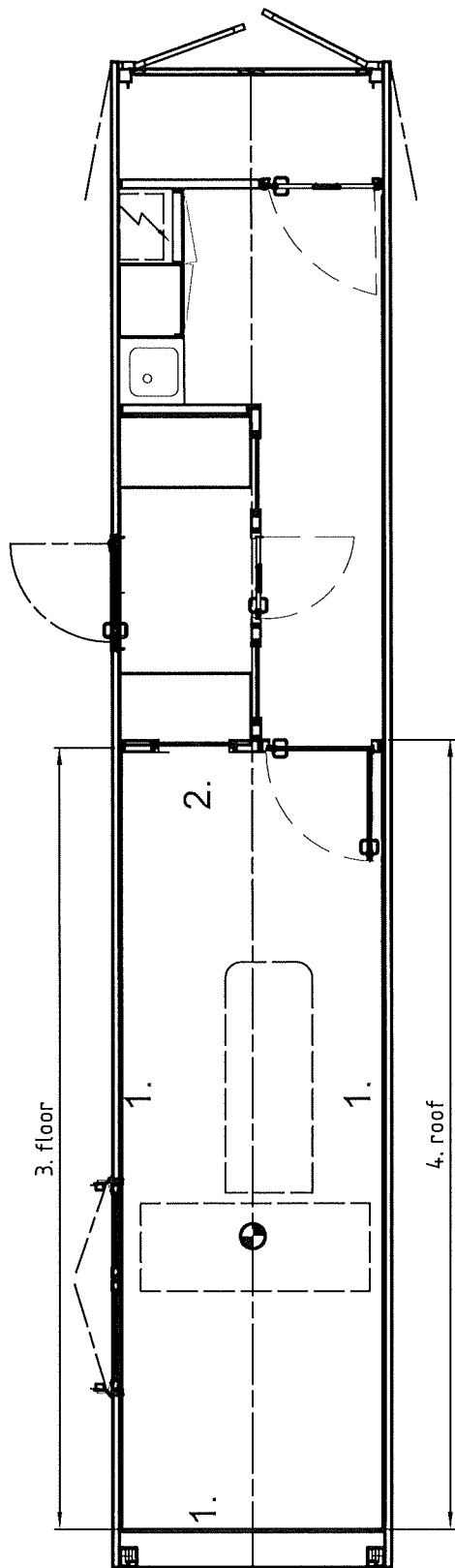
GEC. 15-04-2020 HVE

TEK.NR. 209047-005

REV

PLOT DATUM MATEN IN MM CAD

8



- 1. EXTERIOR WALLS EXAMINATION ROOM: 2.5 mm LEAD
- 2. SEPERATION WALL CONTROL ROOM: 2.5 mm LEAD
- WINDOWS SEPARATION WALL CONTROL ROOM & DOOR: 20 mm Steel
- 3. FLOOR EXAMINATION ROOM: 1.32 mm LEAD
- 4. ROOF EXAMINATION ROOM:

Covid-19 CT Scan Box 45 ft - SIEMENS

Radiation protection



LAMBOO MOBILE MEDICAL
 KOPERSTRAAT 44, 2718 RE ZOETERMEER
 Tel: 079-3638383 Fax: 079-3638310
 E-Mail: INFO@MOBILE-MEDICAL.EU

Wij behouden het recht wijzigingen of aanvullingen aan te brengen.
 Deze tekening blijft ons eigendom; reproductie of mededeling aan derden is zonder onze toestemming verboden.

PROJECT 20904.7	
CHASSIS	
DATUM	NAME
GET.: 15-04-2020	D. Hordijk
GEC.: 15-04-2020	HVE
TEK.NR.	REV
209047-007	
PLOT DATUM	MATEN IN MM
	8

FORMAAT iso_a3

SCHAAL 1:4.5

FILE

8

7

6

5

4

3

2

1

A

B

C

D

E

F

A

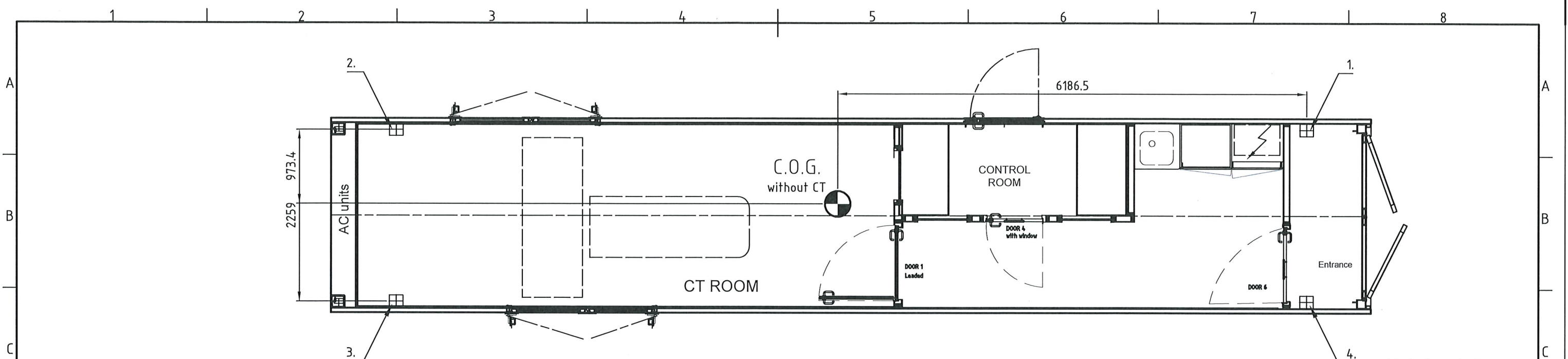
B

C

D

E

F



Hoist point roof

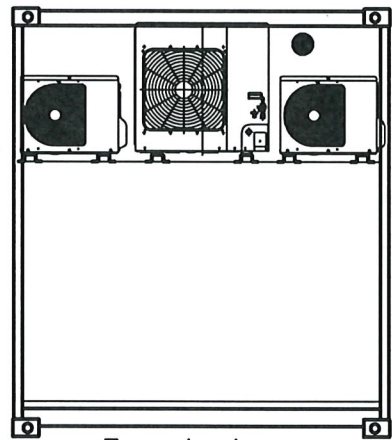


Hoist point roof

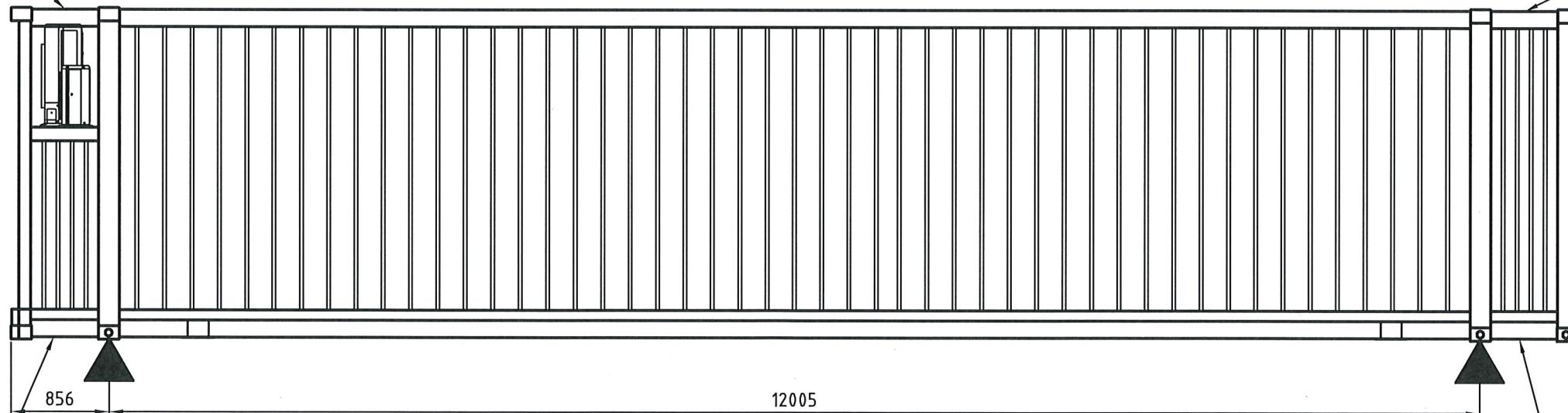


Hoist direction ↑

Hoist direction ↑



Front view



Hoist point frame


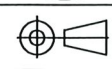


Hoist point frame



- 1= 3 794 kg
- 2= 4 012 kg
- 3= 3 047 kg
- 4= 2 856 kg

Total container weight
with out CT-system : 13 698 kg

Covid-19 CT Scan Box 45 ft - SIEMENS		PROJECT 209047	
Measurements weight & centre of gravity		CHASSIS	
 LAMBOO MOBILE MEDICAL KOPERSTRAAT 44, 2718 RE ZOETERMEER Tel: 079-3638383 Fax: 079-3638310 E-Mail: INFO@MOBILE-MEDICAL.EU	DATUM	NAME	
	GET.: 15-04-2020	D. Hordijk	
	GEC.: 15-04-2020	HVE	
 Wij behouden het recht wijzigingen of aanvullingen aan te brengen. Deze tekening blijft ons eigendom; reproductie of mededeling aan derden is zonder onze toestemming verboden.	TEK.NR.	REV	
FORMAAT iso_a2	209047-850	A	
SCHAAL 1:35	FILE	PLOT DATUM	MATEN IN MM CAD

A	16-04-2020	Weight values added	D. Hordijk
#	Date	Revision	Name