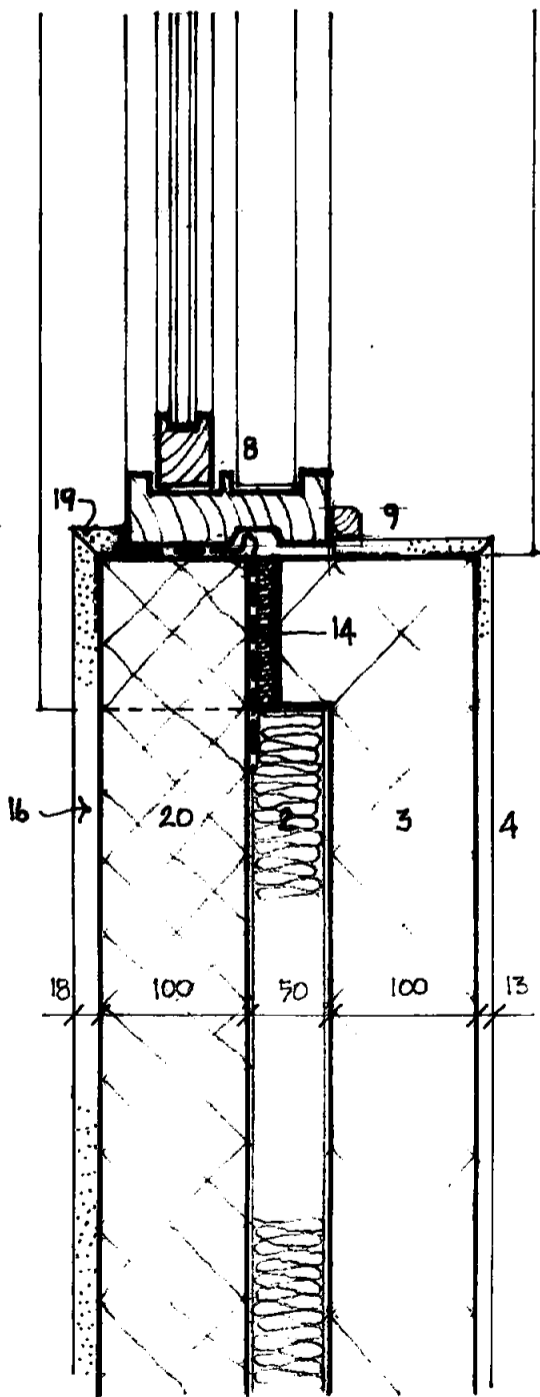


JAMB  
[BRICKWORK]

- 1 102 MM EXTERNAL LEAF FACING BRICKWORK
- 2 50 MM CAVITY WITH 50 MM CAVITY-FILL INSULATION 'ROCKWOOL' WALL-BATTS OR EQUIVALENT
- 3 100 MM INNER LEAF BLOCKWORK 7N/MM STRENGTH
- 4 13 MM PLASTER INTERNAL FINISH
- 8 TIMBER SASH WINDOW WITH SLIDE/TILT ACTION FOR CLEANING, AS JOHN CARR 'COMFORT SUPREME' WINDOWS OR EQUIVALENT; MASTIC POINTING TO BRICK
- 9 18 MM RADIUS COVER BEAD
- 14 INSULATED DPC AT JAMB 'DAMCOR' OR EQUIVALENT
- 16 'CEMENTO' BY SNOWCEM LTD. SELF-COLOURED SAND AND CEMENT RENDER FOR ONE-COAT APPLICATION COURSE LINES SCRIBED INTO SURFACE, ALL IN ACCORDANCE WITH MANUFACTURER'S INSTRUCTIONS
- 19 STAINLESS STEEL CORNER BEAD - MASTIC TO JUNCTION WITH TIMBER FRAME
- 20 100 MM EXTERNAL LEAF BLOCKWORK, BACKGROUNDS TO RENDER 7N/MM STRENGTH DENSE CONCRETE BLOCK



JAMB  
[RENDER]

LONDON BOROUGH OF CAMDEN  
 TOWN AND COUNTRY PLANNING ACTS  
 - 8 DEC 1997  
 PLANS APPROVED  
 ON BEHALF OF THE COUNCIL

P9700742

Drawing: WINDOW WALL DETAILS  
 Dwg No: 194 / 13  
 Client: IMFRAVIS LTD  
 Project: 62 CAMDEN ROAD, LONDON NW1

Scale: 1:5  
 Date: Dec 1996

**PETER HALEY ARCHITECTS**

07 BECHE ROAD • CAMBRIDGE • CB5 8HX • TEL. 01223-362257 • FAX. 01223-362257