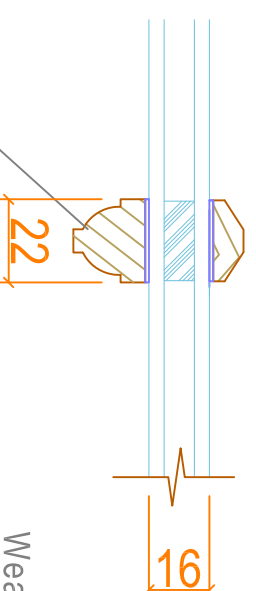


Putty profile hardwood glazing beads externally

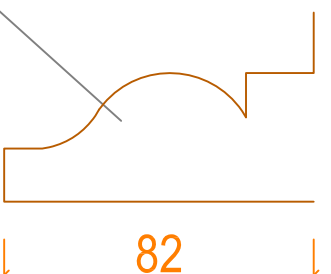
Traditional ovolo moulding closely copying originally intended detail

Glazing bar detail



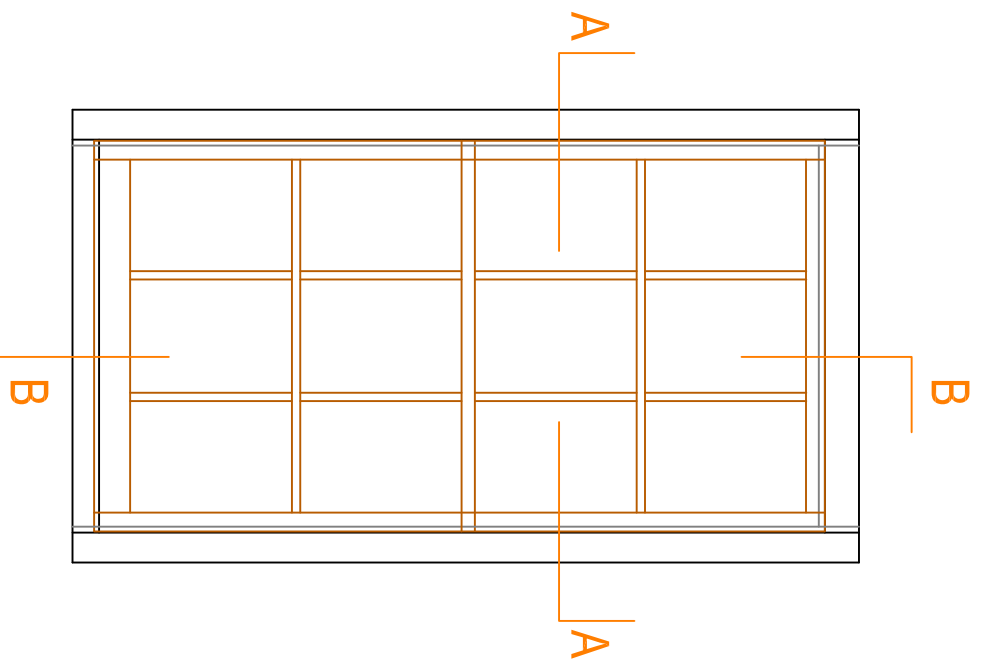
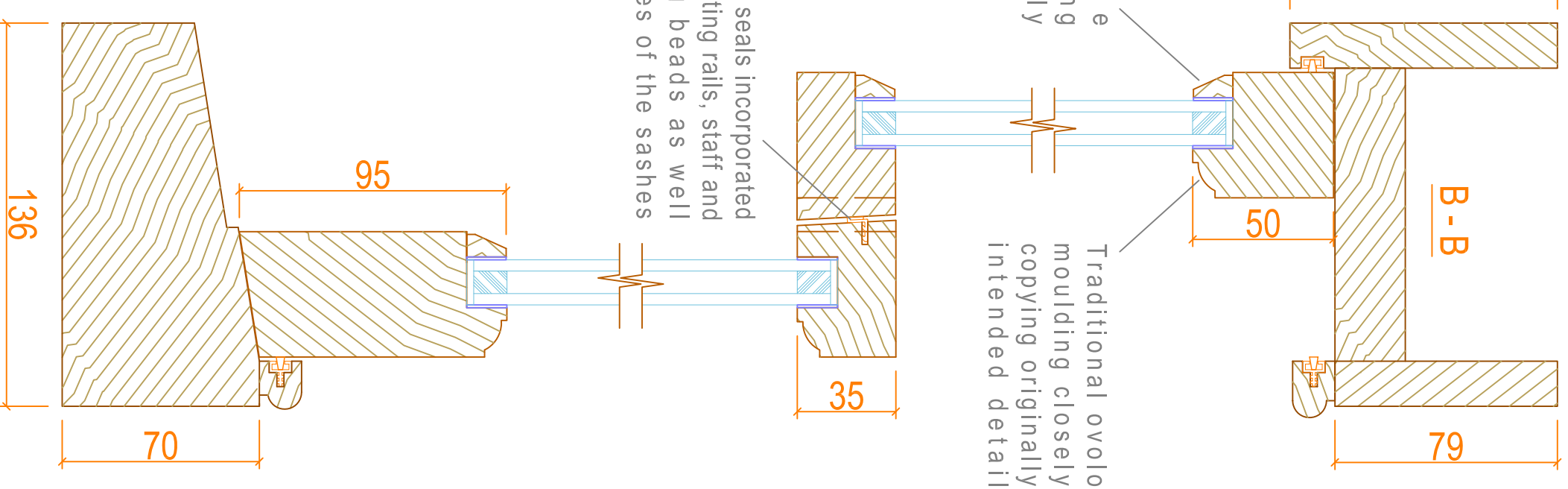
22mm glazing bars closely replicating the existing detail

Horn detail



Horn detail to ground floor front CH9 window closely copying existing

Weather seals incorporated into meeting rails, staff and parting beads as well as edges of the sashes



8 Chamberlain Street

Traditional SLIM SEAL CONSERVATION box sash windows with ropes, pulleys and weights, closely copying existing designs & detail

amodus
timber windows & doors

26 Kimble Road
London SW19 2AS
t: 0208 286 9279 m: 07866 385 447
www.amodus.co.uk

DO NOT SCALE OFF THIS DRAWING. ALL DIMENSIONS TO BE CHECKED PRIOR TO MANUFACTURE. ALL COPYRIGHTS RELATING TO THE DESIGN WORK CONTAINED ON THIS DRAWING TO BE RETAINED BY AMODUS TIMBER WINDOWS & DOORS LTD