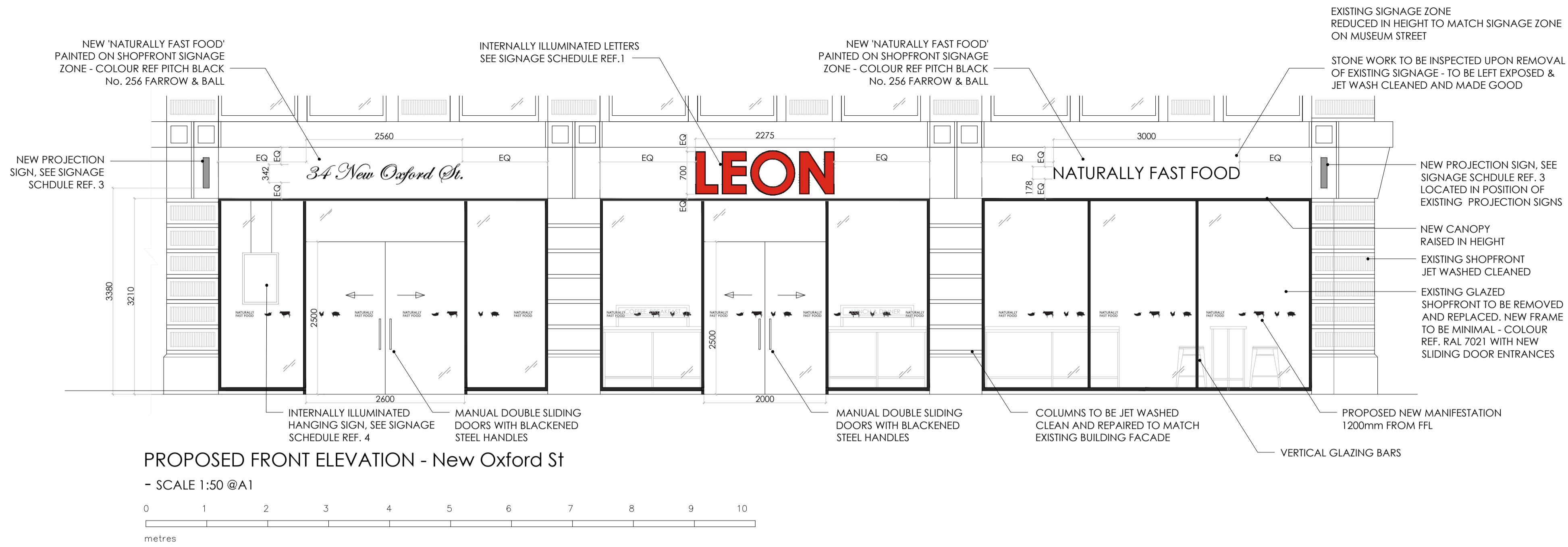


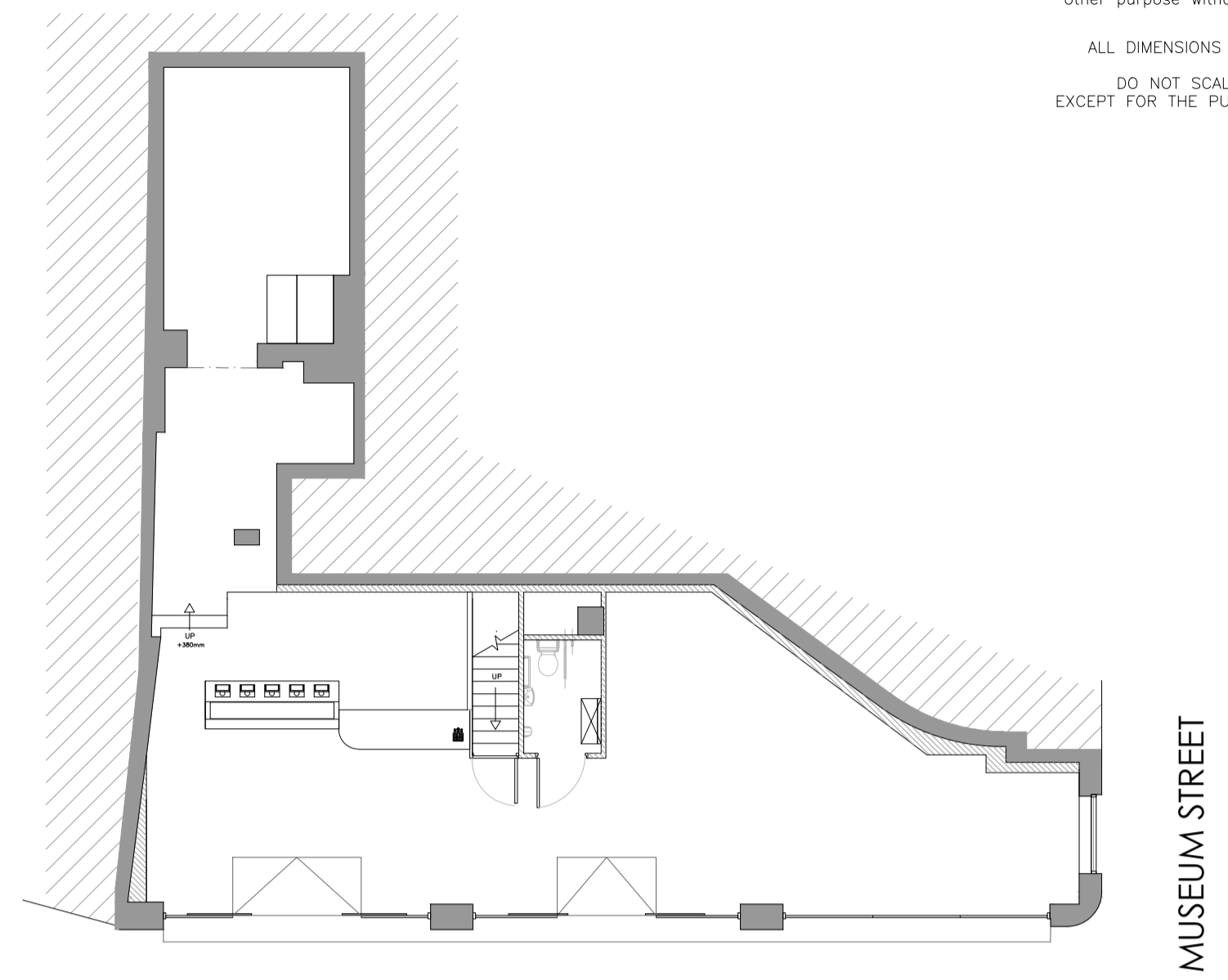
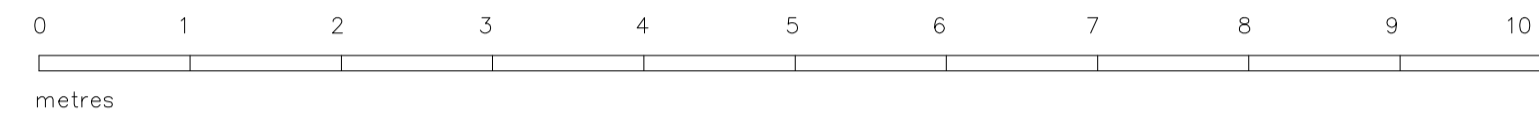
NOTES

This drawing and all the information shown is the property of @ architect ltd, and shall not be copied whole, or in part, or used for any other purpose without written permission of the company.
 ALL DIMENSIONS TO BE CHECKED ON SITE.
 DO NOT SCALE FROM THIS DRAWING EXCEPT FOR THE PURPOSES OF LOCAL AUTHORITY PLANNING



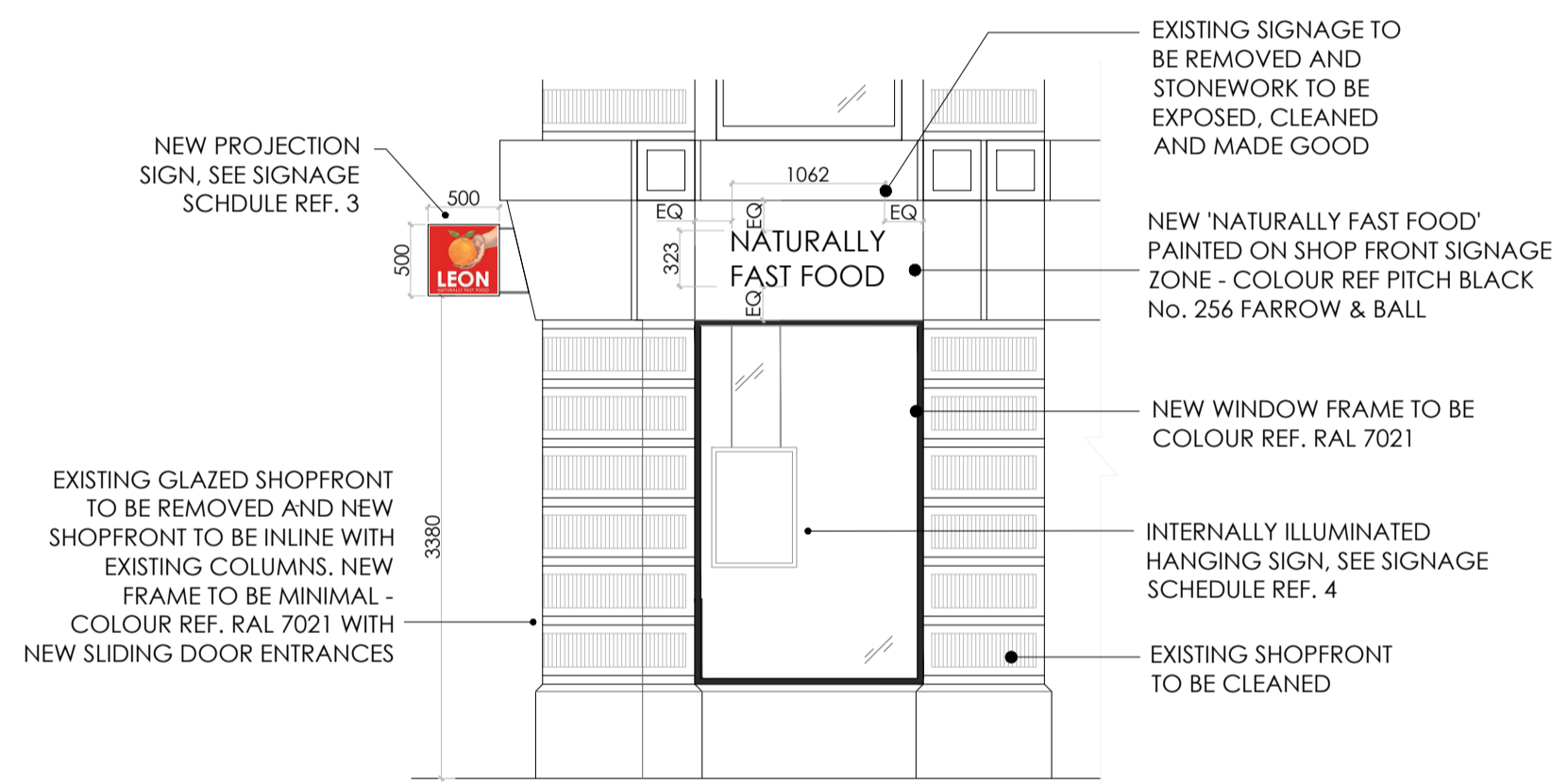
PROPOSED FRONT ELEVATION - New Oxford St

- SCALE 1:50 @A1



NEW OXFORD STREET

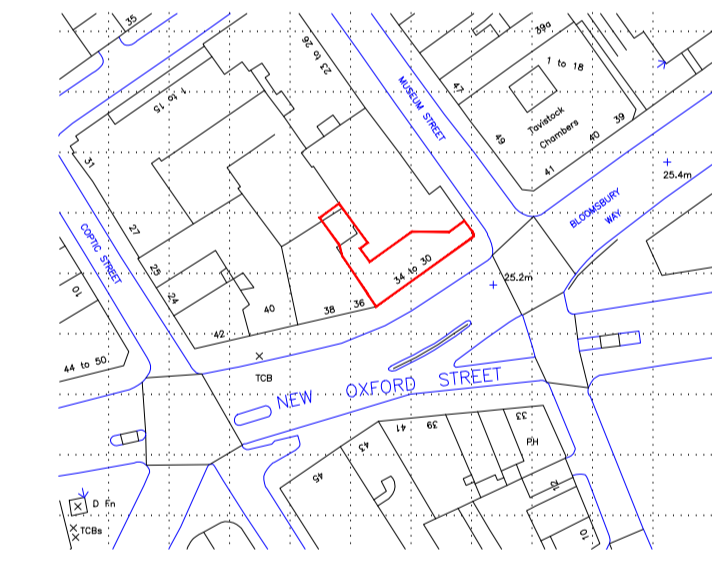
PROPOSED GROUND FLOOR PLAN - NTS



PROPOSED SIDE ELEVATION - Museum St

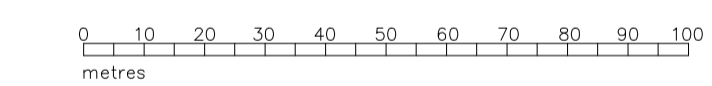
- SCALE 1:50 @A1

EXTERNAL SIGNAGE SCHEDULE		
REF	IMAGE	DESCRIPTION
1		1No. 700H X 2275W X 100mm NEW LEON BRAND NAME LETTERS CONSTRUCTED FROM CORTEN STEEL WITH WELDED AND DRESSED CORNERS AND CLEAR LACQUERED. LETTER FACES IN TRANSLUCENT RED ACRYLIC TO MATCH PANTONE 485C RED. INDIVIDUAL ELECTRICAL FEEDS DRILLED THROUGH BEHIND EACH LETTER. LETTERS ARE INTERNALLY ILLUMINATED WITH RED LEDS - SEE LIGHTING DETAIL 1 LUMINANCE LEVEL = 250 CANDELA PER SQM
2		OMITTED
3		2No. 500H x 500W x 120mm PROJECTION SIGN (150mm height lettering) APPROX. 3380mm ABOVE PAVEMENT SIGN CONSTRUCTED FROM CORTEN STEEL WITH WELDED AND DRESSED CORNERS AND CLEAR LACQUERED. HAND LOGO INTERNALLY ILLUMINATED WITH BRIGHT WHITE LEDS - SEE LIGHTING DETAIL 2 LUMINANCE LEVEL = 250 CANDELA PER SQM
4		840H x 595W x 80mm DEEP 2NO. INTERNALLY ILLUMINATED POSTER POSITIONED INTERNALLY BEHIND SHOPFRONT. CONSTRUCTED FROM CORTEN STEEL. FACE PANELS MADE FROM 6mm TOUGHENED GLASS. GRAPHICS TO BE CHANGEABLE AND OF CO-OPERATIVE COLOURS. INTERNAL ILLUMINATION VIA WHITE LEDS LUMINANCE LEVEL = 250 CANDELA PER SQM



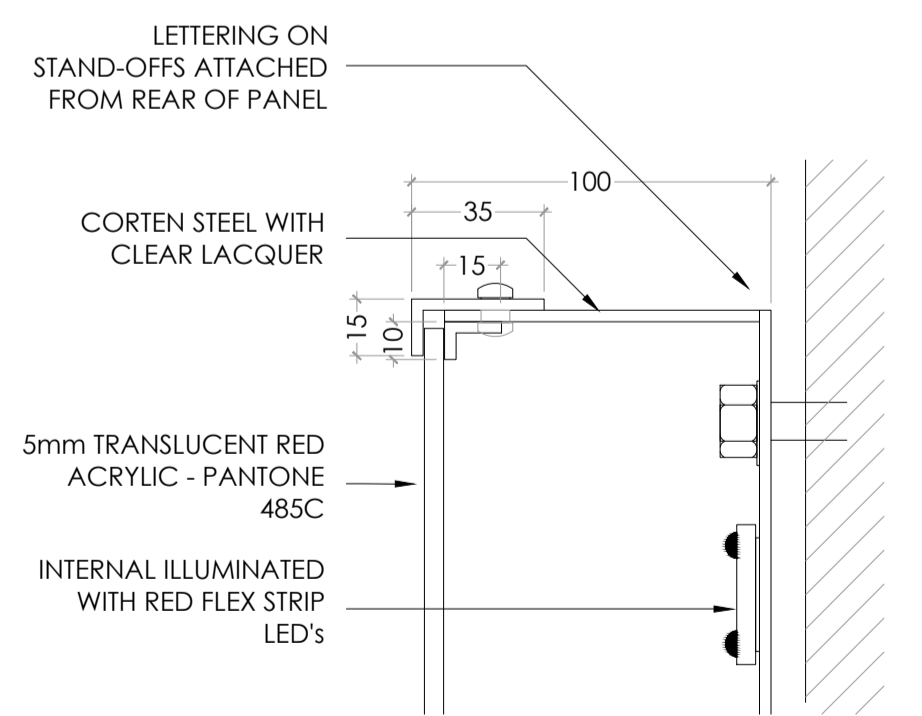
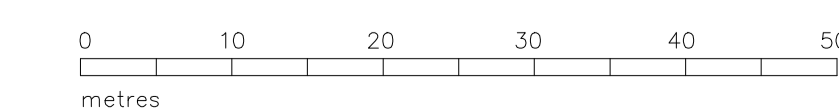
LOCATION PLAN

- SCALE 1:1250 @A1

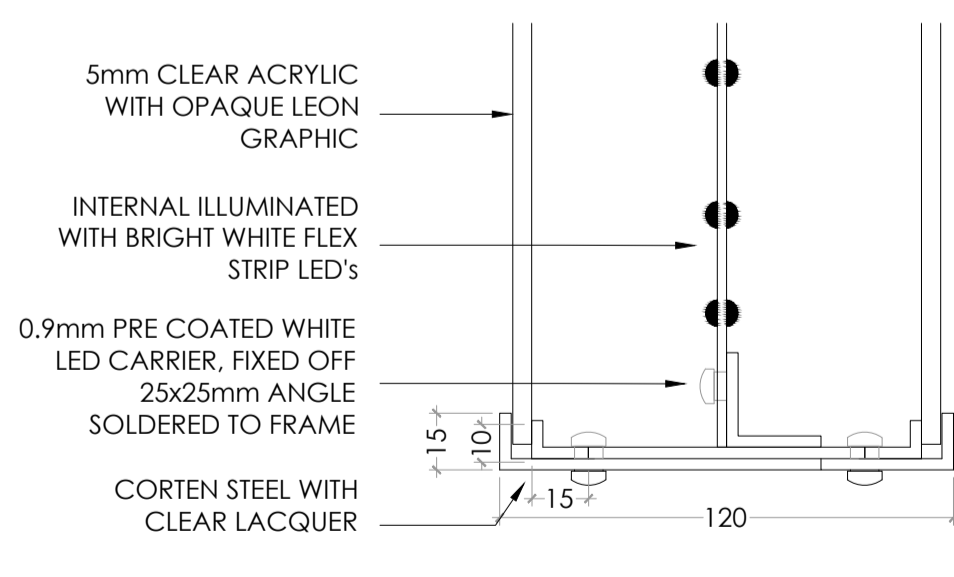


BLOCK PLAN

- SCALE 1:500 @A1



LETTERING SIGN DETAIL 1 - SCALE 1:2 @A1



PROJECTION SIGN DETAIL 2 - SCALE 1:2 @A1

architect ltd
 suite 2
 clocktower house
 west hamdon
 cm13 3xl
 tel.: 01708 477899
 fax: 0709 223 4930
 e: office@architect.ltd.uk
 web: www.architect.ltd.uk

LEON

Job Title
 34 New Oxford Street
 London
 19.0211

Drawing Title
 Proposed
 Plans & Elevations

Scale 1:50 Sheet size A1

Date DEC '19 Drn. by RB

Org. No. PL02 Rev. B