

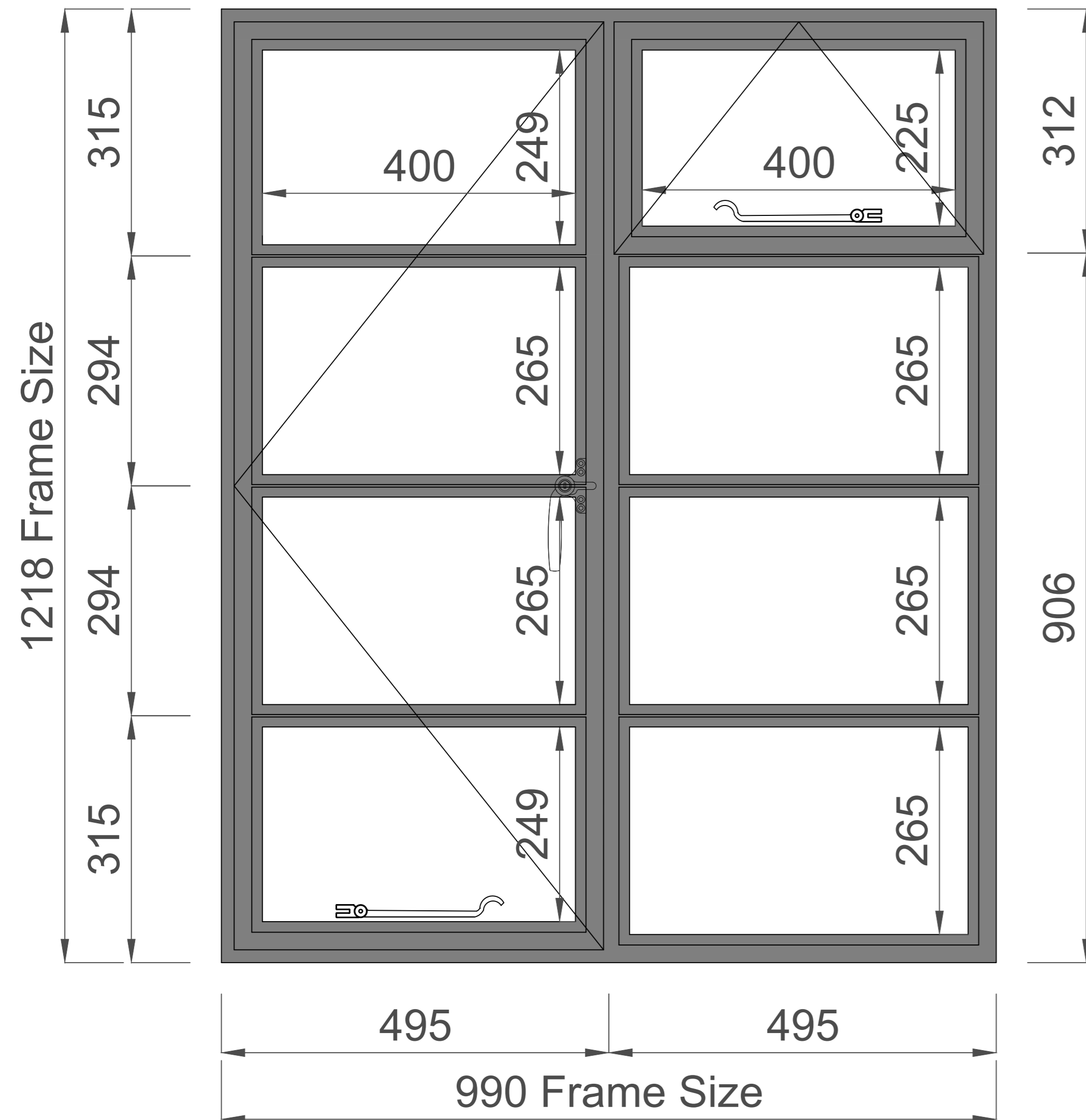
BESPOKE GLAZING
DESIGN

Howard Davies

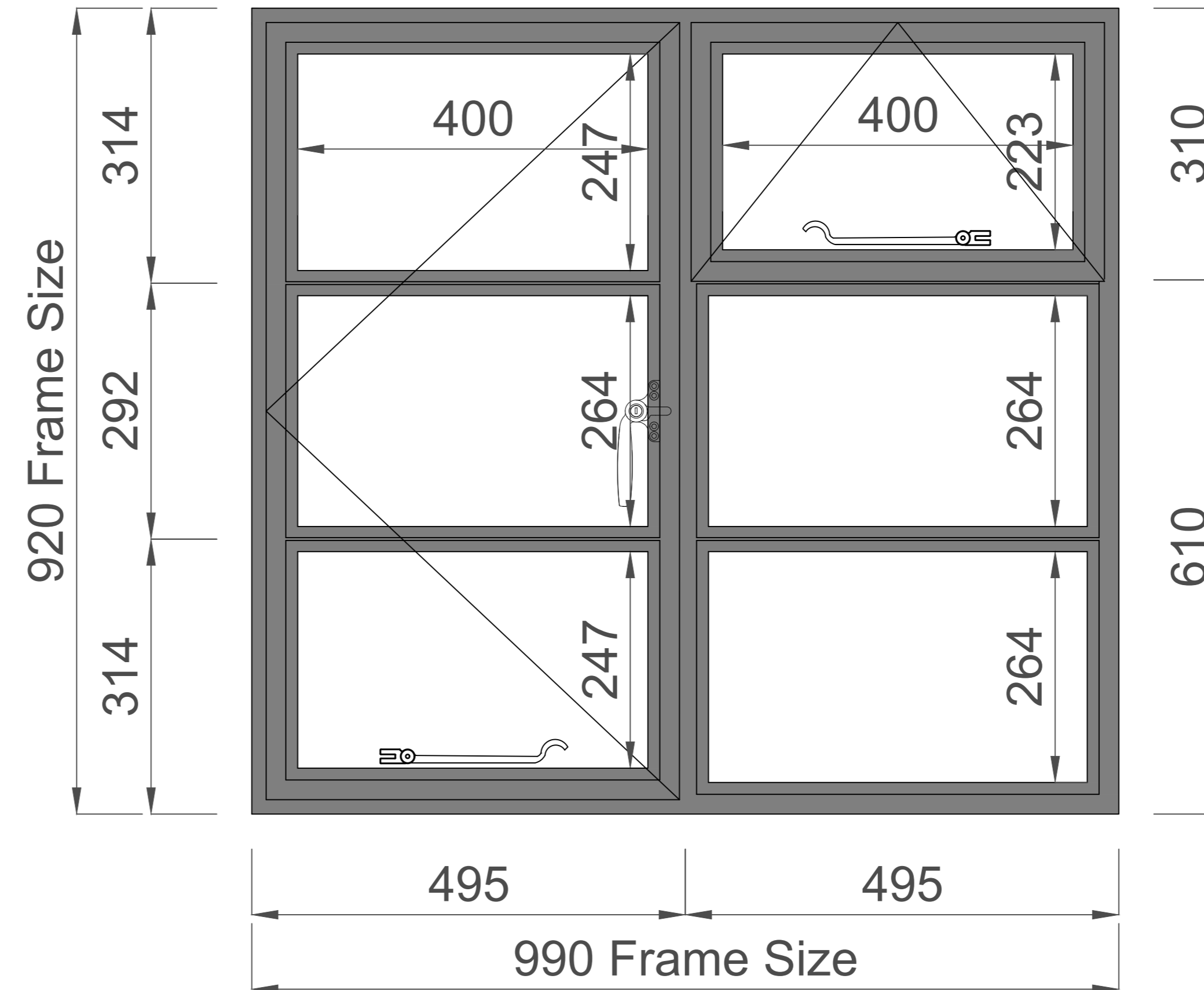
9 Holly Terrace

BGD20052

All Elevations Are Viewed From Outside



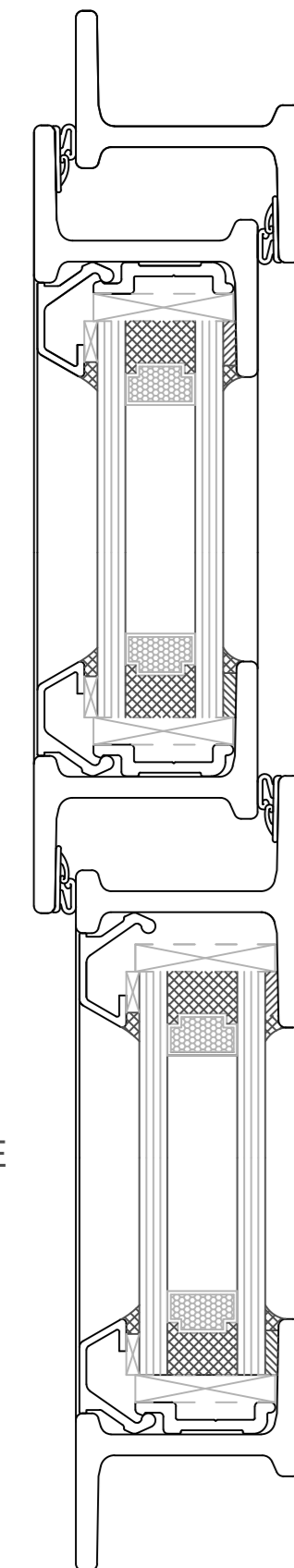
ITEM 1
QTY 1



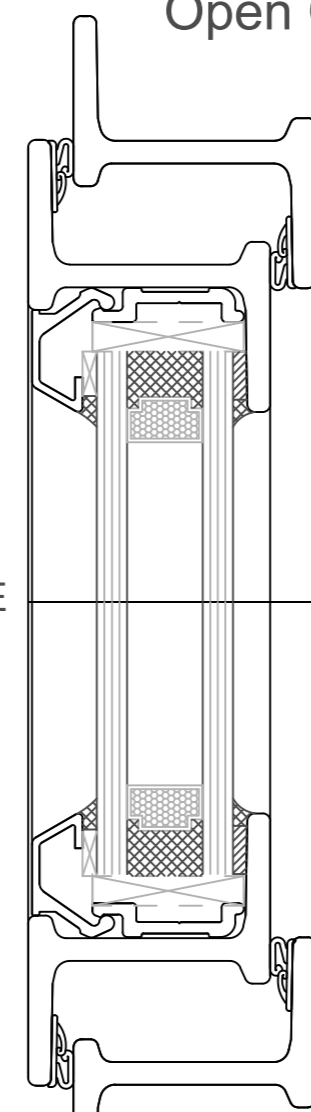
ITEM 2
QTY 1

SPECIFICATION:
ELEVATIONS - VIEWED FROM OUTSIDE
SECTIONS - HOMELIGHT PLUS STEEL
SIZES - TO O/ALL FRAME SIZE
GLAZING - GLAZED OUT 1599/1600 BEAD FOR 16mm DGU
GLAZING BARS - WT2/9811 SECTION
FITTINGS -
SIDE HUNG CASEMENTS
 1 PAIR: NON - PROJ. NON FRIC. HINGES
 1No. 195 STRAIGHT HANDLE (LOCKING) IN (RTD) ROTO TONE DAR FINISH
 1No. 395 STRAIGHT PEGSTAY (LOCKING) IN (RTD) ROTO TONE DAR FINISH
TOP HUNG CASEMENTS
 1 PAIR: NON - PROJ. NON FRIC. HINGES
 1No. 395 STRAIGHT PEGSTAY (LOCKING) IN (RTD) ROTO TONE DAR FINISH
FIXED AND GLAZED BY BESPOKE GLAZING DESIGN.
PAINT FINISH - RAL9911 MATT - CRITTALL WHITE.
SILICON COLOUR WHITE
GLASS SPECIFICATION -
 EXTERNAL: 4mm TOUGHENED LOW IRON
 CAVITY: 8mm KRYPTONWHITE SPACER
 INTERNAL: 4mm TOUGHENED PLANITHERM TOTAL +

Window Head Detail

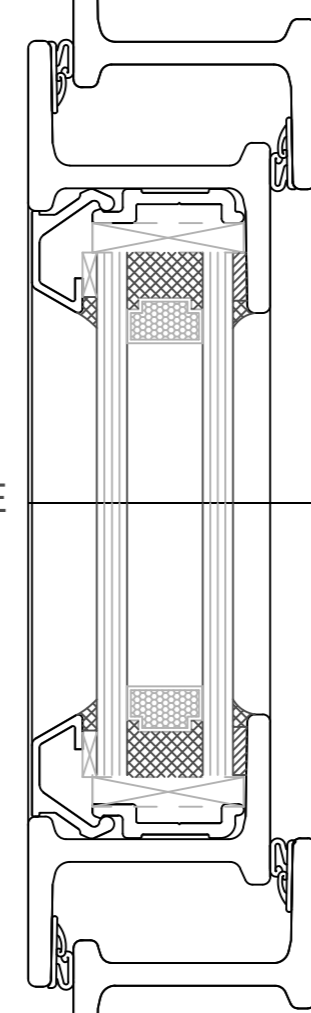


Head Window Open Out



OUTSIDE

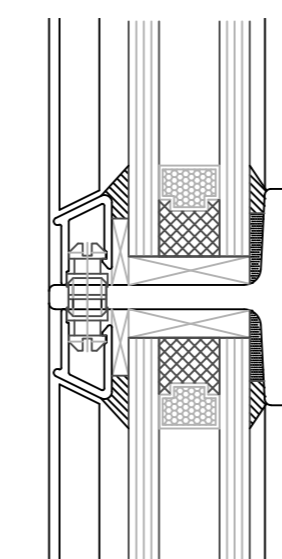
Bottom Window Open Out



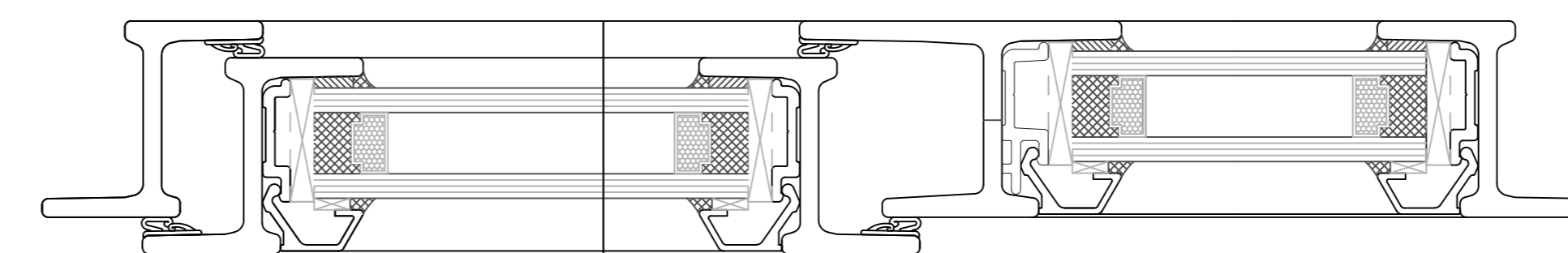
Sub-light bar horizontal meeting rail

Fixed Light Bottom Detail

OUTSIDE



29 Glazing Bar



Jam Window Open Out

OUTSIDE

Sub-light bar vertical - horizontal meeting rail

Fixed Light Jamb Detail



All Dimensions Are In Millimeters
 All Dimensions To Be Checked On-Site
 Scale@A1: 1:1 & 1:8 - DO NOT SCALE SIZES OFF DRAWINGS

Client Name	Project No.
Howard Davies	BGD20052

Installation Address
 9 Holly Terrace
 Higgate West Hill
 London
 N6 6LX

Drawn By	Date
Maria Villaverde	21/04/2020

Sheet Number	Items	Revision
1	2	-

Client Approval Signature