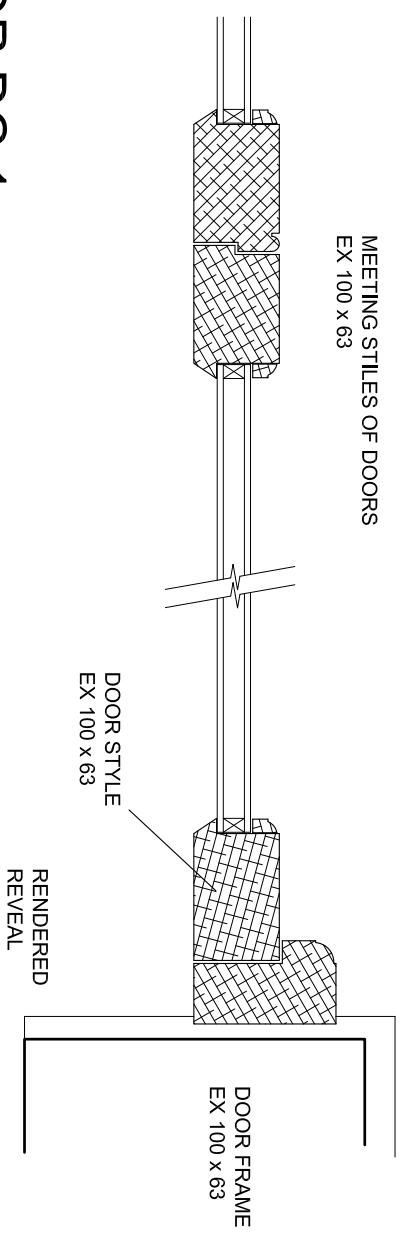


WINDOW WG.2

DOOR DG.1



REVISIONS		
Rev	Date	Detail

NOTES	
1.	DO NOT SCALE THIS DRAWING
2.	ALL DIMENSIONS TO BE CONFIRMED ON SITE
3.	DRAWINGS TO BE READ IN CONJUNCTION WITH SPECIFICATION AND ENGINEERS DRAWINGS.

<p>© Caryatid Ltd 2020</p>	<p>CARYATID architects 20 Kings Avenue : Muswell Hill LONDON : N10 1PB Tel : 020 8444 6197</p>	<p>TITLE: PROPOSED ALTERATIONS 9 HOLLY TERRACE HIGHGATE N6 6LX for The Robert Anderson Trust</p>	<p>DRAWING: PROPOSED WINDOW & DOOR DETAILS</p>
<p>Date: 24-04-2020</p>	<p>Drawn by: mjl</p>	<p>Scale: 1:5 (A3)</p>	<p>Drawn No.: 1902-21</p>