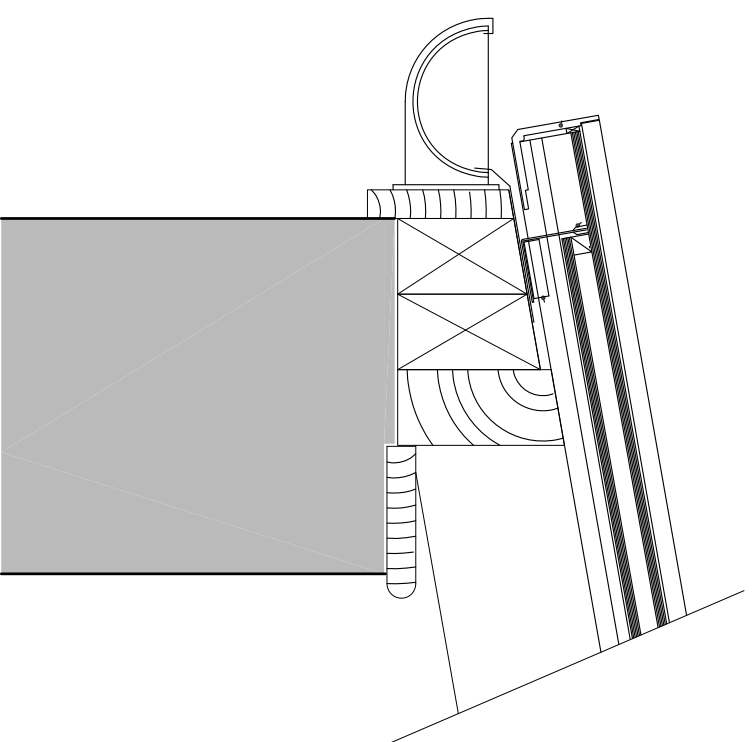
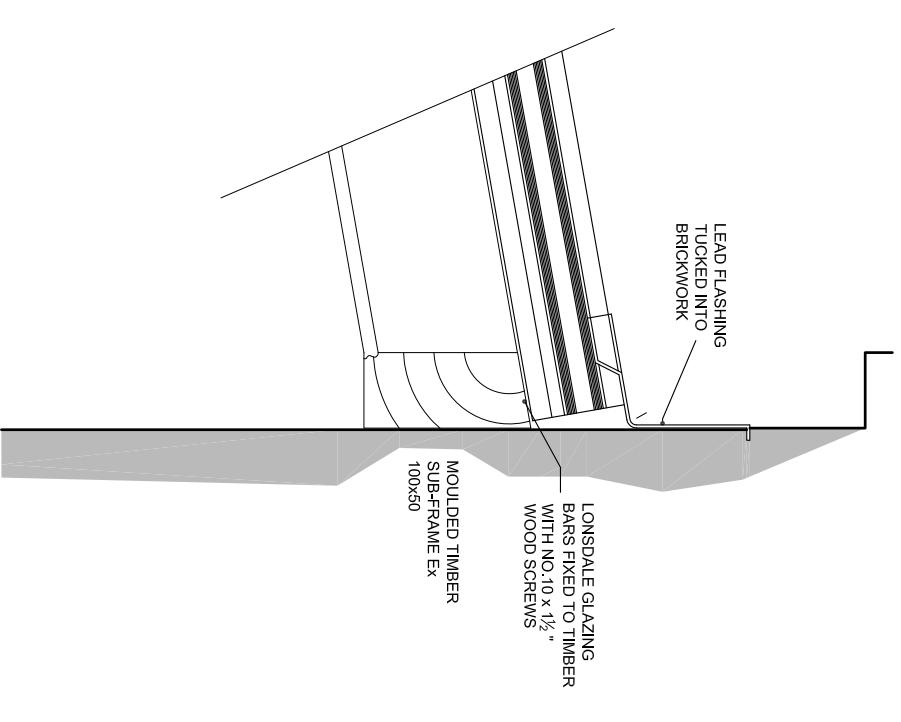


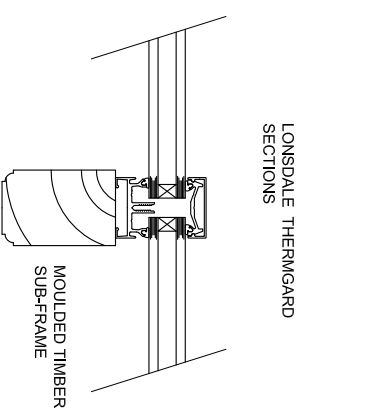
DETAIL W1
JUNCTION OF PATENT GLAZING WITH FRENCH DOOR



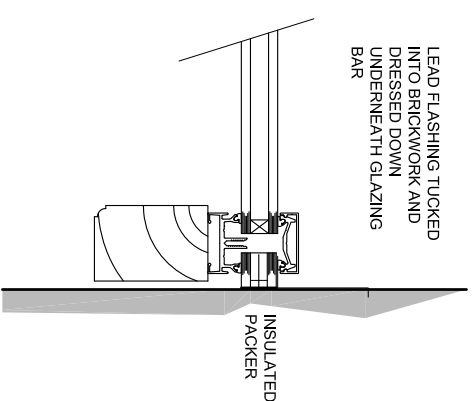
DETAIL W2
JUNCTION OF PATENT GLAZING WITH BRICK REAR WALL



DETAIL X
JUNCTION OF TOP OF PATENT GLAZING WITH MAIN WALL OF HOUSE



DETAIL Y
CENTRAL PATENT
GLAZING MULLION



DETAIL Z
JUNCTION OF PATENT
GLAZING MULLION WITH
SIDE WALL

REVISIONS

Rev	Date	Detail

NOTES

1. ALL DIMENSIONS TO BE CONFIRMED ON SITE
2. DRAWINGS TO BE READ IN CONJUNCTION WITH SPECIFICATION AND ENGINEERS' DRAWINGS.

© Caryatid Ltd 2019



CARYATID architects

20 Kings Avenue · Muswell Hill
LONDON · N10 1PB
Tel : 020 8444 6197

Date : 25-11-2019

Drawn By : mjl

TITLE:

PROPOSED ALTERATIONS
9 HOLLY TERRACE
HIGHGATE N6 6LX
for The Robert Anderson Trust

Scale : 1:5 (A3)

Revised :

DRAWING:

PROPOSED GLAZED ROOF
DETAILS

DWG NO. :

1902-20