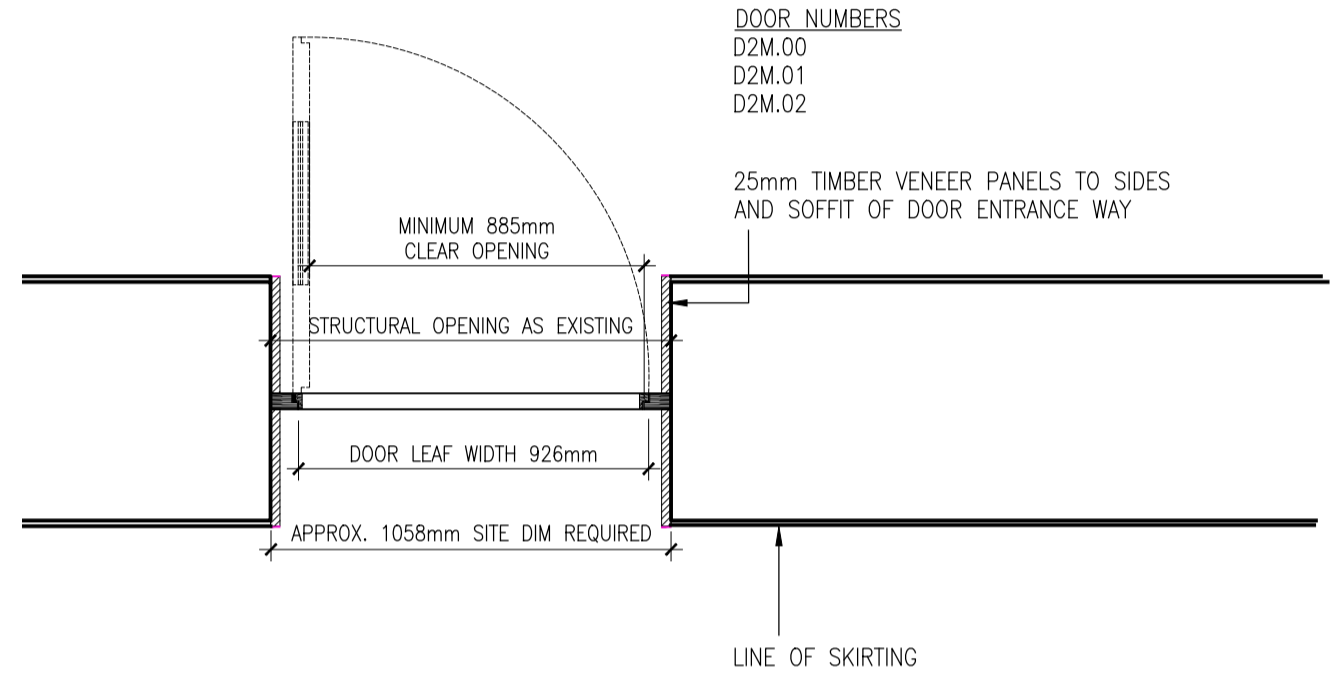
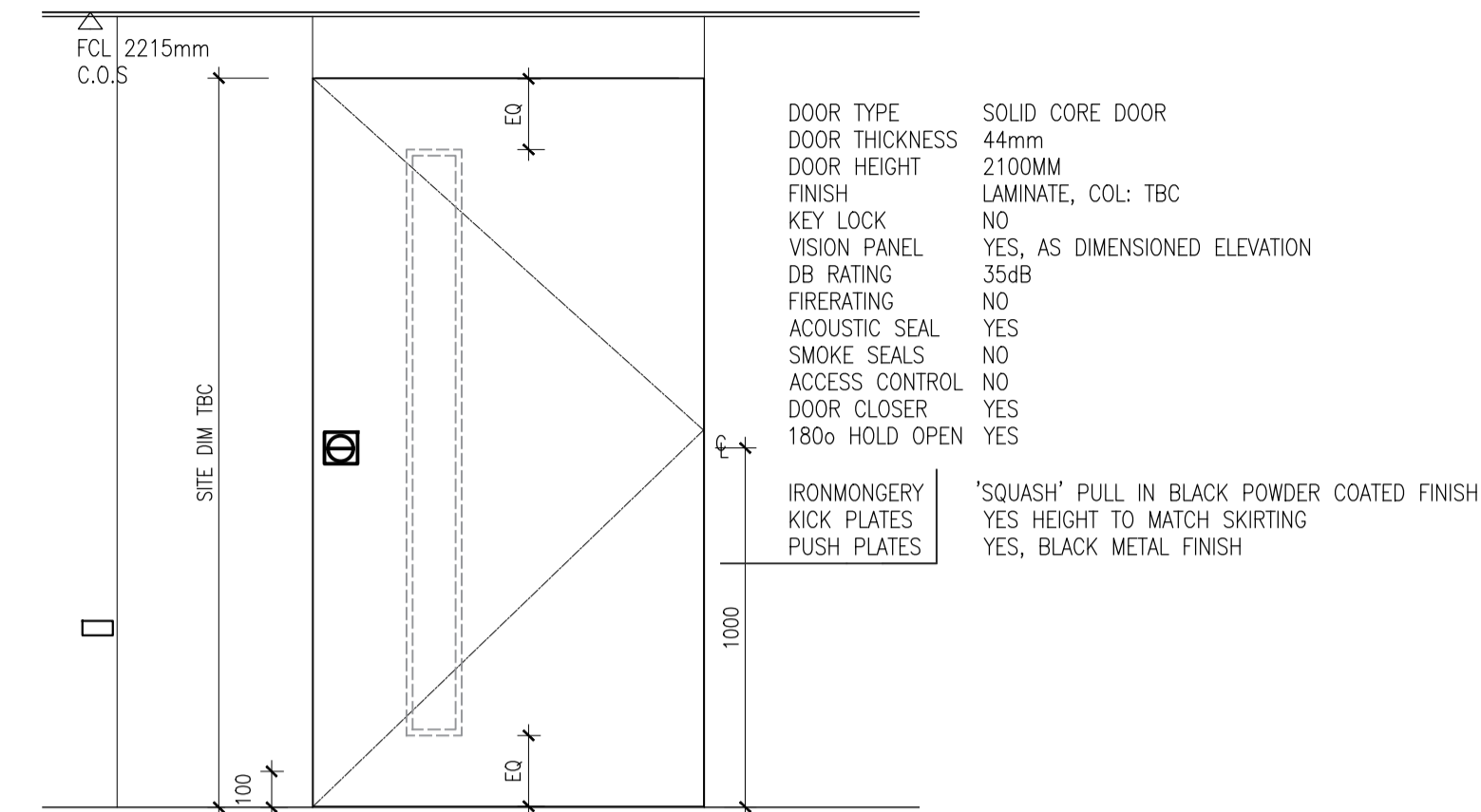


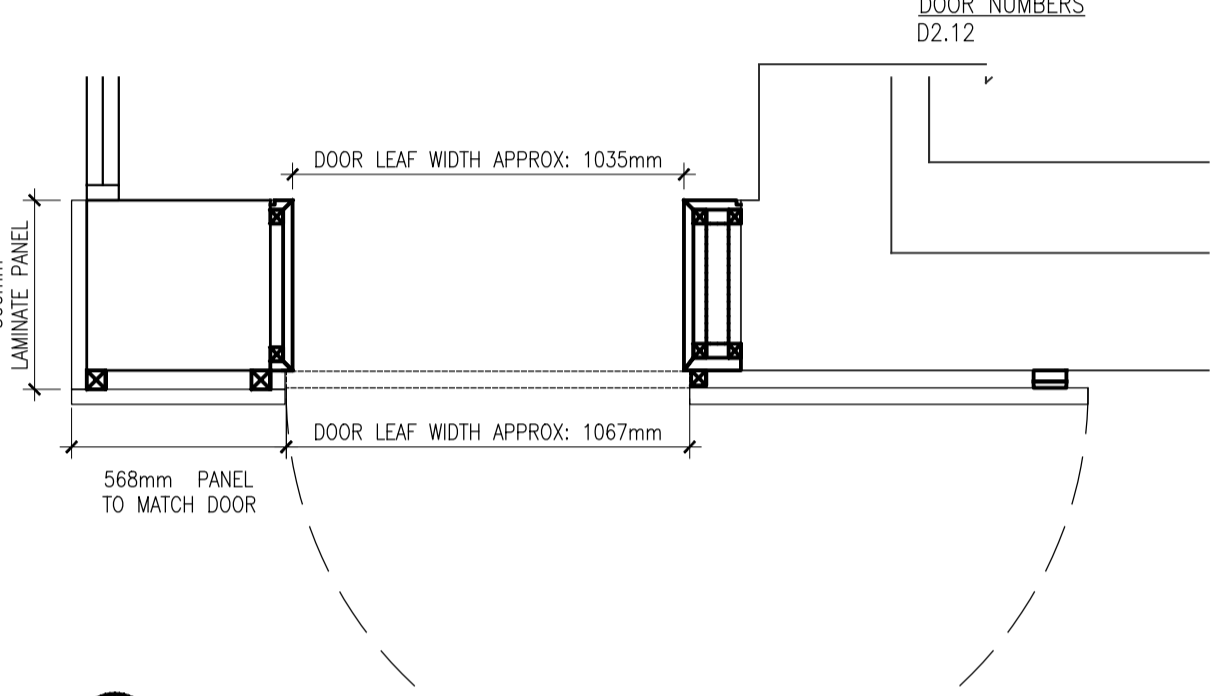
- DOOR TYPE: SOLID CORE REBATED TIMBER DOOR  
 DOOR THICKNESS: 44mm REBATED  
 DOOR HEIGHT: 2100mm CHECK ON SITE  
 FINISH: OAK VENEER  
 KEY LOCK: NO  
 VISION PANEL: YES, AS DIMENSIONED ELEVATION  
 DB RATING: 35dB  
 FIRERATING: NO  
 ACOUSTIC SEAL: YES  
 SMOKE SEALS: NO  
 ACCESS CONTROL: NO  
 DOOR CLOSER: YES, SUITABLE FOR DOOR TYPE  
 90° HOLD OPEN: YES  
 IRONMONGERY (DOOR HANDLE) LEVER HANDLE, BACK TO BACK, BLACK POWDER COATED FINISH  
 KICK PLATES: NO  
 PUSH PLATES: NO



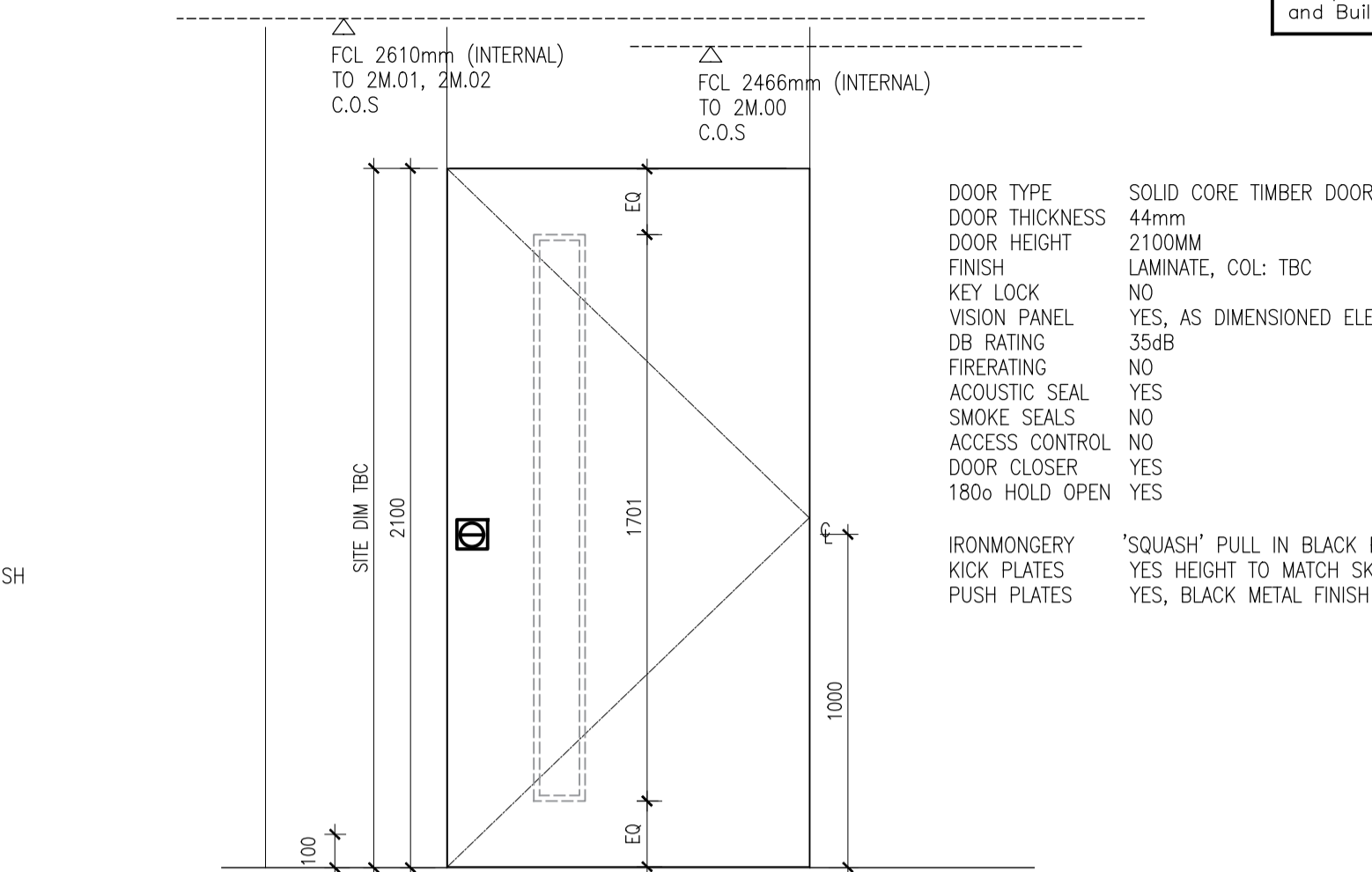
D1 DOOR TYPES D1 MEETING ROOMS  
 SCALE 1:20



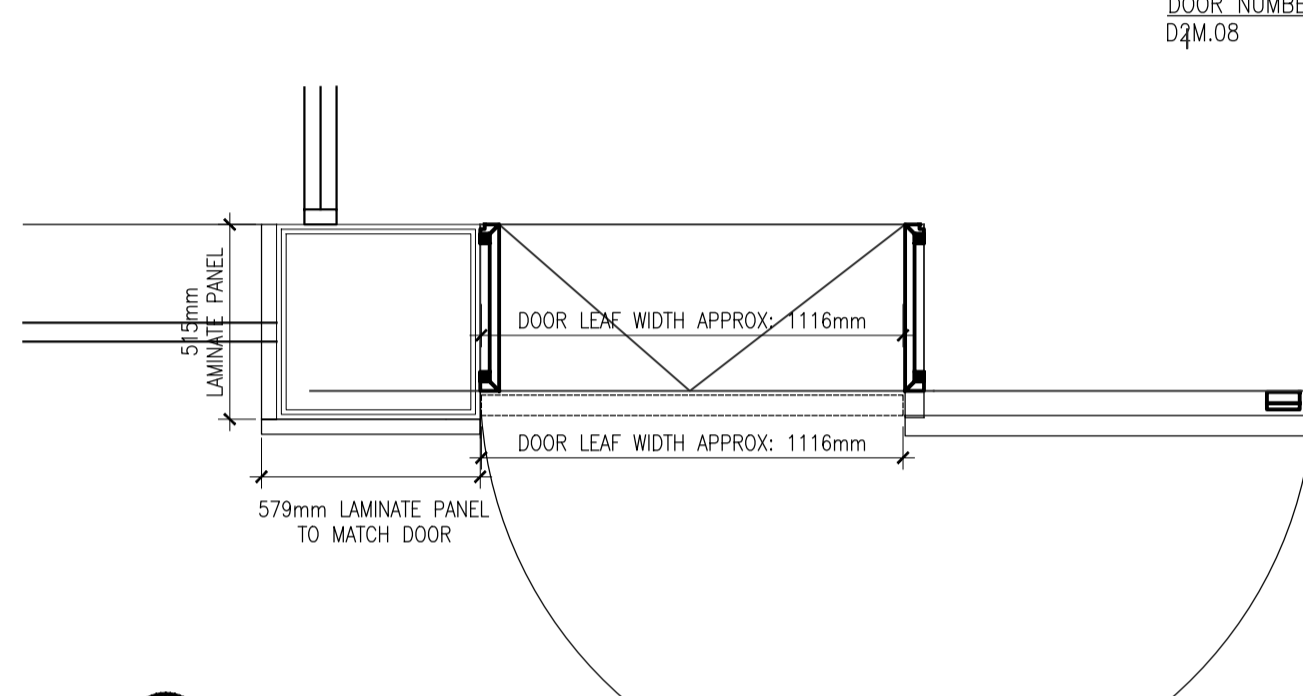
- DOOR TYPE: SOLID CORE DOOR  
 DOOR THICKNESS: 44mm  
 DOOR HEIGHT: 2100MM  
 FINISH: LAMINATE, COL: TBC  
 KEY LOCK: NO  
 VISION PANEL: YES, AS DIMENSIONED ELEVATION  
 DB RATING: 35dB  
 FIRERATING: NO  
 ACOUSTIC SEAL: YES  
 SMOKE SEALS: NO  
 ACCESS CONTROL: NO  
 DOOR CLOSER: YES  
 180° HOLD OPEN: YES  
 IRONMONGERY KICK PLATES: 'SQUASH' PULL IN BLACK POWDER COATED FINISH  
 PUSH PLATES: YES, BLACK METAL FINISH



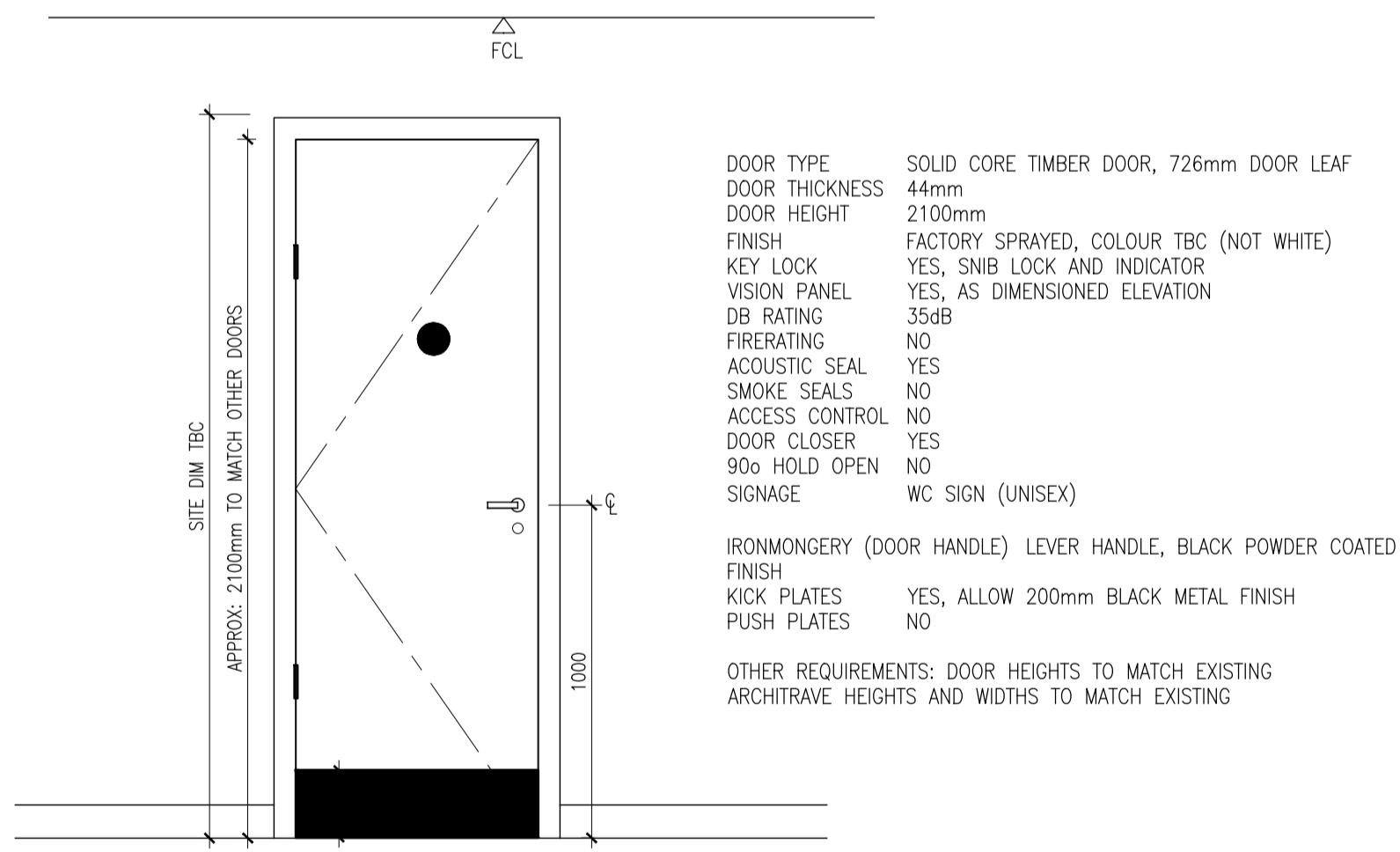
D2 DOOR TYPES D2 LIFT LOBBY LEVEL 2  
 SCALE 1:20



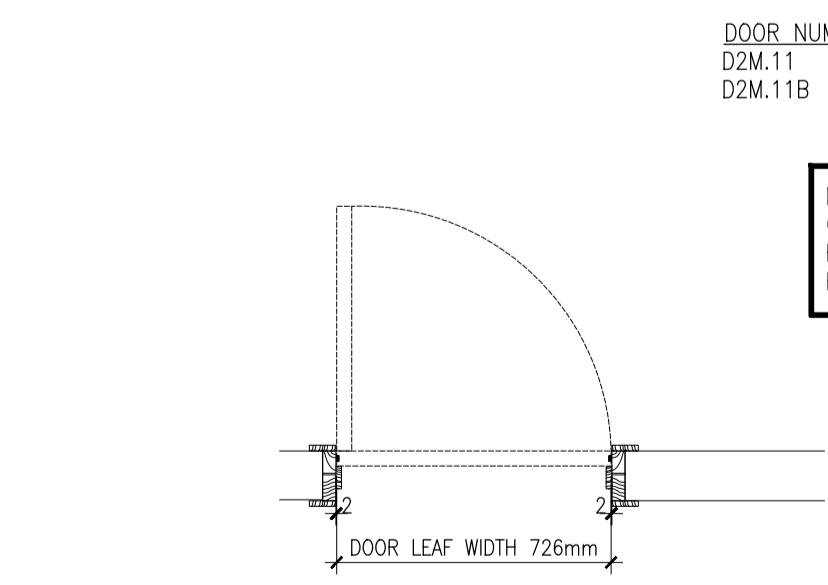
- DOOR TYPE: SOLID CORE TIMBER DOOR  
 DOOR THICKNESS: 44mm  
 DOOR HEIGHT: 2100MM  
 FINISH: LAMINATE, COL: TBC  
 KEY LOCK: NO  
 VISION PANEL: YES, AS DIMENSIONED ELEVATION  
 DB RATING: 35dB  
 FIRERATING: NO  
 ACOUSTIC SEAL: YES  
 SMOKE SEALS: NO  
 ACCESS CONTROL: NO  
 DOOR CLOSER: YES  
 180° HOLD OPEN: YES  
 IRONMONGERY KICK PLATES: 'SQUASH' PULL IN BLACK POWDER COATED FINISH  
 PUSH PLATES: YES, BLACK METAL FINISH



D3 DOOR TYPES D3 LIFT LOBBY LEVEL 2 M  
 SCALE 1:20

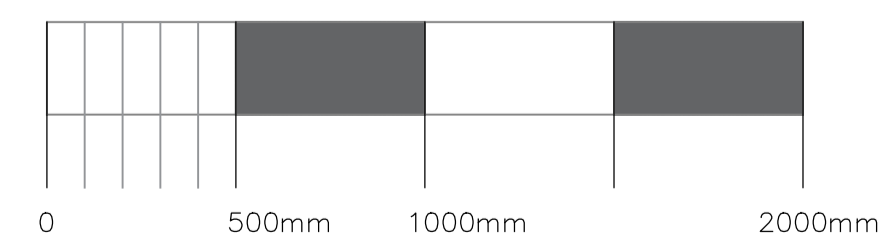


- DOOR TYPE: SOLID CORE TIMBER DOOR, 726mm DOOR LEAF  
 DOOR THICKNESS: 44mm  
 DOOR HEIGHT: 2100mm  
 FINISH: FACTORY SPRAYED, COLOUR TBC (NOT WHITE)  
 KEY LOCK: YES, SNIB LOCK AND INDICATOR  
 VISION PANEL: YES, AS DIMENSIONED ELEVATION  
 DB RATING: 35dB  
 FIRERATING: NO  
 ACOUSTIC SEAL: YES  
 SMOKE SEALS: NO  
 ACCESS CONTROL: NO  
 DOOR CLOSER: YES  
 90° HOLD OPEN: NO  
 SIGNAGE: WC SIGN (UNISEX)  
 IRONMONGERY (DOOR HANDLE) LEVER HANDLE, BLACK POWDER COATED FINISH  
 KICK PLATES: YES, ALLOW 200mm BLACK METAL FINISH  
 PUSH PLATES: NO  
 OTHER REQUIREMENTS: DOOR HEIGHTS TO MATCH EXISTING ARCHITRAVE HEIGHTS AND WIDTHS TO MATCH EXISTING



D4 DOOR TYPES D4  
 SCALE 1:20

NOTE:  
 CONTRACTOR AND CLIENT TO REVIEW CONDITION OF EXISTING DOORS BEING REMOVED TO ASCERTAIN WHETHER THEY MIGHT BE SUITABLE FOR RE-USE FOR DOORS 2M.11 AND 2M.11B



Date	Comments	Rev.	Date	Comments	Rev.
05.06.20	Listed Building Application	L1			

**JACKSON OCONNOR** ARCHITECTURE  
 TROUP BYWATERS + ANDERS  
 183 EVERS HOLT ST, LONDON NW1 1BU  
 PROJECT LOCATION  
 TITLE: DOOR DETAILS  
 DATE: 10/01/20  
 SCALE: 1:20 @ A1  
 DRAWING NO.: DT(32)001  
 REV. L1  
 TEL: 07765 251066  
 EMAIL: jane@jacksonoconnor.com