

Aluminium Specifications:

Aluminium extrusions to grade 6063 or 6082 to BS EN 12020 and BS 755-9 (2001).

All machining and fabrication to be completed prior to any finishing UNO

Aluminium Finishes:

Polyester powder coating:

Polyester powder coating to BS EN 12206-1 (2004).
Minimum film thickness of 40 microns.

Stainless steel.

All stainless steel to BS EN 10088
Externally visible stainless steel to be austenitic grade 316.
Other stainless steel to be austenitic grade 304

Fixings

All fixings to be Stainless Steel Grade A2-70. UNO.

Steel Specifications:

Steel to be minimum grade of S275.
All mild steelwork to BS EN 1993, unless noted otherwise.
Secondary steel to decorative feature items are not CE compliant but manufactured to the above standards as appropriate.

Steel Finishes:

Galvanising:
Steel to be hot dipped galvanised to BS EN 1461.
Galvanising to be free from blisters, nodules, roughness and sharp points.
Minimum coating thickness of 60 microns

Polyester Powder coating:
Polyester powder coating to BS EN 13438.
Minimum film thickness of 40 microns.

Colours:

1. 90 x 50 Surround Panel Frames To Be PPC Finished RAL 7012 Matt.
2. 120 x 20 Fins To be PPC Finished RAL 7000 Matt.
3. All Brackets To Be Galvanised & PPC Finished RAL 7012 Matt.
4. All 125 x 50 x 2mm Thick Aesthetic Bracket Cover Plates To Be PPC Finished RAL 7012 Matt.

C	Raised to Cl.	19/08/2019
B	Colours Added.	09/07/2019
A	FOR APPROVAL	14/12/2018
REV	COMMENT	DATE

COPYRIGHT REMAINS WITH THE COMPANY. REPRODUCTION PROHIBITED.

DRAWING STATUS
FOR CONSTRUCTION

DRAWING TITLE
Item 5 Horizontal Brise Soleil Specification

CLIENT
Willmott Dixon

JOB TITLE
Pears Building

SCALE
NTS @: A3

DATE
14/12/2018

DRAWN BY
PG

CHECKED BY

REV.
C

PROJECT No.
J180108

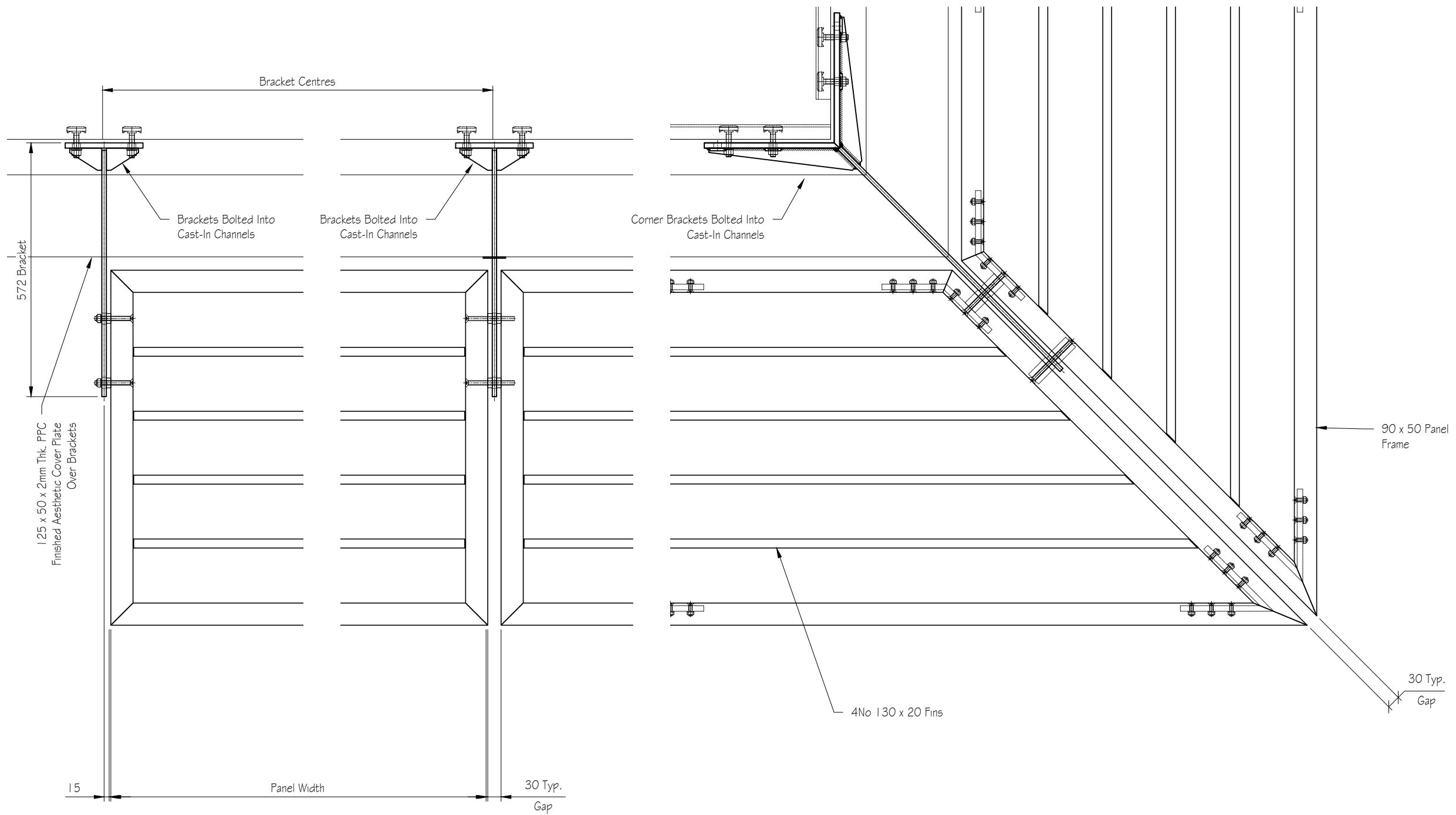
DRG.No.
500

LEVOLUX
DESIGNED TO CONTROL

LEVOLUX LTD.

Forward Drive, Harrow, Middlesex, HA3 8NT, UK
Tel (+44) 020 8863 9111
email: info@levolux.com

24 Eastville Close, Gloucester, GL4 3SJ, UK
Tel (+44) 01452 500007
web: www.levolux.com



End Detail

Intermediate Detail

External Corner Detail

Notes:
1. See drawing 500 for detail specifications.

REV	COMMENT	DATE
C	Raised To Cl.	19/08/2019
B	Frame Details Amended.	09/07/2019
A	FOR APPROVAL	14/12/2018

COPYRIGHT REMAINS WITH THE COMPANY. REPRODUCTION PROHIBITED.

DRAWING STATUS	FOR CONSTRUCTION
CLIENT	Willmott Dixon

DRAWING TITLE	Item 5 Horizontal Brise Soleil Typical Plan Details
JOB TITLE	Pears Building

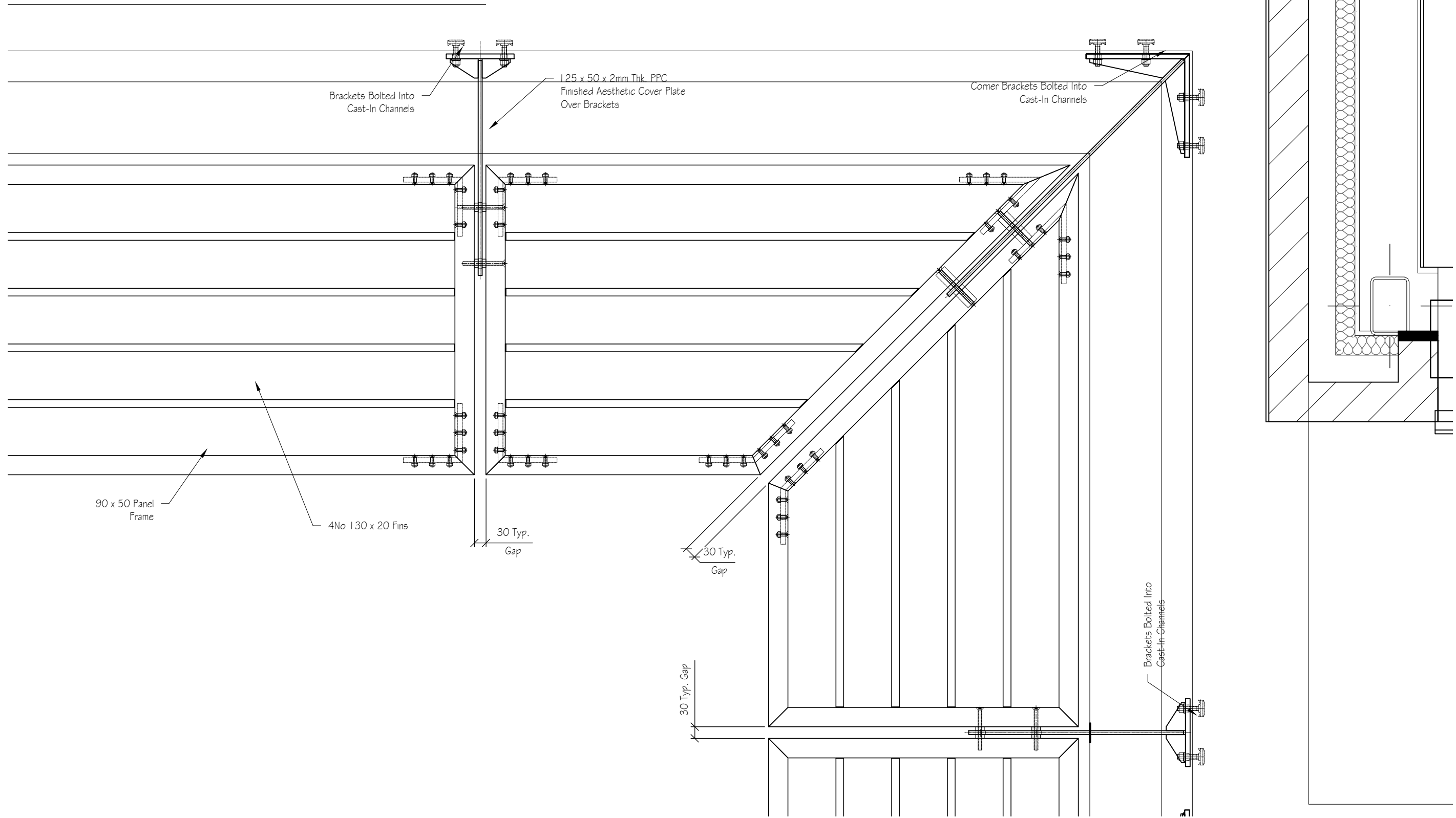
SCALE	1:10 @: A3
DRAWN BY	PG
PROJECT No.	J180108

DATE	14/12/2018
CHECKED BY	
REV.	C
DRG.No.	502

LEVOLUX
DESIGNED TO CONTROL

LEVOLUX LTD.
Forward Drive, Harrow, Middlesex, HA3 8NT, UK
Tel (+44) 020 8863 9111
email: info@levolux.com

24 Eastville Close, Gloucester, GL4 3SJ, UK
Tel (+44) 01452 500007
web: www.levolux.com



⊖ Internal Corner Detail

Notes:
1. See drawing 500 for detail specifications.

REV	COMMENT	DATE
B	Frame Details Amended.	09/07/2019
A	FOR APPROVAL	14/12/2018

COPYRIGHT REMAINS WITH THE COMPANY. REPRODUCTION PROHIBITED.

DRAWING STATUS	FOR CONSTRUCTION
CLIENT	Willmott Dixon

DRAWING TITLE	Item 5 Horizontal Brise Soleil Typical Plan Details
JOB TITLE	Pears Building

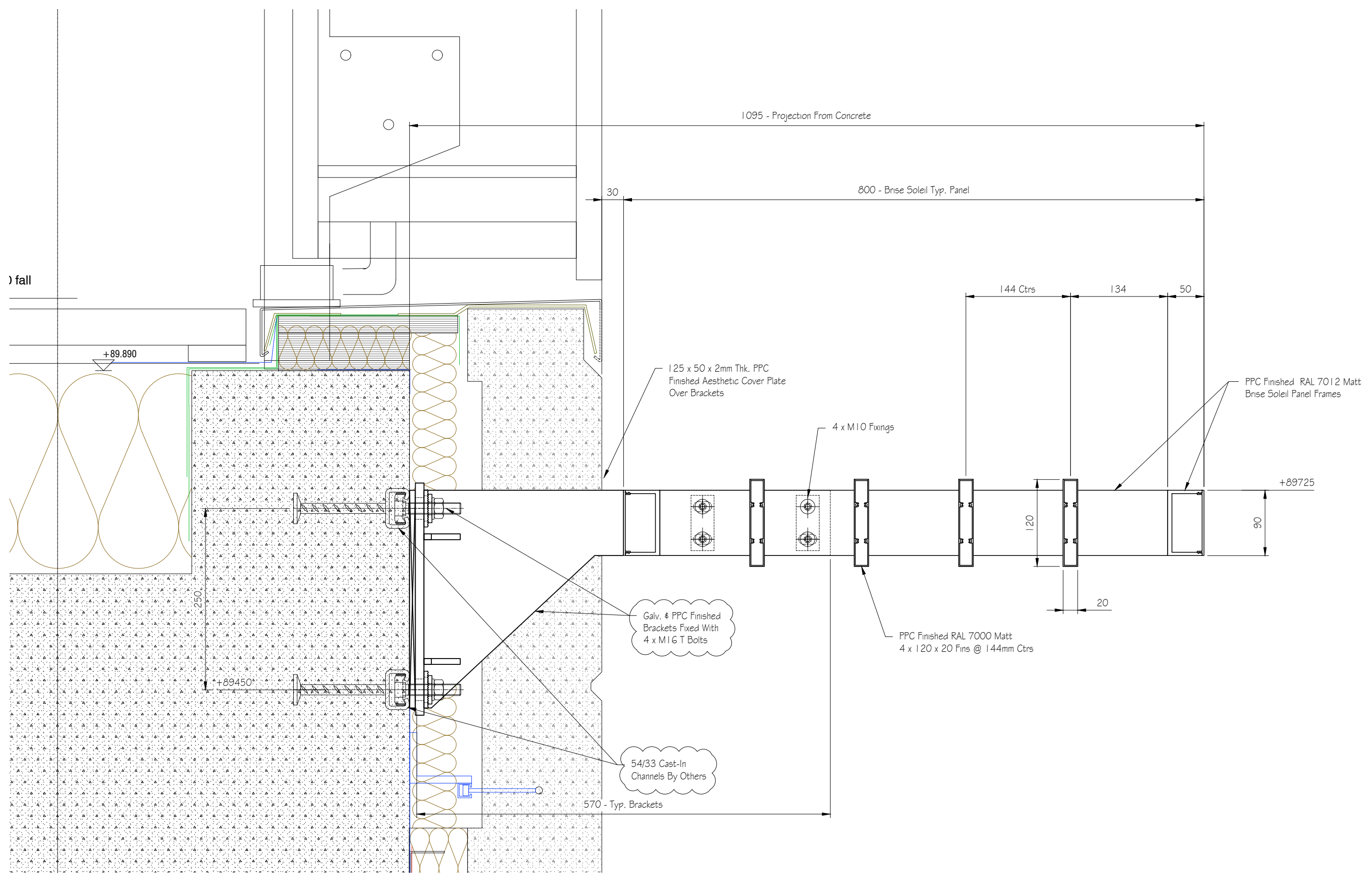
SCALE	1:10 @: A3
DRAWN BY	PG
PROJECT No.	J180108

DATE	14/12/2018
CHECKED BY	B
DRG.No.	503

LEVOLUX
DESIGNED TO CONTROL

LEVOLUX LTD.
 Forward Drive, Harrow, Middlesex, HA3 8NT, UK
 Tel (+44) 020 8863 9111
 email: info@levolux.com

24 Eastville Close, Gloucester, GL4 3SJ, UK
 Tel (+44) 01452 500007
 web: www.levolux.com



REV	COMMENT	DATE
C	Channels & Bolts Amended & Raised to Cl.	19/08/2019
B	Frame & Fin Profiles Amended.	09/07/2019
A	FOR APPROVAL	14/12/2018

1. See drawing 500 for detail specifications.

COPYRIGHT REMAINS WITH THE COMPANY. REPRODUCTION PROHIBITED.

DRAWING STATUS	FOR CONSTRUCTION
CLIENT	Willmott Dixon

DRAWING TITLE	Item 5 Horizontal Brise Soleil Typical Section A - A
JOB TITLE	Pears Building

SCALE	1:5 @: A3
DRAWN BY	PG
PROJECT No.	J180108

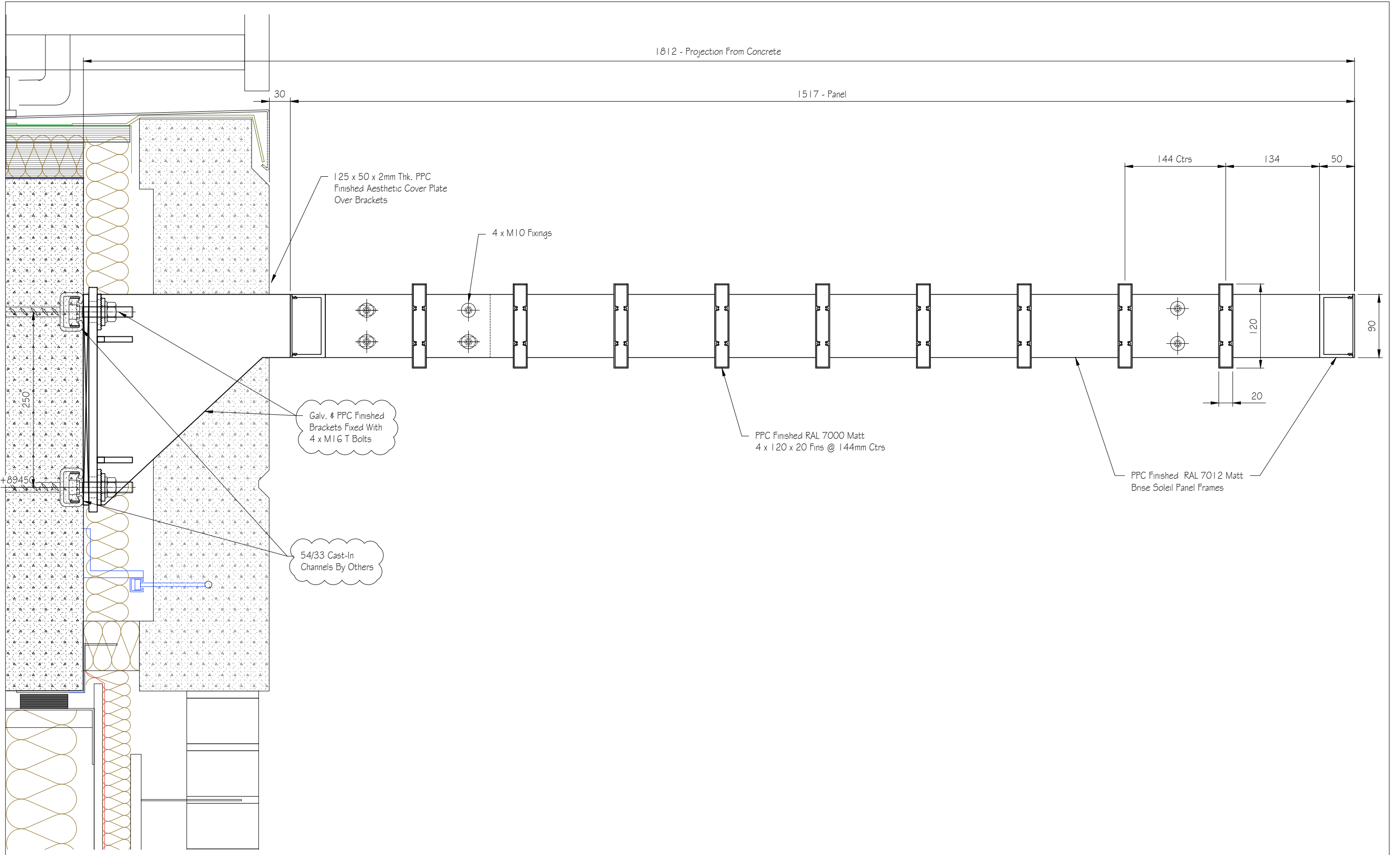
DATE	14/12/2018
CHECKED BY	
REV.	C
DRG.No.	504

LEVOLUX
DESIGNED TO CONTROL

LEVOLUX LTD.

Forward Drive, Harrow, Middlesex, HA3 8NT, UK
Tel (+44) 020 8863 9111
email: info@levolux.com

24 Eastville Close, Gloucester, GL4 3SJ, UK
Tel (+44) 01452 500007
web: www.levolux.com



REV	COMMENT	DATE
C	Channels & Bolts Amended & Raised to Cl.	19/08/2019
B	Frame Details Amended.	09/07/2019
A	FOR APPROVAL	14/12/2018

DRAWING STATUS	FOR CONSTRUCTION
CLIENT	Willmott Dixon

DRAWING TITLE	Item 5 Horizontal Brise Soleil Section B - B
JOB TITLE	Pears Building

SCALE	1:5 @: A3
DRAWN BY	PG
PROJECT No.	J180108

DATE	14/12/2018
CHECKED BY	
REV.	C
DRG.No.	505

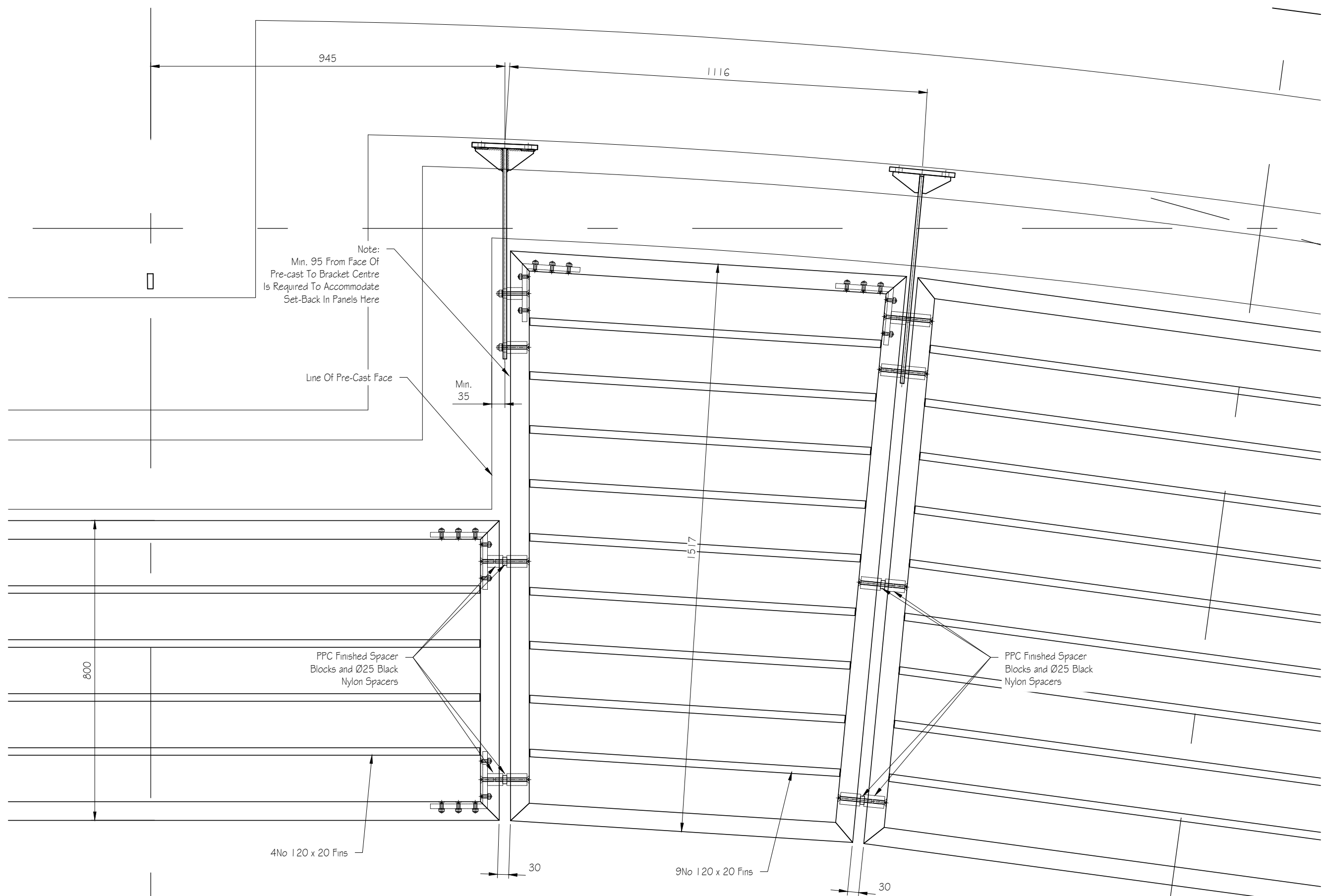
Notes:
1. See drawing 500 for detail specifications.

COPYRIGHT REMAINS WITH THE COMPANY. REPRODUCTION PROHIBITED.

LEVOLUX
DESIGNED TO CONTROL

LEVOLUX LTD.
Forward Drive, Harrow, Middlesex, HA3 8NT, UK
Tel (+44) 020 8863 9111
email: info@levolux.com

24 Eastville Close, Gloucester, GL4 3SJ, UK
Tel (+44) 01452 500007
web: www.levolux.com



REV	COMMENT	DATE
F	Raise to Cl.	24/01/2020
E	Arch's Comment Added & Re-Issued for Approval.	19/09/2019
D	Raised to Cl.	19/08/2019
C	Trellis Frame Omitted & Set-Back Panel Details Added	09/07/2019
B	Projection Reduced Per Arch's Comments.	07/02/2019
A	FOR APPROVAL	14/12/2018

COPYRIGHT REMAINS WITH THE COMPANY. REPRODUCTION PROHIBITED.

DRAWING STATUS
FOR CONSTRUCTION

CLIENT
Willmott Dixon

DRAWING TITLE
Item 5 Horizontal Brise Soleil
1517 Projection Part Layout Plan Details

JOB TITLE
Pears Building

SCALE
1:10 @: A3

DRAWN BY
PG

PROJECT No.
J180108

DATE
14/12/2018

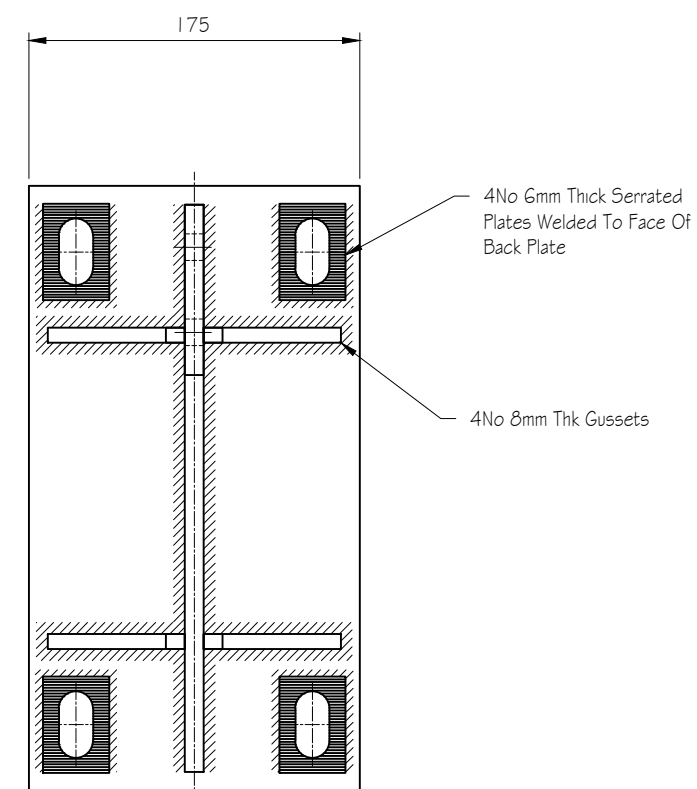
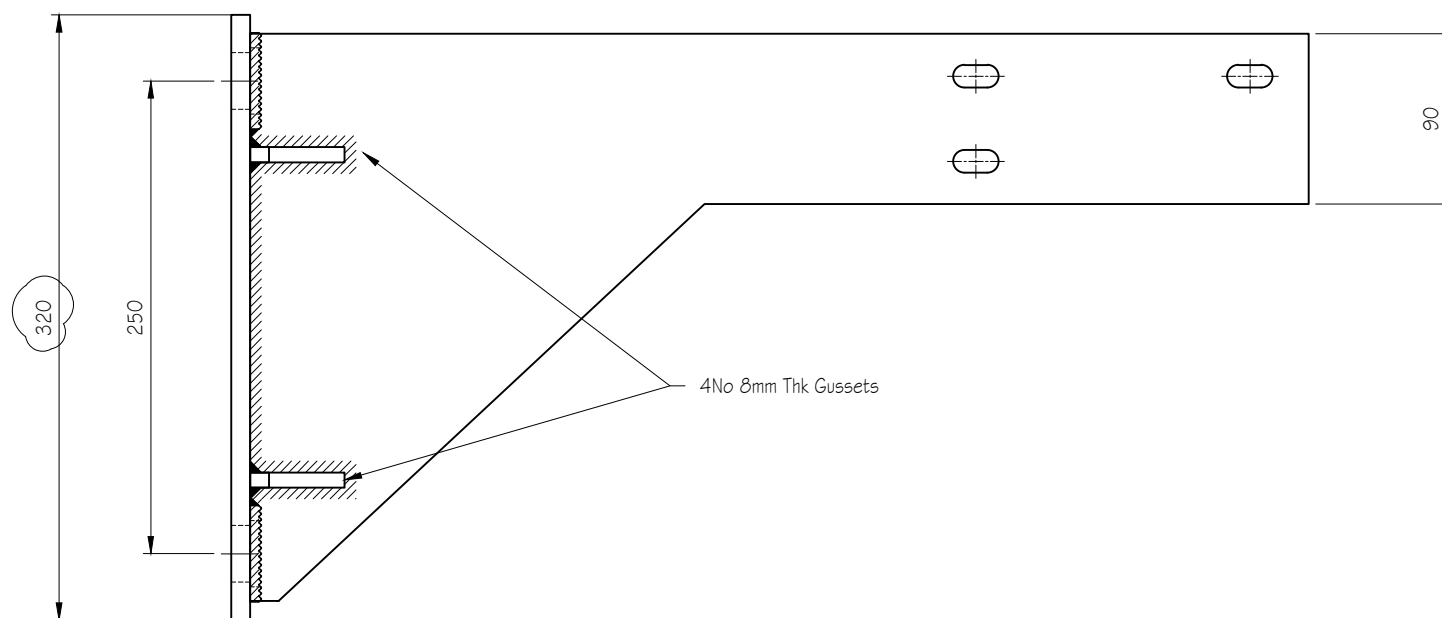
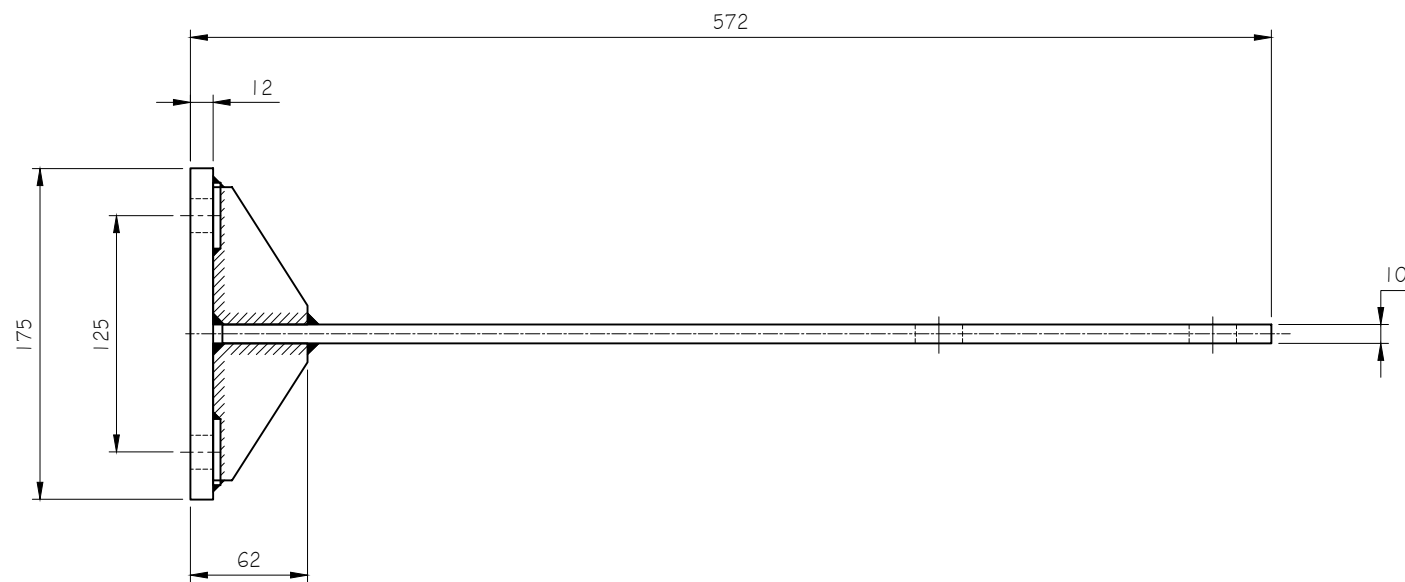
CHECKED BY
REV. F

DRG.No.
506

LEVOLUX
DESIGNED TO CONTROL

LEVOLUX LTD.
24 Eastville Close,
Gloucester, GL4 3SJ, UK
Tel (+44) 01452 500007
email: info@levolux.com

Forward Drive, Harrow,
Middlesex, HA3 8NT, UK
Tel (+44) 020 8863 9111
email: info@levolux.com



Notes:
1. See drawing 500 for detail specifications.

REV	COMMENT	DATE
C	Raised to Cl.	19/08/2019
B	Bracket Dims Amended.	09/07/2019
A	FOR APPROVAL	14/12/2018

COPYRIGHT REMAINS WITH THE COMPANY. REPRODUCTION PROHIBITED.

DRAWING STATUS
FOR CONSTRUCTION

CLIENT
Willmott Dixon

DRAWING TITLE
Item 5 Horizontal Brise Soleil
Typical Bracket Details

JOB TITLE
Pears Building

SCALE
1:4 @: A3

DRAWN BY
PG

PROJECT No.
J180108

DATE
14/12/2018

CHECKED BY
C

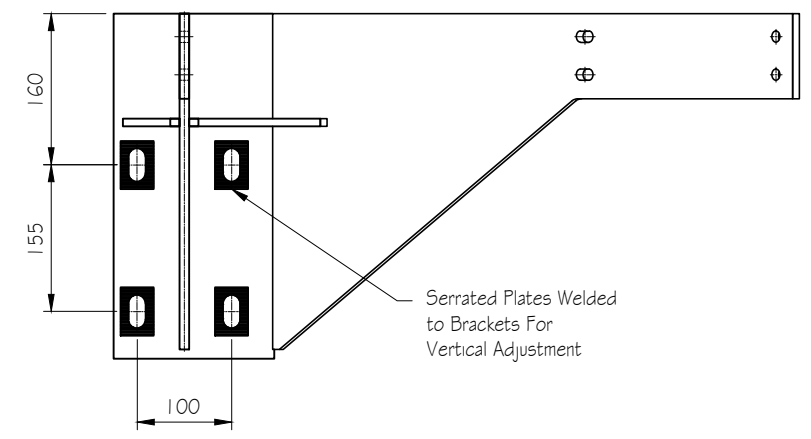
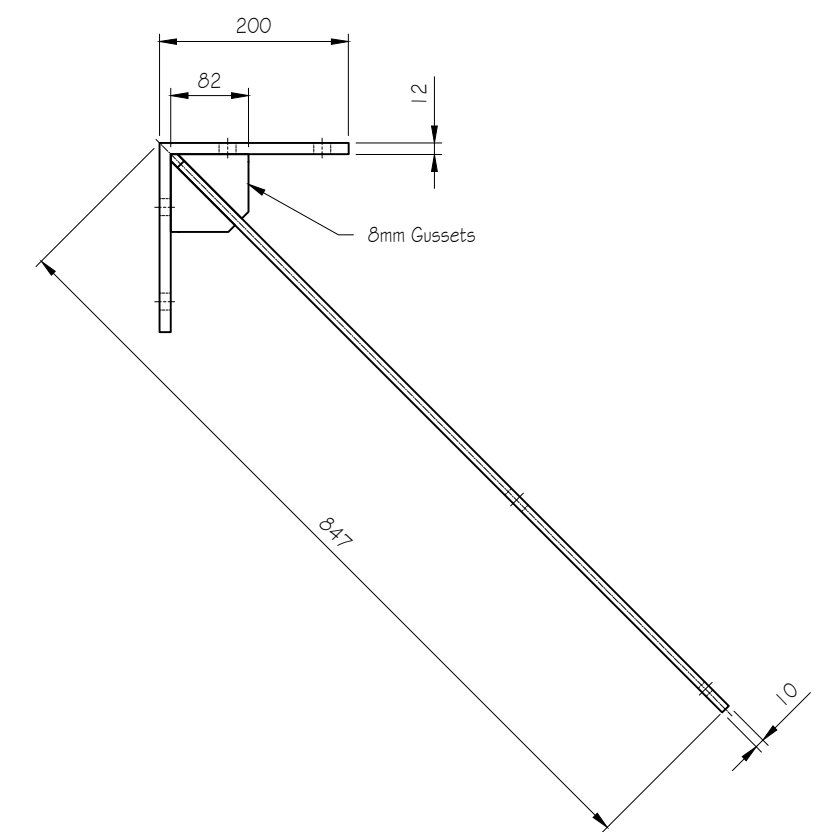
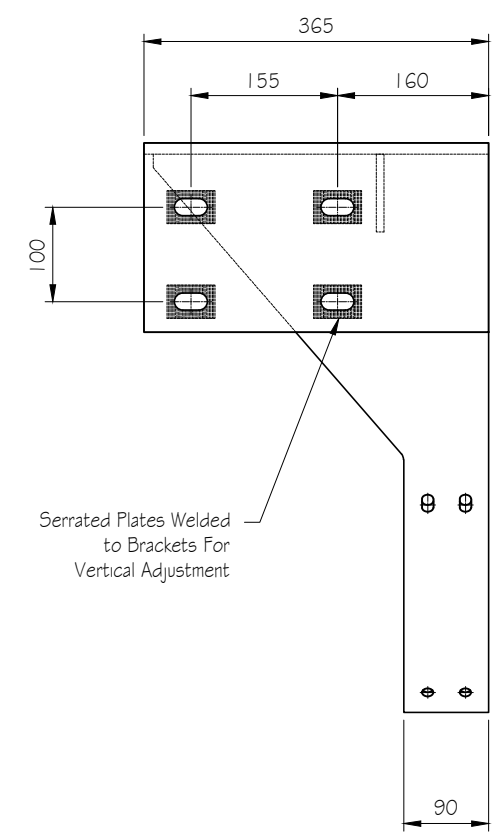
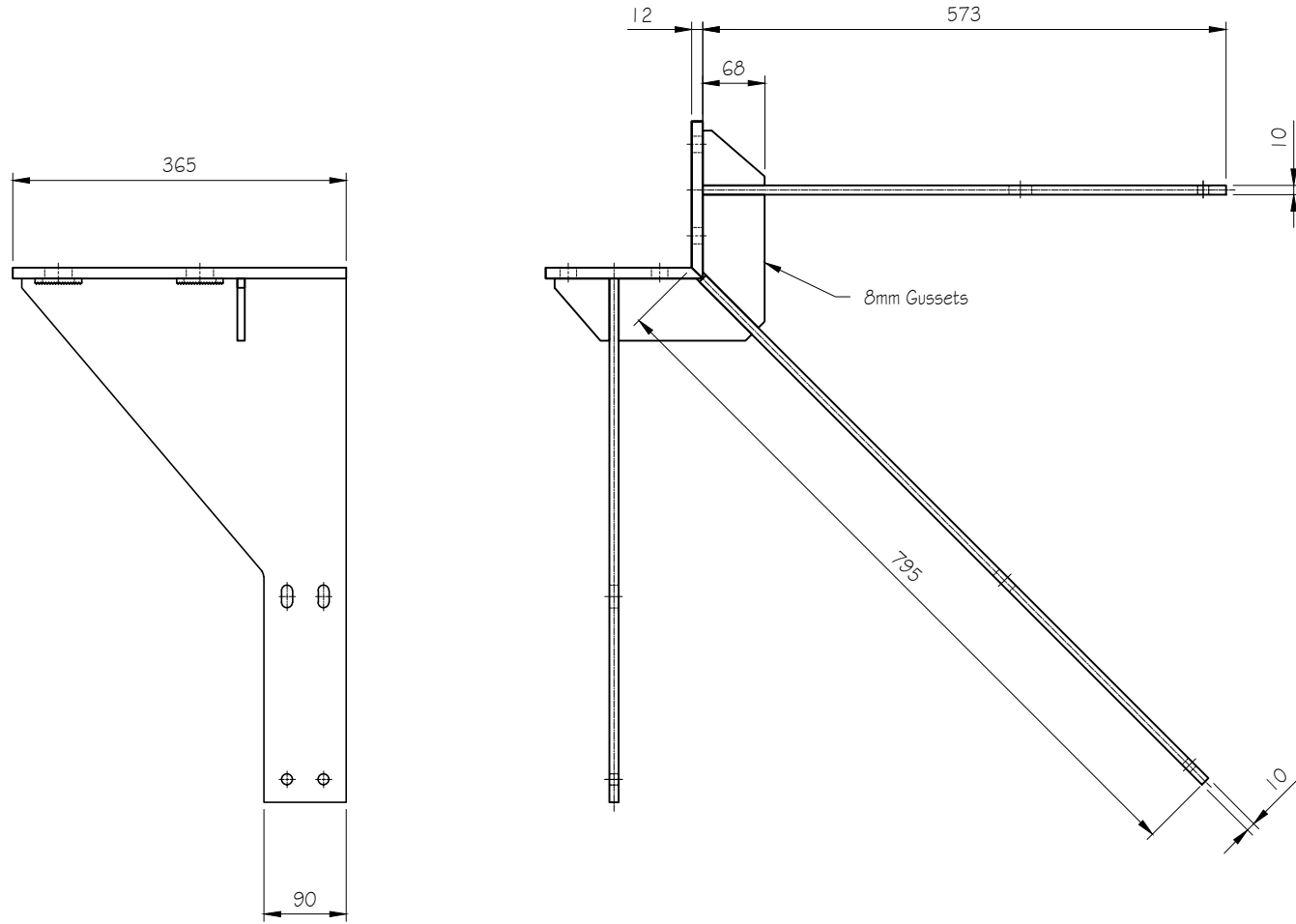
DRG.No.
507

LEVOLUX
DESIGNED TO CONTROL

LEVOLUX LTD.

Forward Drive, Harrow, Middlesex, HA3 8NT, UK
Tel (+44) 020 8863 9111
email: info@levolux.com

24 Eastville Close, Gloucester, GL4 3SJ, UK
Tel (+44) 01452 500007
web: www.levolux.com



External Corner Bracket

Internal Corner Bracket

Notes:
1. See drawing 500 for detail specifications.

REV	COMMENT	DATE
A	FOR APPROVAL	14/12/2018
COPYRIGHT REMAINS WITH THE COMPANY. REPRODUCTION PROHIBITED.		

DRAWING STATUS	FOR APPROVAL
CLIENT	Willmott Dixon

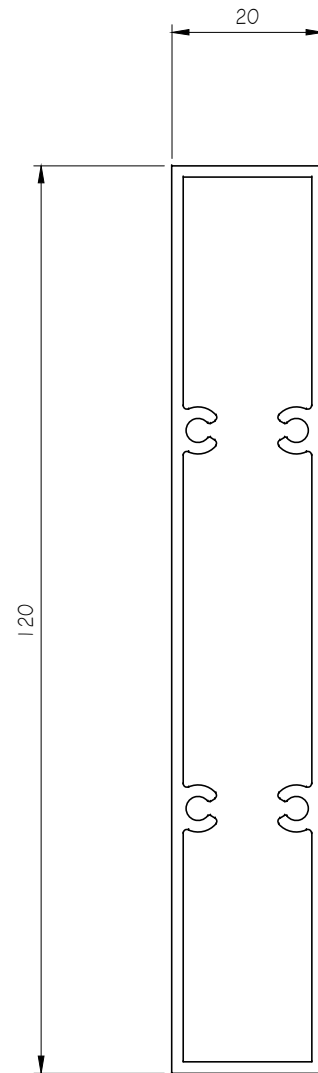
DRAWING TITLE	Item 5 Horizontal Brise Soleil Corner Bracket Details
JOB TITLE	Pears Building

SCALE	1:8 @: A3
DRAWN BY	PG
PROJECT No.	J180108

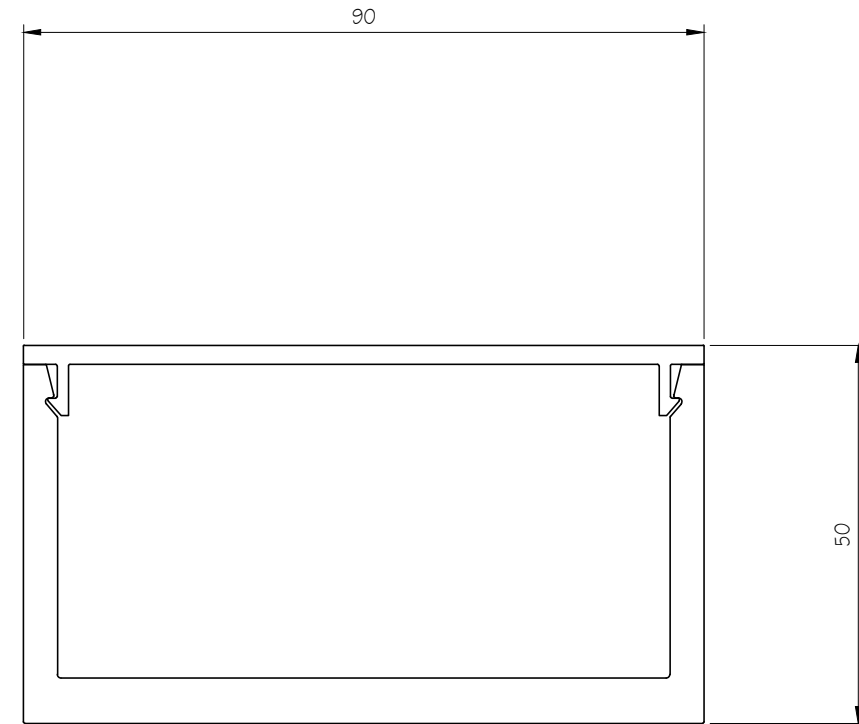
DATE	14/12/2018
CHECKED BY	REV. A
DRG.No.	508

LEVOLUX
DESIGNED TO CONTROL

LEVOLUX LTD.
24 Eastville Close,
Gloucester, GL4 3SJ, UK
Tel (+44) 020 8863 9111
email: info@levolux.com



○ Fin Profile



○ Frame Profile

Notes:
1. See drawing 500 for detail specifications.

REV	COMMENT	DATE
D	Raised to Cl.	19/08/2019
C	Profile Details Amended.	09/07/2019
B	Fin Dimension Altered.	07/02/2019
A	FOR APPROVAL	14/12/2018

COPYRIGHT REMAINS WITH THE COMPANY. REPRODUCTION PROHIBITED.

DRAWING STATUS	FOR CONSTRUCTION
CLIENT	Willmott Dixon

DRAWING TITLE	Item 5 Horizontal Brise Soleil Fin & Nosing Profile Details
JOB TITLE	Pears Building

SCALE	1:1 @: A3
DRAWN BY	PG
PROJECT No.	J180108

DATE	14/12/2018
CHECKED BY	
REV.	D
DRG.No.	509

LEVOLUX
DESIGNED TO CONTROL

LEVOLUX LTD.
Forward Drive, Harrow, Middlesex, HA3 8NT, UK
Tel (+44) 020 8863 9111
email: info@levolux.com

24 Eastville Close, Gloucester, GL4 3SJ, UK
Tel (+44) 01452 500007
web: www.levolux.com