

Aluminium Specifications:

Aluminium extrusions to grade 6063 or 6082 to BS EN 12020 and BS 755-9 (2001).  
All machining and fabrication to be completed prior to any finishing UNO

Aluminium Finishes:

Polyester powder coating:

Polyester powder coating to BS EN 12206-1 (2004).  
Minimum film thickness of 40 microns.

Fixings

All fixings to be Stainless Steel Grade A2-70. UNO.

Colours:

1. 90 x 50 Surround Panel Frames To Be PPC Finished RAL 7012 Matt.
2. 120 x 20 Fins To be PPC Finished RAL 7000 Matt.

B	Colours added.	13/11/2019
A	FOR APPROVAL	31/01/2019
REV	COMMENT	DATE
COPYRIGHT REMAINS WITH THE COMPANY. REPRODUCTION PROHIBITED.		

DRAWING STATUS  
**FOR APPROVAL**

DRAWING TITLE  
Item 4 - Levels 5 & 6 Screens Specification

CLIENT  
Willmott Dixon

JOB TITLE  
Pears Building

SCALE  
NTS @: A3

DATE  
24/01/2019

DRAWN BY  
PG

CHECKED BY  
REV. B

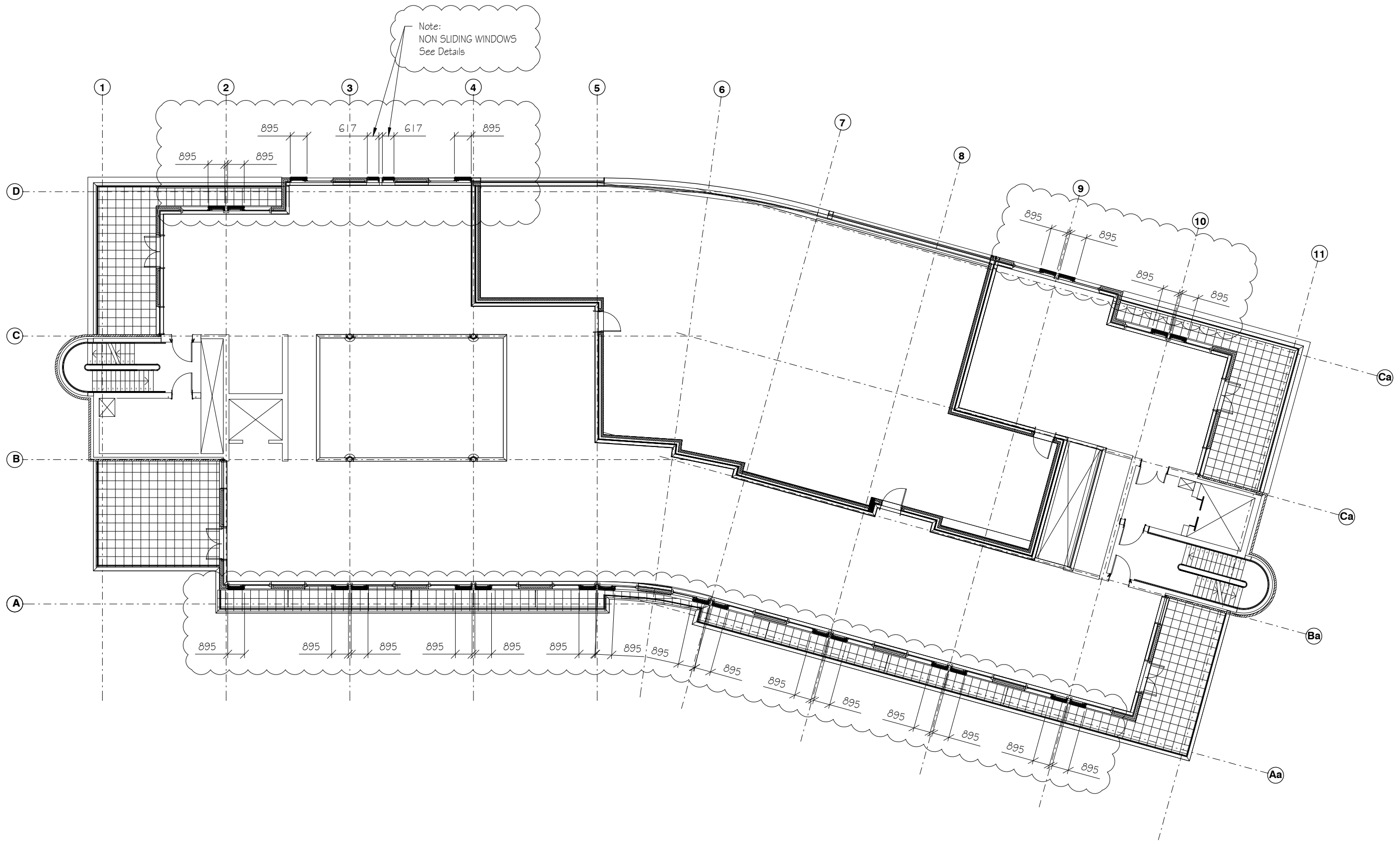
PROJECT No.  
J180108

DRG.No.  
400

**LEVOLUX**  
DESIGNED TO CONTROL

LEVOLUX LTD.

Forward Drive, Harrow, Middlesex, HA3 8NT, UK Tel (+44) 020 8863 9111 email:info@levolux.com	24 Eastville Close, Gloucester, GL4 3SJ, UK Tel (+44) 01452 500007 web:www.levolux.com
---	---



Note:  
NON SLIDING WINDOWS  
See Details

Notes:  
1. See drawing 400 for detail specifications.

REV	COMMENT	DATE
B	Frame Sizes Amended.	13/11/2019
A	FOR APPROVAL	31/01/2019
COPYRIGHT REMAINS WITH THE COMPANY. REPRODUCTION PROHIBITED.		

DRAWING STATUS
FOR APPROVAL
CLIENT
Willmott Dixon

DRAWING TITLE
Item 4 - Levels 5 & 6 Screens Layout Plan Level 5
JOB TITLE
Pears Building

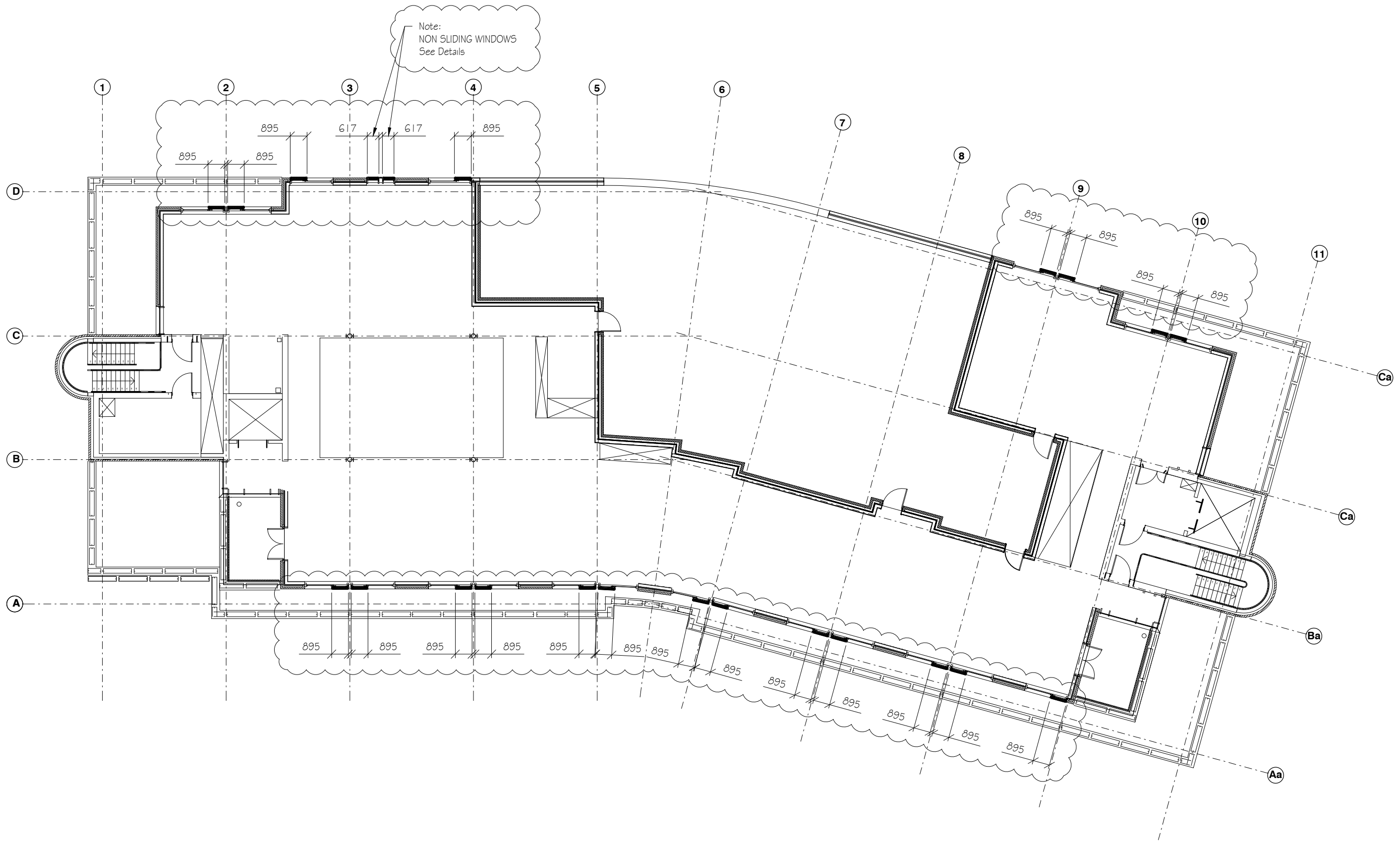
SCALE
1:200 @: A3
DRAWN BY
PG
PROJECT No.
J180108

DATE
24/01/2019
CHECKED BY
B
DRG.No.
401

**LEVOLUX**  
DESIGNED TO CONTROL

LEVOLUX LTD.  
24 Eastville Close,  
Gloucester, GL4 3SJ, UK  
Tel (+44) 020 8863 9111  
email: info@levolux.com

24 Eastville Close,  
Gloucester, GL4 3SJ, UK  
Tel (+44) 01452 500007  
web: www.levolux.com



Notes:  
1. See drawing 400 for detail specifications.

REV	COMMENT	DATE
B	Frame Sizes Amended.	13/11/2019
A	FOR APPROVAL	31/01/2019
COPYRIGHT REMAINS WITH THE COMPANY. REPRODUCTION PROHIBITED.		

DRAWING STATUS
<b>FOR APPROVAL</b>
CLIENT
Willmott Dixon

DRAWING TITLE
Item 4 - Levels 5 & 6 Screens Layout Plan Level 6
JOB TITLE
Pears Building

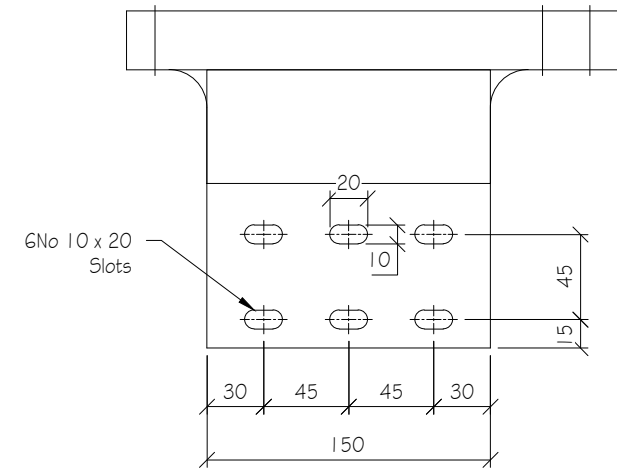
SCALE
1:200 @: A3
DRAWN BY
PG
PROJECT No.
J180108

DATE
24/01/2019
CHECKED BY
B
REV.
402

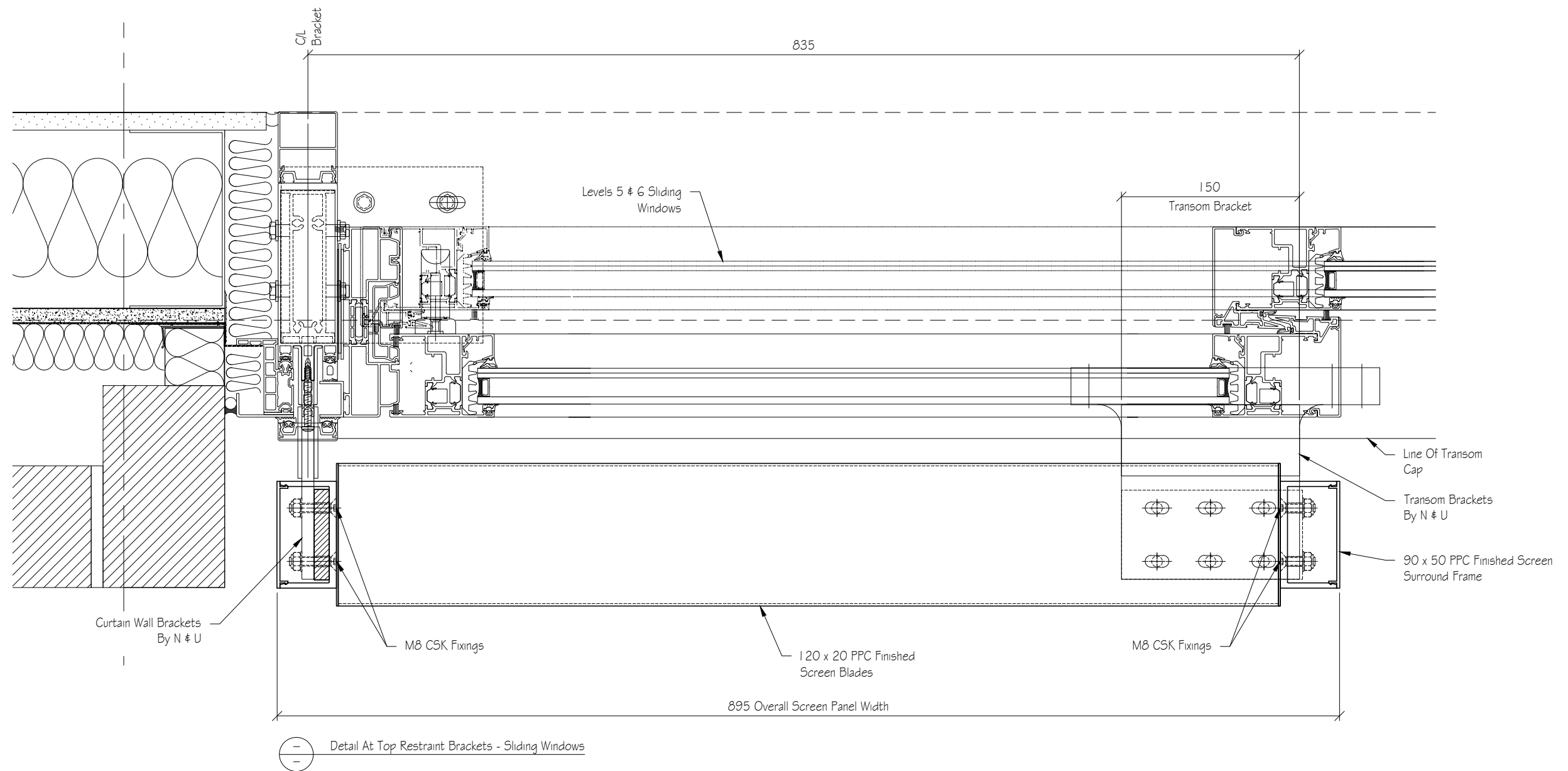
**LEVOLUX**  
DESIGNED TO CONTROL

LEVOLUX LTD.  
24 Eastville Close,  
Gloucester, GL4 3SJ, UK  
Tel (+44) 020 8863 9111  
email: info@levolux.com

24 Eastville Close,  
Gloucester, GL4 3SJ, UK  
Tel (+44) 01452 500007  
web: www.levolux.com



Detail Of Transom Brackets  
By N & U



Notes:  
1. See drawing 400 for detail specifications.

REV	COMMENT	DATE
B	Frame Details Amended.	13/11/2019
A	FOR APPROVAL	31/01/2019

COPYRIGHT REMAINS WITH THE COMPANY. REPRODUCTION PROHIBITED.

DRAWING STATUS	FOR APPROVAL
CLIENT	Willmott Dixon

DRAWING TITLE	Item 4 - Levels 5 & 6 Screens Typical Plan Detail
JOB TITLE	Pears Building

SCALE	1:4 @: A3
DRAWN BY	PG
PROJECT No.	J180108

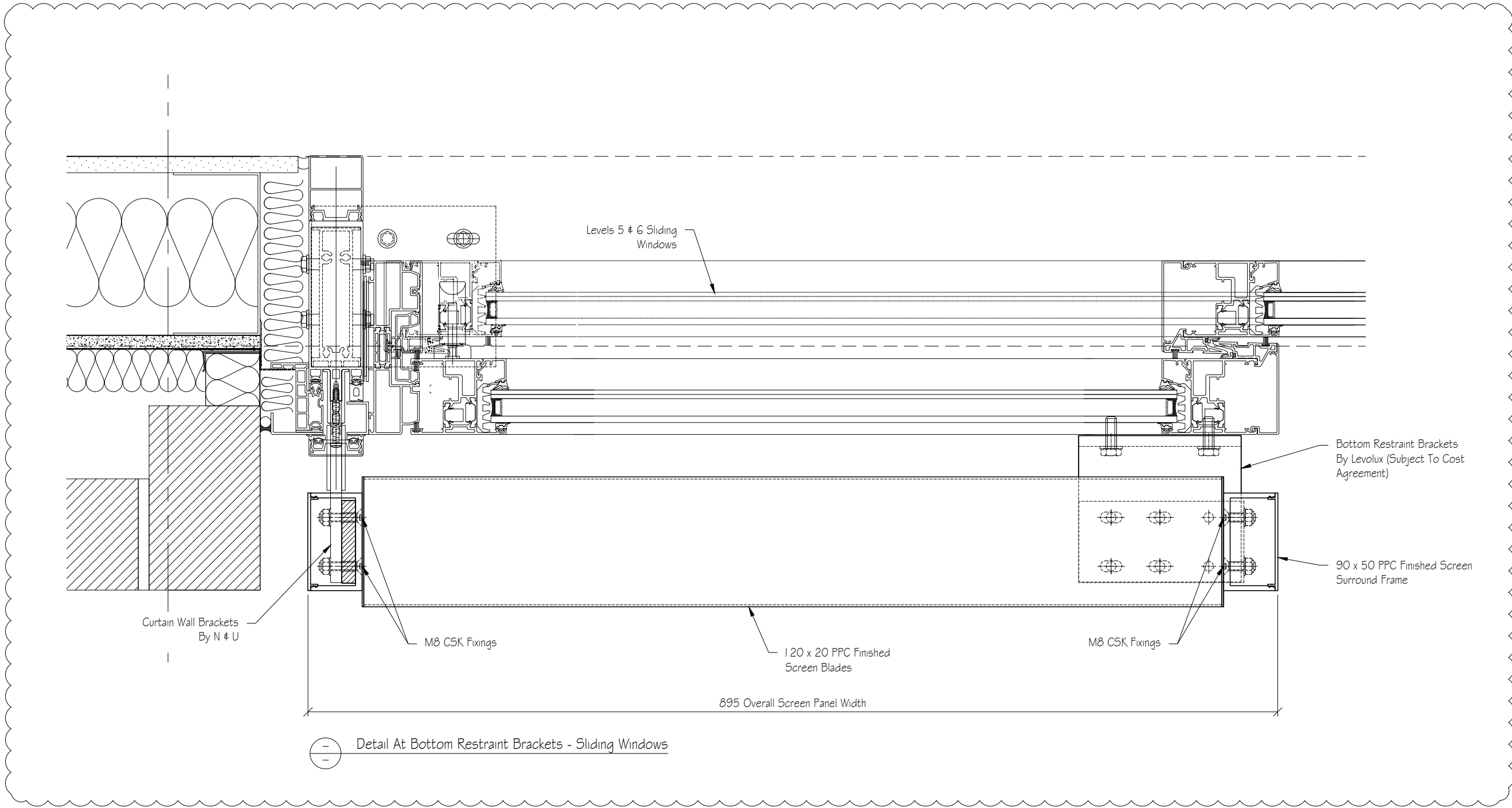
DATE	24/01/2019
CHECKED BY	B
DRG.No.	410

**LEVOLUX**  
DESIGNED TO CONTROL

LEVOLUX LTD.

Forward Drive, Harrow, Middlesex, HA3 8NT, UK  
Tel (+44) 020 8863 9111  
email: info@levolux.com

24 Eastville Close, Gloucester, GL4 3SJ, UK  
Tel (+44) 01452 500007  
web: www.levolux.com



Notes:  
 1. See drawing 400 for detail specifications.

B	Frame Details Amended.	13/11/2019
A	FOR APPROVAL	31/01/2019
REV	COMMENT	DATE
COPYRIGHT REMAINS WITH THE COMPANY. REPRODUCTION PROHIBITED.		

DRAWING STATUS	FOR APPROVAL
CLIENT	Willmott Dixon

DRAWING TITLE	Item 4 - Levels 5 & 6 Screens Typical Plan Detail
JOB TITLE	Pears Building

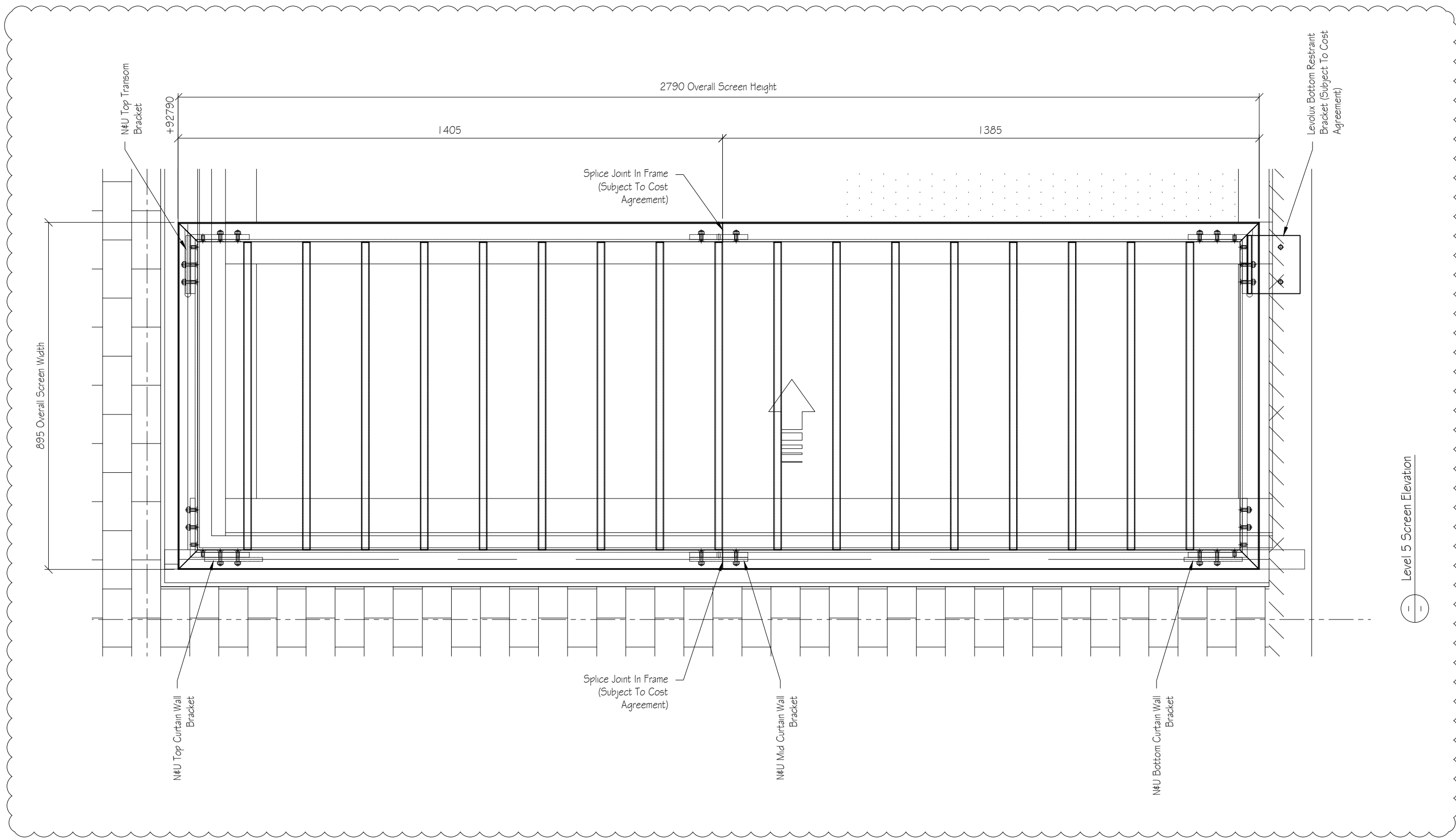
SCALE	1:4 @: A3
DRAWN BY	PG
PROJECT No.	J180108

DATE	24/01/2019
CHECKED BY	B
DRG.No.	411

**LEVOLUX**  
 DESIGNED TO CONTROL

LEVOLUX LTD.  
 Forward Drive, Harrow, Middlesex, HA3 8NT, UK  
 Tel (+44) 020 8863 9111  
 email: info@levolux.com

24 Eastville Close, Gloucester, GL4 3SJ, UK  
 Tel (+44) 01452 500007  
 web: www.levolux.com



Notes:  
 1. See drawing 400 for detail specifications.

REV	COMMENT	DATE
B	Frame Details Amended.	13/11/2019
A	FOR APPROVAL	12/11/2019
COPYRIGHT REMAINS WITH THE COMPANY. REPRODUCTION PROHIBITED.		

DRAWING STATUS
<b>FOR APPROVAL</b>
CLIENT
Willmott Dixon

DRAWING TITLE
Item 4 - Levels 5 & 6 Screens Typical Panel Elevation Detail - Level 5
JOB TITLE
Pears Building

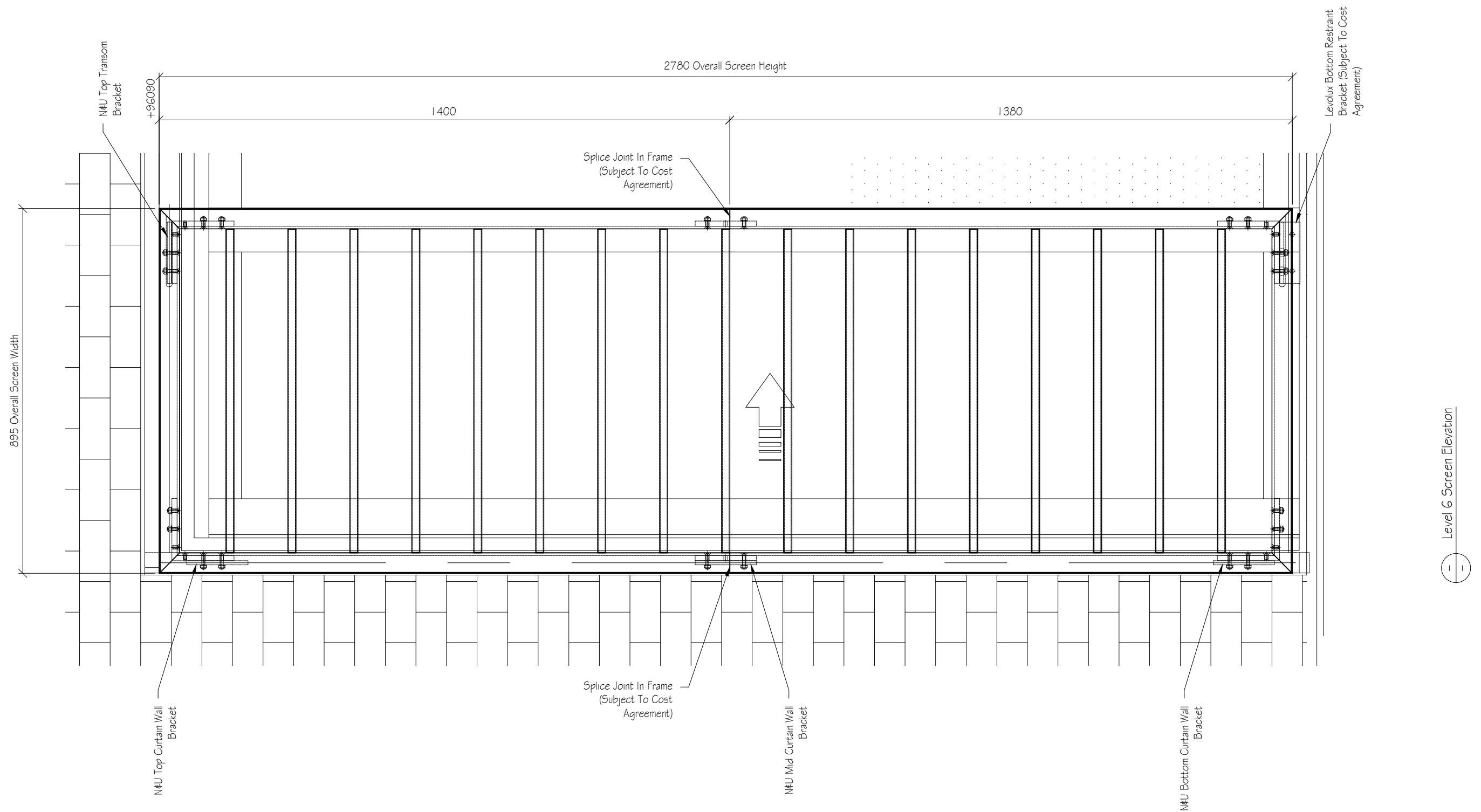
SCALE
1:10 @: A3
DRAWN BY
PG
PROJECT No.
J180108

DATE
12/11/2019
CHECKED BY
REV.
B
DRG.No.
412

**LEVOLUX**  
 DESIGNED TO CONTROL

LEVOLUX LTD.

Forward Drive, Harrow, Middlesex, HA3 8NT, UK Tel (+44) 020 8863 9111 email: info@levolux.com	24 Eastville Close, Gloucester, GL4 3SJ, UK Tel (+44) 01452 500007 web: www.levolux.com
--	--



Notes:  
1. See drawing 400 for detail specifications.

A	FOR APPROVAL	13/11/2019
REV	COMMENT	DATE
COPYRIGHT REMAINS WITH THE COMPANY. REPRODUCTION PROHIBITED.		

DRAWING STATUS
<b>FOR APPROVAL</b>
CLIENT
Willmott Dixon

DRAWING TITLE
Item 4 - Levels 5 & 6 Screens Typical Panel Elevation Detail - Level 6
JOB TITLE
Pears Building

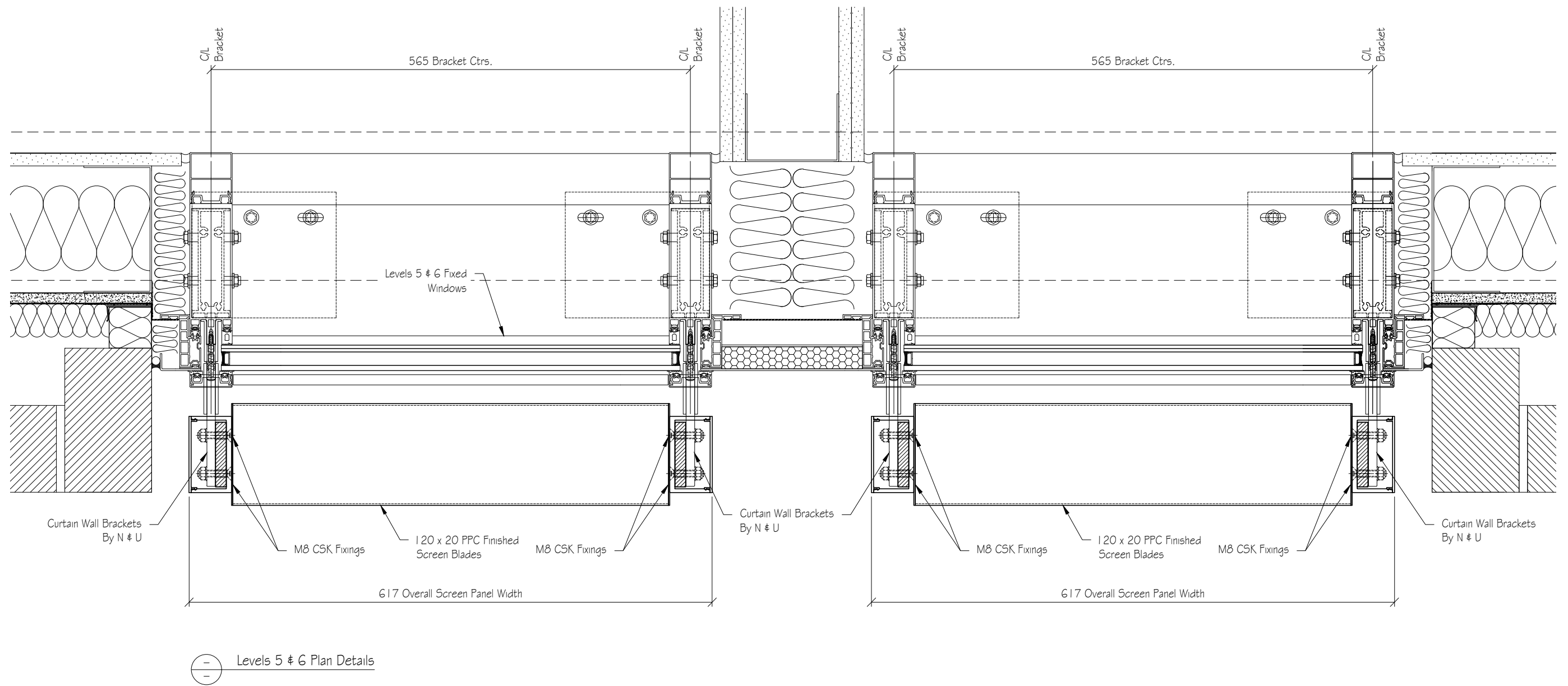
SCALE
1:10 @: A3
DRAWN BY
PG
PROJECT No.
J180108

DATE
13/11/2019
CHECKED BY
REV.
A
DRG.No.
413

**LEVOLUX**  
DESIGNED TO CONTROL

LEVOLUX LTD.

Forward Drive, Harrow, Middlesex, HA3 8NT, UK Tel (+44) 020 8863 9111 email: info@levolux.com	24 Eastville Close, Gloucester, GL4 3SJ, UK Tel (+44) 01452 500007 web: www.levolux.com
--	--



Notes:  
1. See drawing 400 for detail specifications.

A	FOR APPROVAL	13/11/2019
REV	COMMENT	DATE
COPYRIGHT REMAINS WITH THE COMPANY. REPRODUCTION PROHIBITED.		

DRAWING STATUS
<b>FOR APPROVAL</b>
CLIENT
Willmott Dixon

DRAWING TITLE
Item 4 - Levels 5 & 6 Screens Typical Plan Details Fixed Windows
JOB TITLE
Pears Building

SCALE
1:5 @: A3
DRAWN BY
PG
PROJECT No.
J180108

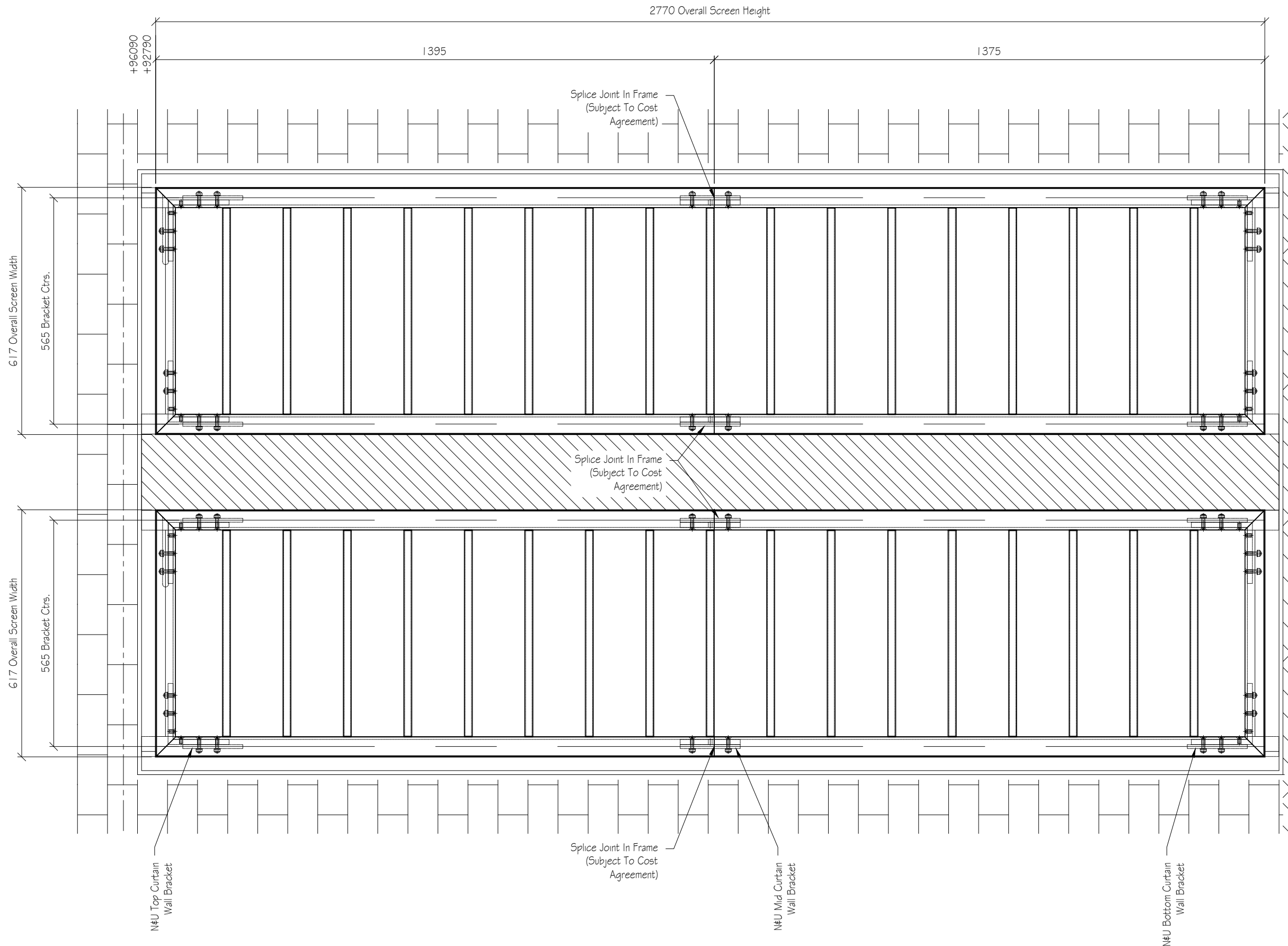
DATE
13/11/2019
CHECKED BY
REV.
A
DRG.No.
414

**LEVOLUX**  
DESIGNED TO CONTROL

LEVOLUX LTD.

Forward Drive, Harrow, Middlesex, HA3 8NT, UK Tel (+44) 020 8863 9111 email: info@levolux.com	24 Eastville Close, Gloucester, GL4 3SJ, UK Tel (+44) 01452 500007 web: www.levolux.com
--	--





Levels 5 & 6 Elevation Details

Notes:  
1. See drawing 400 for detail specifications.

A	FOR APPROVAL	13/11/2019
REV	COMMENT	DATE
COPYRIGHT REMAINS WITH THE COMPANY. REPRODUCTION PROHIBITED.		

DRAWING STATUS
<b>FOR APPROVAL</b>
CLIENT
Willmott Dixon

DRAWING TITLE
Item 4 - Levels 5 & 6 Screens Typical Elevation Details Fixed Windows
JOB TITLE
Pears Building

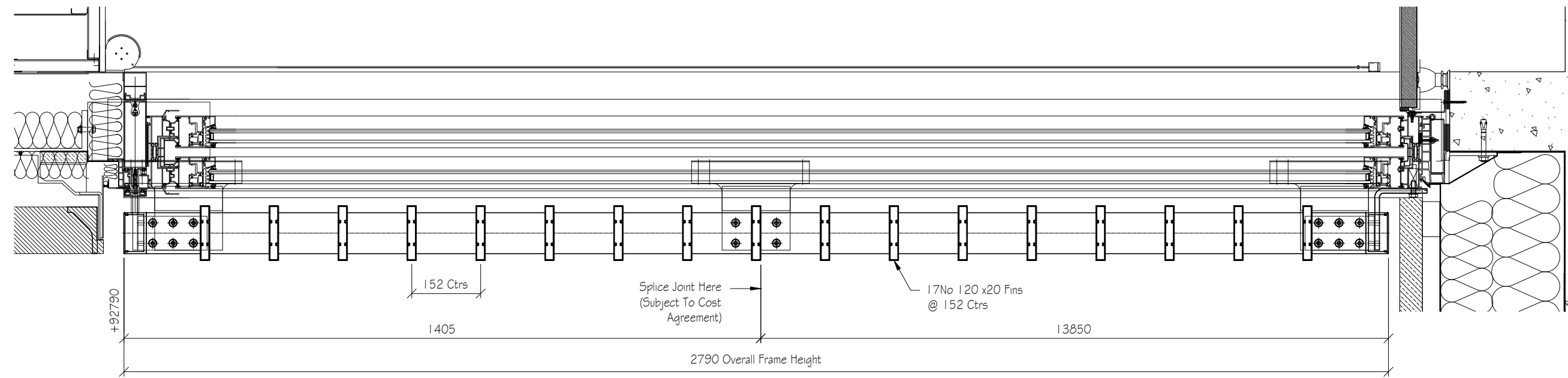
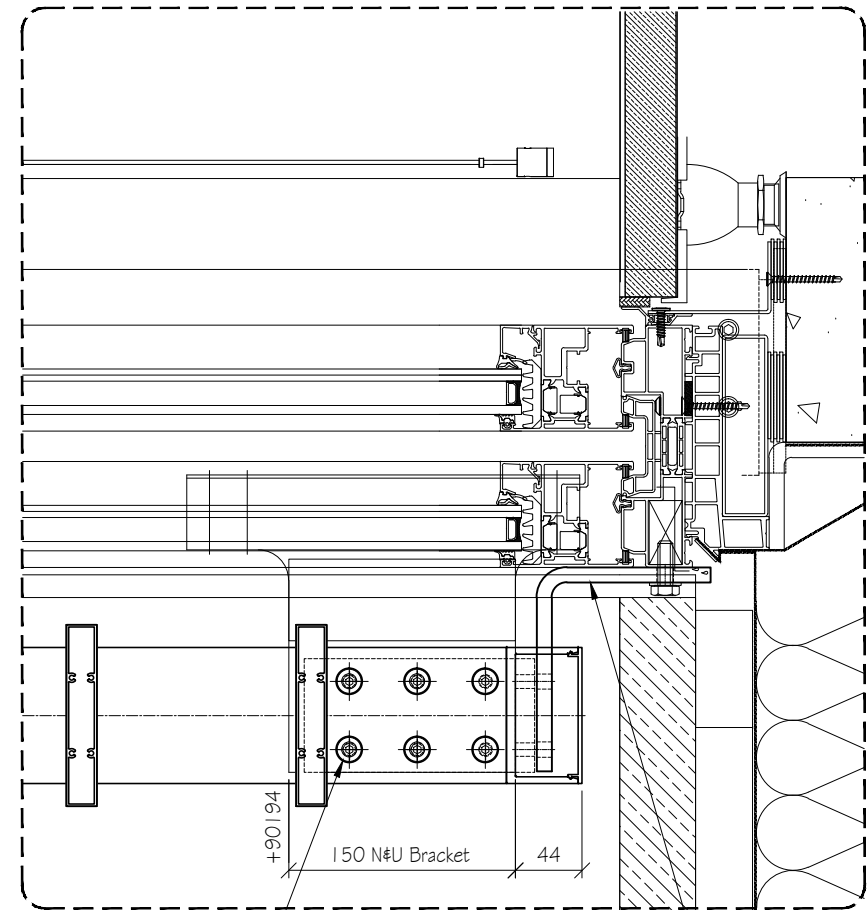
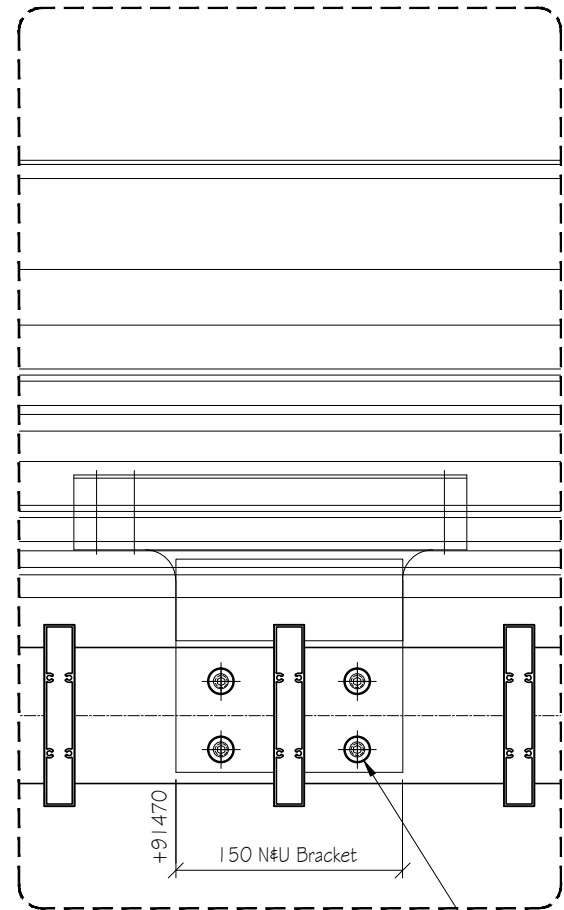
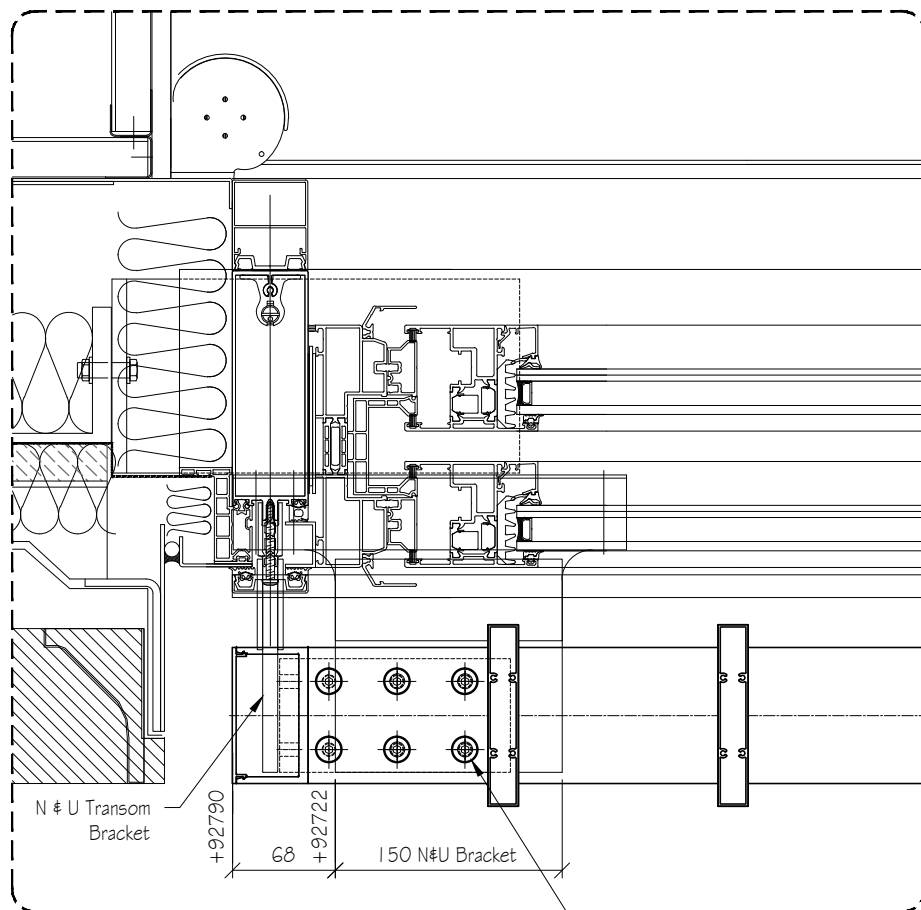
SCALE
1:10 @: A3
DRAWN BY
PG
PROJECT No.
J180108

DATE
13/11/2019
CHECKED BY
REV.
A
DRG.No.
415

**LEVOLUX**  
DESIGNED TO CONTROL

LEVOLUX LTD.

Forward Drive, Harrow, Middlesex, HA3 8NT, UK Tel (+44) 020 8863 9111 email: info@levolux.com	24 Eastville Close, Gloucester, GL4 3SJ, UK Tel (+44) 01452 500007 web: www.levolux.com
--	--



Section Thro' Level 5 Sliding Windows

Notes:  
1. See drawing 400 for detail specifications.

B	Frame Details Ameded.	13/11/2019
A	FOR APPROVAL	31/01/2019
REV	COMMENT	DATE
COPYRIGHT REMAINS WITH THE COMPANY. REPRODUCTION PROHIBITED.		

DRAWING STATUS	FOR APPROVAL
CLIENT	Willmott Dixon

DRAWING TITLE	Item 4 - Levels 5 & 6 Screens Typical Section Level 5
JOB TITLE	Pears Building

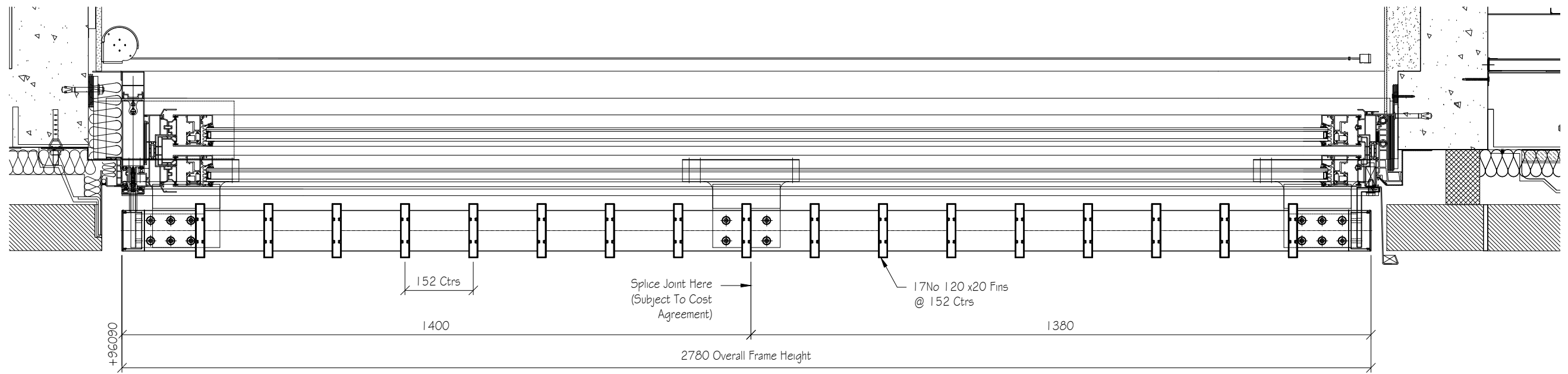
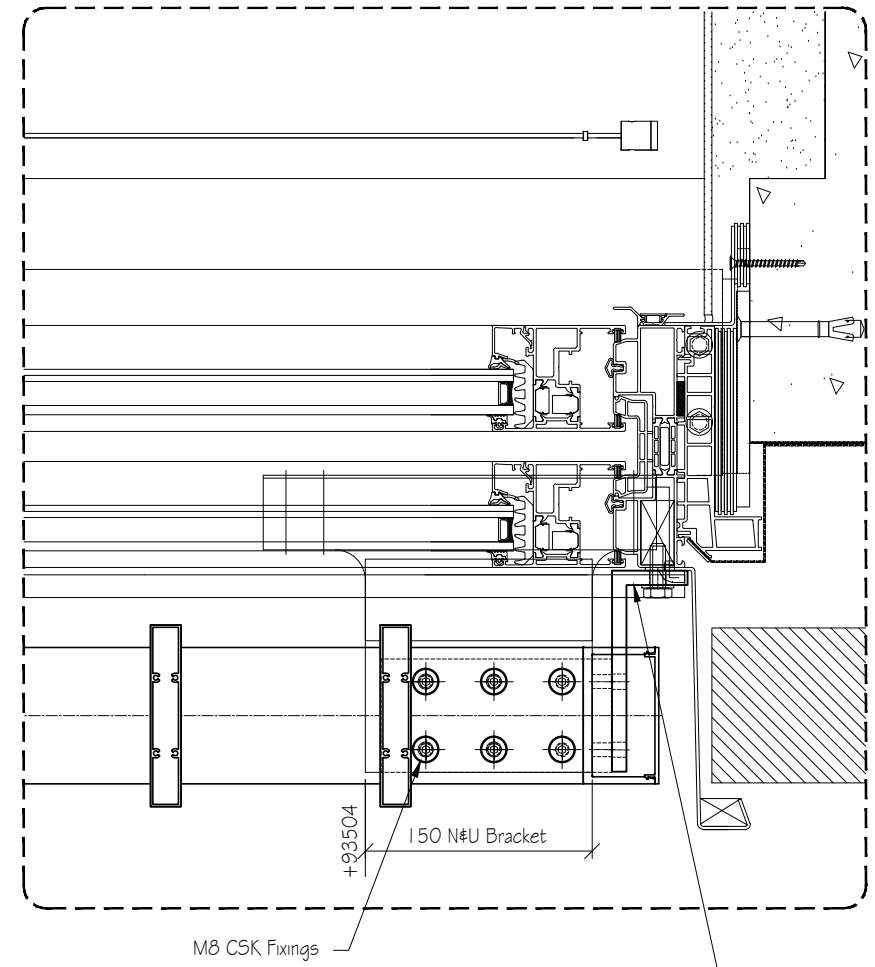
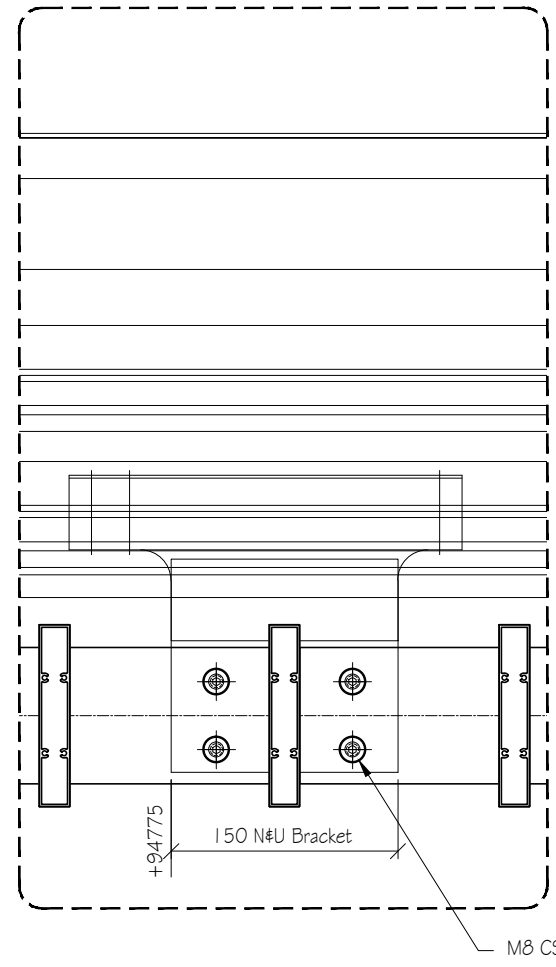
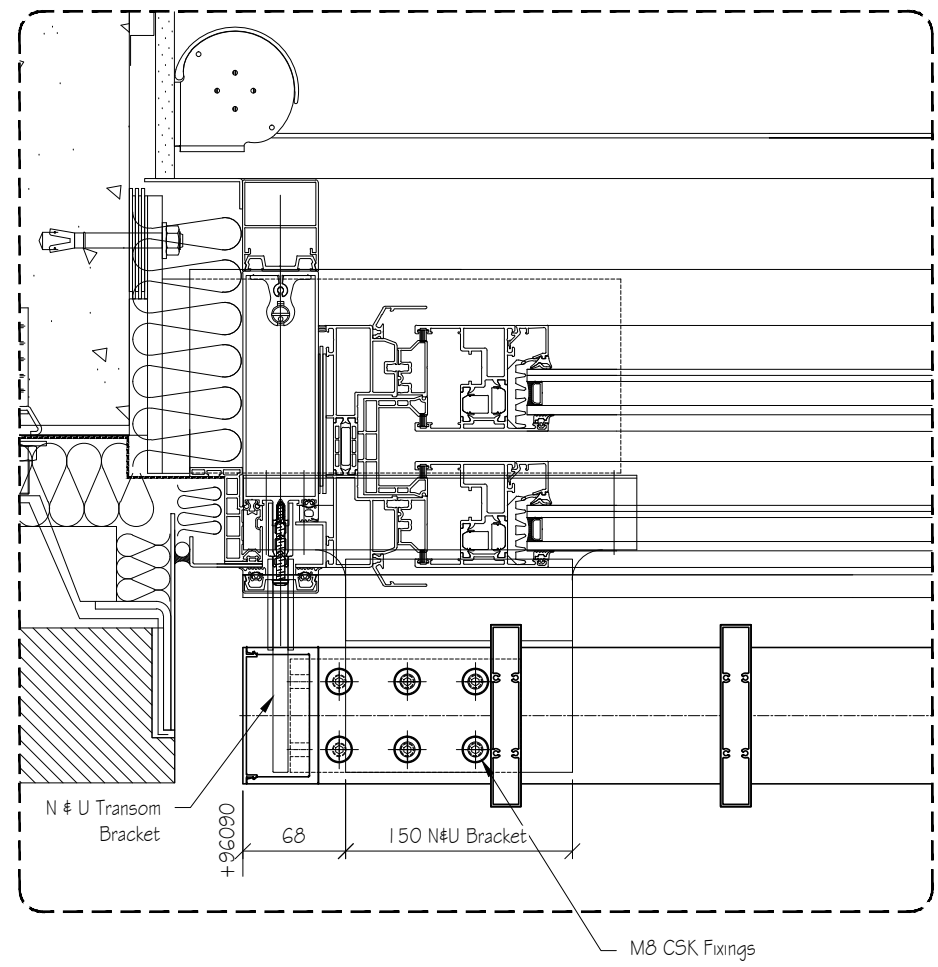
SCALE	1:10 @: A3
DRAWN BY	PG
PROJECT No.	J180108

DATE	24/01/2019
CHECKED BY	B
DRG.No.	420

**LEVOLUX**  
DESIGNED TO CONTROL

LEVOLUX LTD.  
Forward Drive, Harrow, Middlesex, HA3 8NT, UK  
Tel (+44) 020 8863 9111  
email: info@levolux.com

24 Eastville Close, Gloucester, GL4 3SJ, UK  
Tel (+44) 01452 500007  
web: www.levolux.com



Section Thro' Level 6 Sliding Windows

Notes:  
1. See drawing 400 for detail specifications.

REV	COMMENT	DATE
B	Frame Details Ameded.	13/11/2019
A	FOR APPROVAL	31/01/2019

COPYRIGHT REMAINS WITH THE COMPANY. REPRODUCTION PROHIBITED.

DRAWING STATUS  
**FOR APPROVAL**

CLIENT  
Willmott Dixon

DRAWING TITLE  
Item 4 - Levels 5 & 6 Screens  
Typical Section Level 6

JOB TITLE  
Pears Building

SCALE  
1:10 @: A3

DRAWN BY  
PG

PROJECT No.  
J180108

DATE  
24/01/2019

CHECKED BY

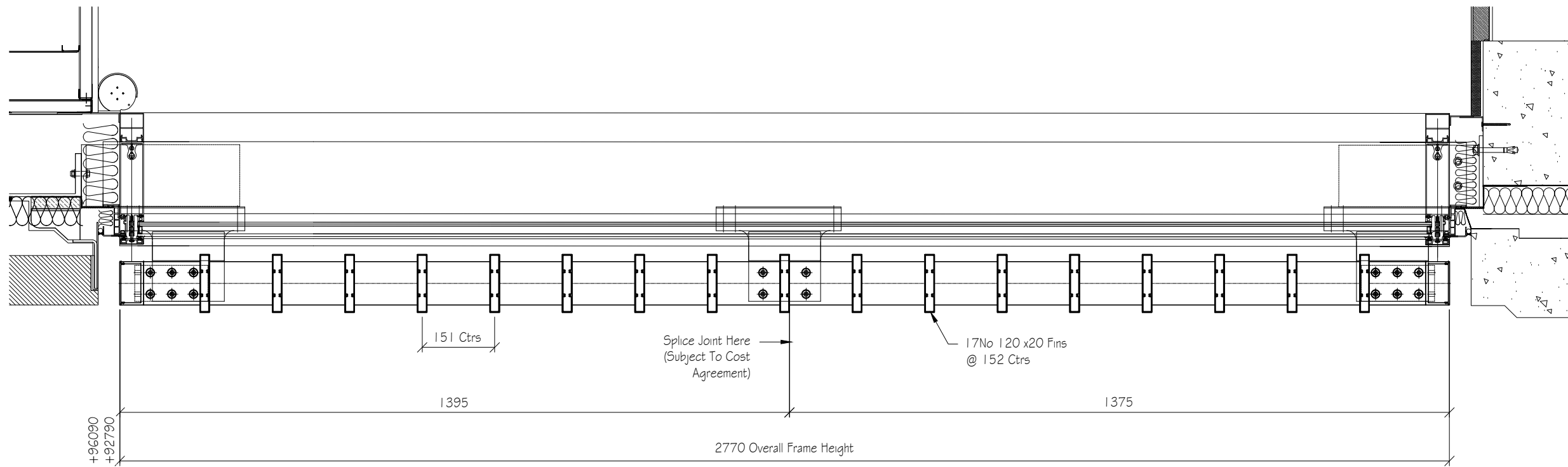
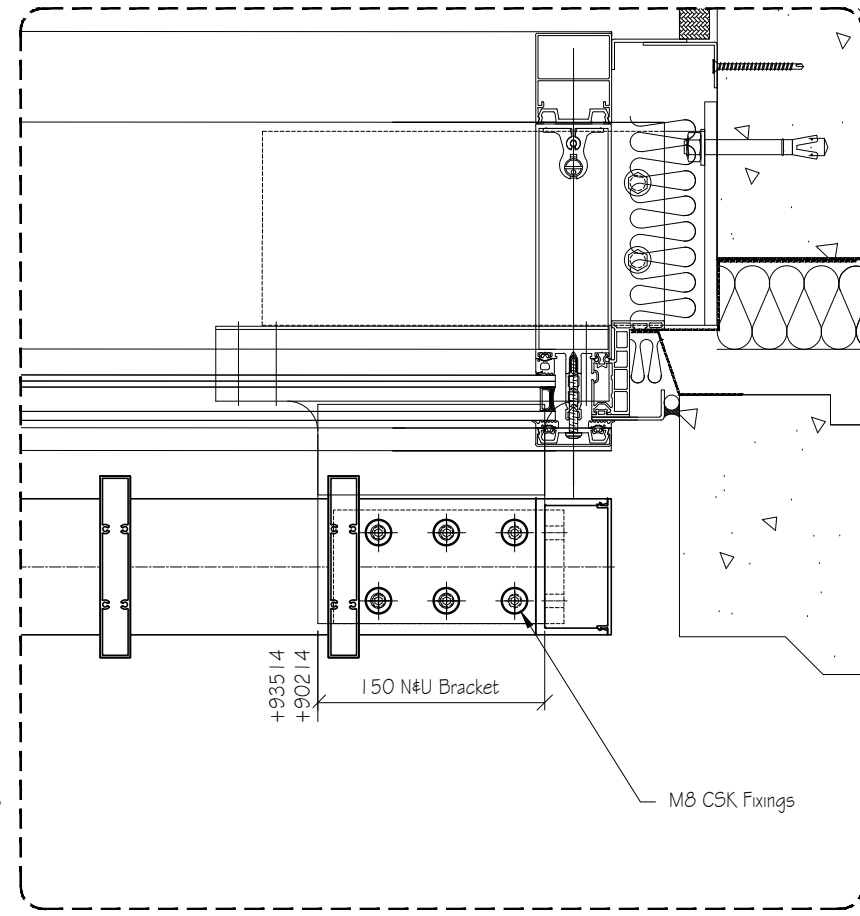
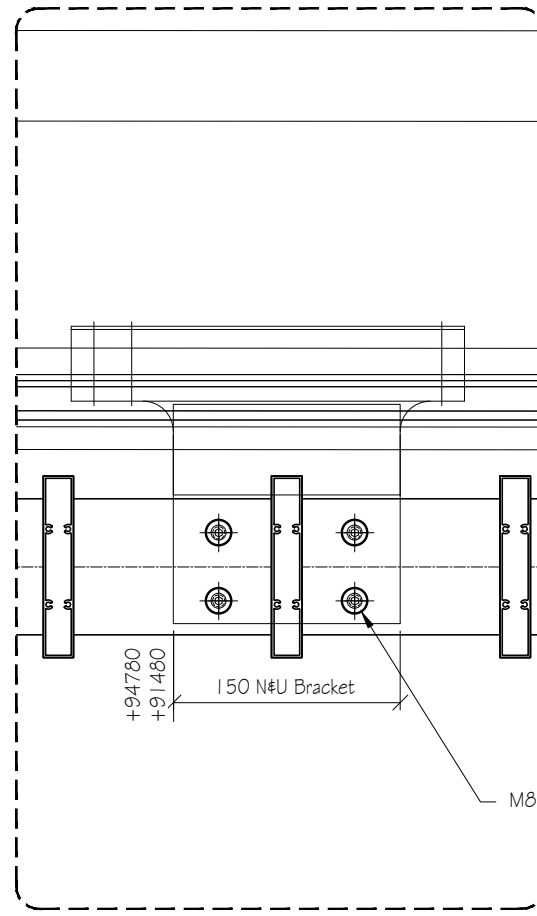
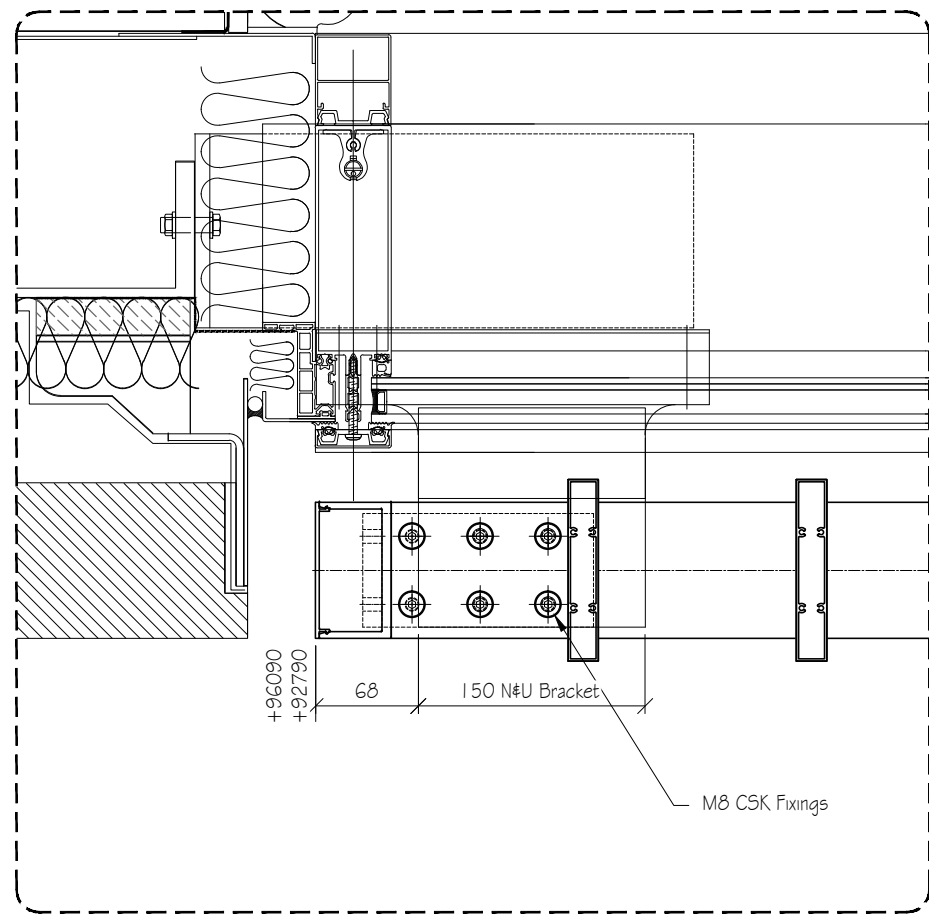
REV.  
B

DRG.No.  
421

**LEVOLUX**  
DESIGNED TO CONTROL

LEVOLUX LTD.  
Forward Drive, Harrow, Middlesex, HA3 8NT, UK  
Tel (+44) 020 8863 9111  
email: info@levolux.com

24 Eastville Close, Gloucester, GL4 3SJ, UK  
Tel (+44) 01452 500007  
web: www.levolux.com



Section Thru Levels 5 & 6 Fixed Windows

Notes:  
1. See drawing 400 for detail specifications.

A	FOR APPROVAL	13/11/2019
REV	COMMENT	DATE
COPYRIGHT REMAINS WITH THE COMPANY. REPRODUCTION PROHIBITED.		

DRAWING STATUS	FOR APPROVAL
CLIENT	Willmott Dixon

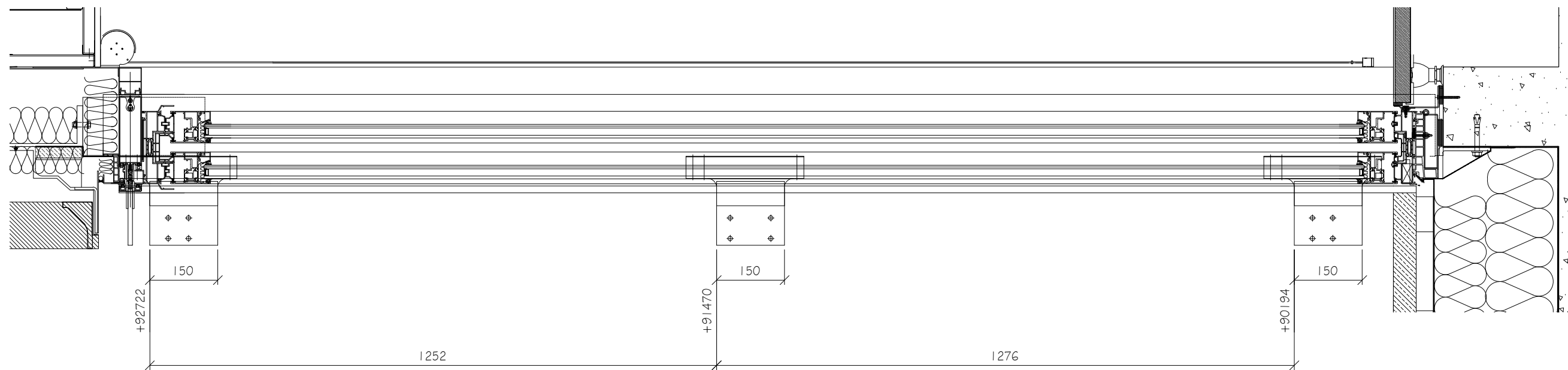
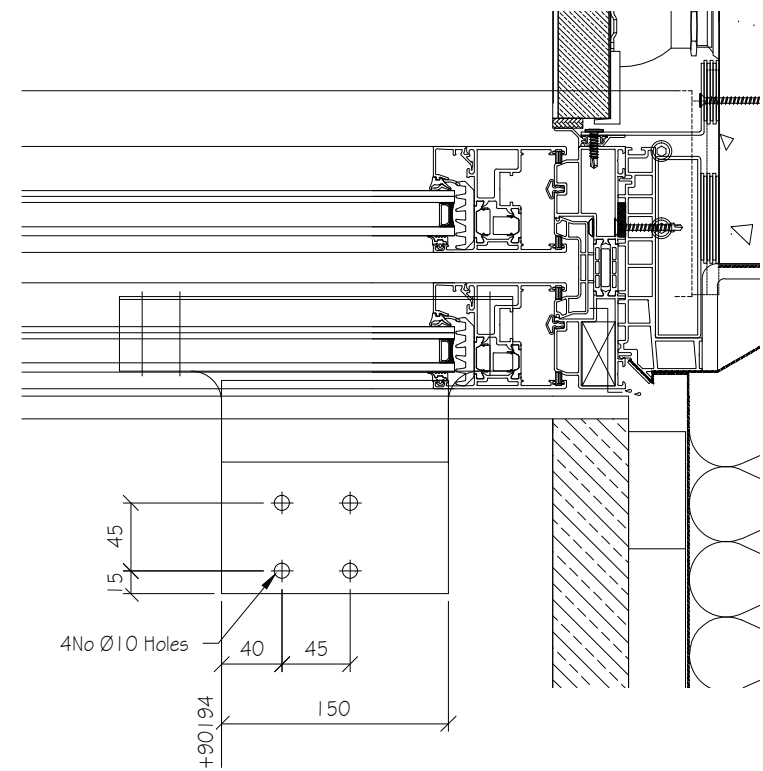
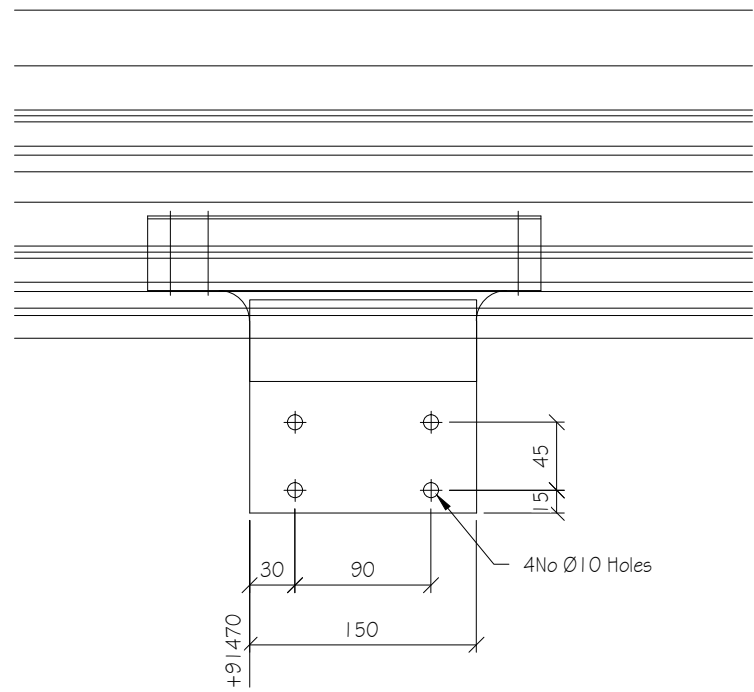
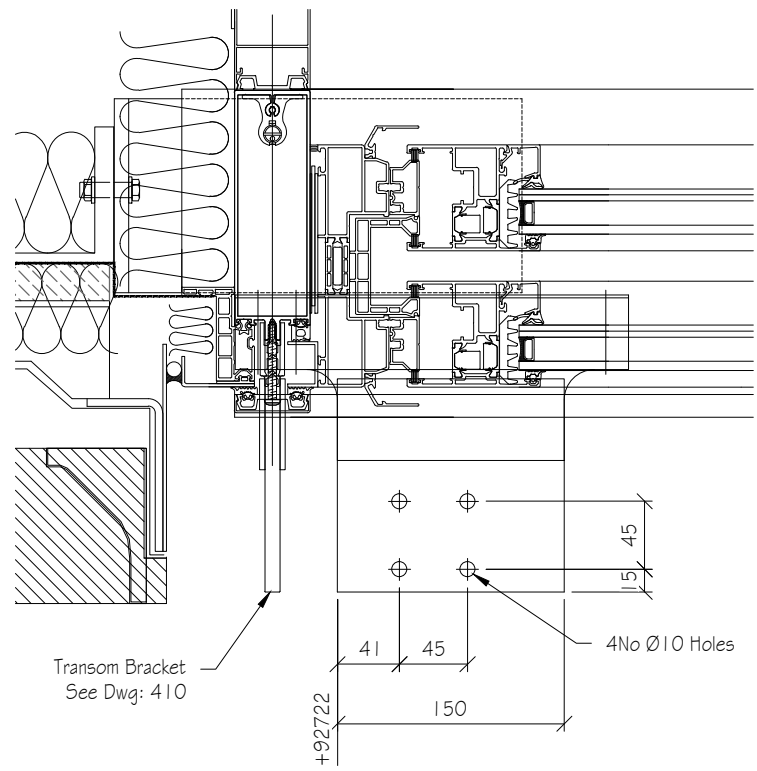
DRAWING TITLE	Item 4 - Levels 5 & 6 Screens Typical Section Levels 5 & 6
JOB TITLE	Pears Building

SCALE	1:10 @: A3
DRAWN BY	PG
PROJECT No.	J180108

DATE	13/11/2019
CHECKED BY	REV. A
DRG.No.	422

**LEVOLUX**  
DESIGNED TO CONTROL

LEVOLUX LTD.  
24 Eastville Close,  
Gloucester, GL4 3SJ, UK  
Tel (+44) 01452 500007  
web:www.levolux.com



Section Thro' Level 5 Sliding Windows

Notes:  
1. See drawing 400 for detail specifications.

B	Frame Details Amended.	13/11/2019
A	FOR APPROVAL	31/01/2019
REV	COMMENT	DATE
COPYRIGHT REMAINS WITH THE COMPANY. REPRODUCTION PROHIBITED.		

DRAWING STATUS	FOR APPROVAL
CLIENT	Willmott Dixon

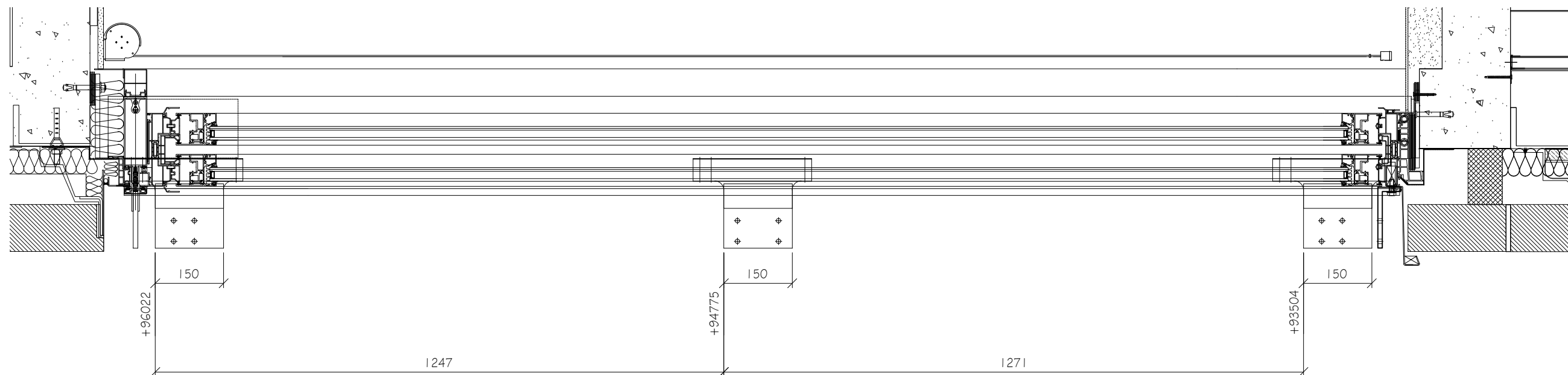
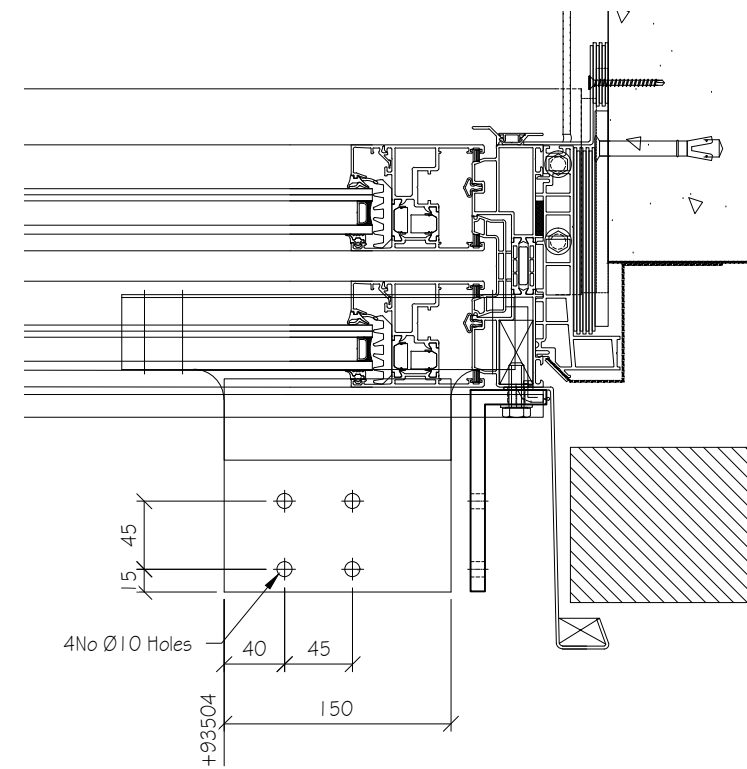
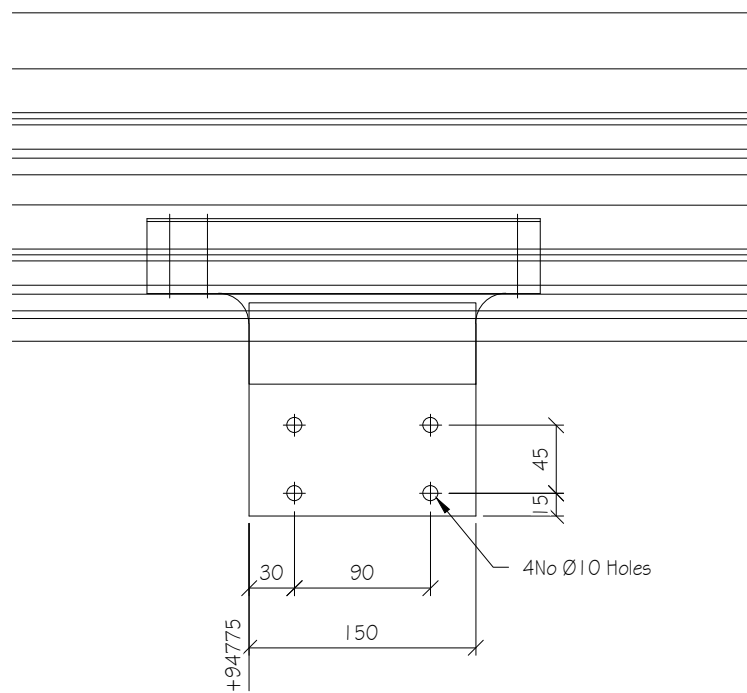
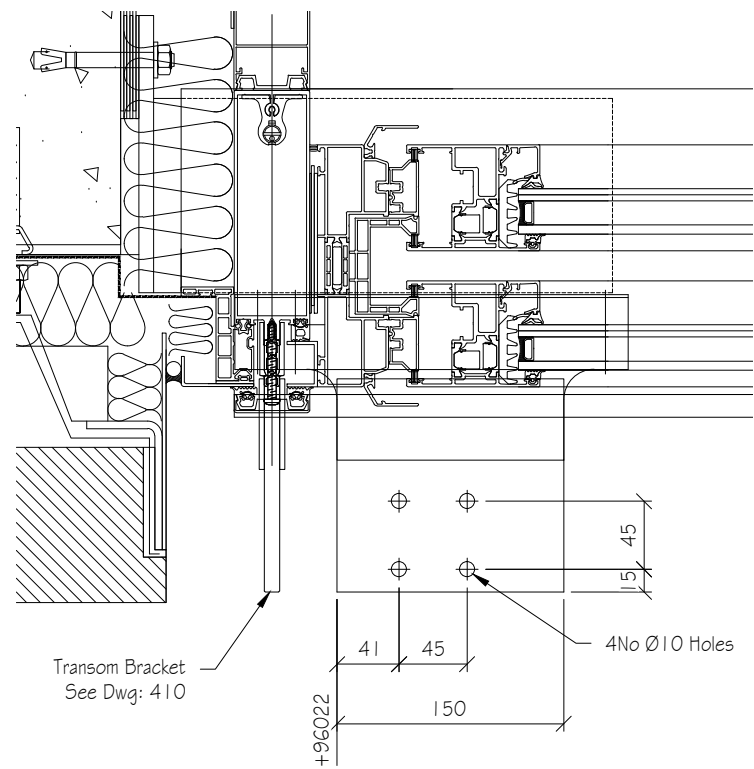
DRAWING TITLE	Item 4 - Levels 5 & 6 Screens Bracket Prep. Details - Level 5
JOB TITLE	Pears Building

SCALE	1:10 @: A3
DRAWN BY	PG
PROJECT No.	J180108

DATE	24/01/2019
CHECKED BY	B
DRG.No.	430

**LEVOLUX**  
DESIGNED TO CONTROL

LEVOLUX LTD.  
24 Eastville Close,  
Gloucester, GL4 3SJ, UK  
Tel (+44) 020 8863 9111  
email: info@levolux.com  
web: www.levolux.com



Section Thro' Level 6 Sliding Windows

1

Notes:  
1. See drawing 400 for detail specifications.

B	Frame Details Ameded.	13/11/2019
A	FOR APPROVAL	31/01/2019
REV	COMMENT	DATE
COPYRIGHT REMAINS WITH THE COMPANY. REPRODUCTION PROHIBITED.		

DRAWING STATUS	FOR APPROVAL
CLIENT	Willmott Dixon

DRAWING TITLE	Item 4 - Levels 5 & 6 Screens Bracket Prep. Details - Level 6
JOB TITLE	Pears Building

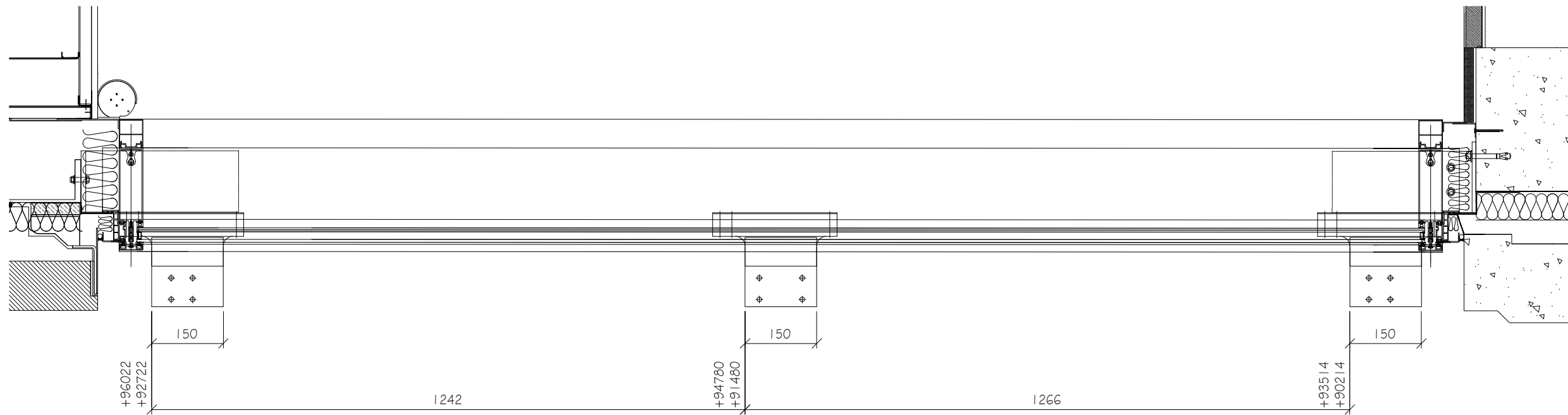
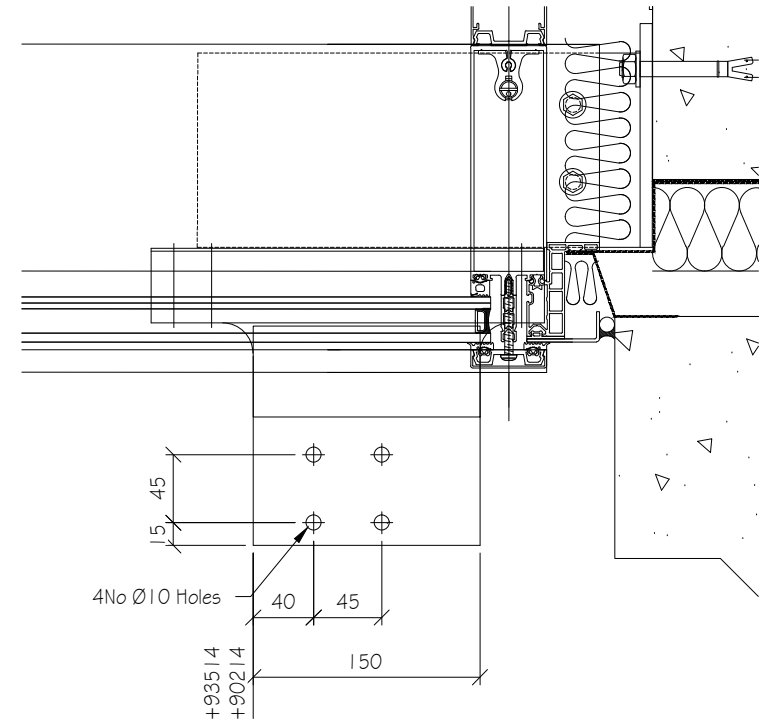
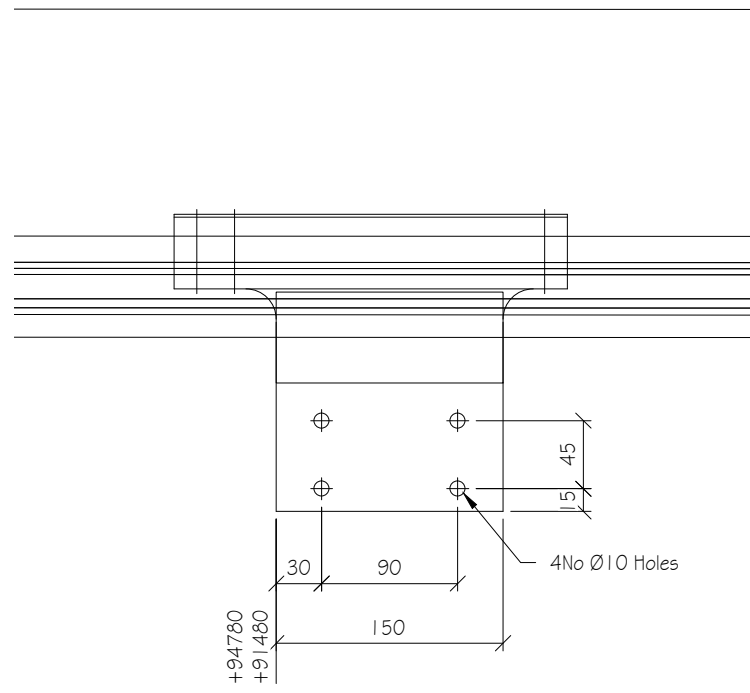
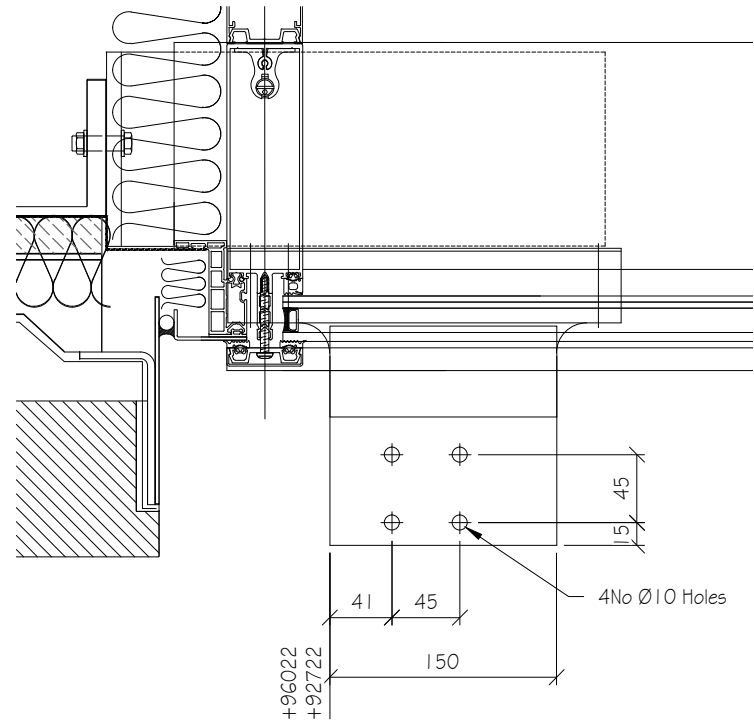
SCALE	1:10 @: A3
DRAWN BY	PG
PROJECT No.	J180108

DATE	24/01/2019
CHECKED BY	B
DRG.No.	431

**LEVOLUX**  
DESIGNED TO CONTROL

LEVOLUX LTD.  
Forward Drive, Harrow, Middlesex, HA3 8NT, UK  
Tel (+44) 020 8863 9111  
email: info@levolux.com

24 Eastville Close, Gloucester, GL4 3SJ, UK  
Tel (+44) 01452 500007  
web: www.levolux.com



Section Thro' Levels 5 & 6 Fixed Windows

Notes:  
1. See drawing 400 for detail specifications.

A	FOR APPROVAL	31/01/2019
REV	COMMENT	DATE
COPYRIGHT REMAINS WITH THE COMPANY. REPRODUCTION PROHIBITED.		

DRAWING STATUS	FOR APPROVAL
CLIENT	Willmott Dixon

DRAWING TITLE	Item 4 - Levels 5 & 6 Screens Bracket Prep. Details - Levels 5 & 6
JOB TITLE	Pears Building

SCALE	1:10 @: A3
DRAWN BY	PG
PROJECT No.	J180108

DATE	24/01/2019
CHECKED BY	REV. A
DRG.No.	432

**LEVOLUX**  
DESIGNED TO CONTROL

LEVOLUX LTD.  
Forward Drive, Harrow, Middlesex, HA3 8NT, UK  
Tel (+44) 020 8863 9111  
email: info@levolux.com

24 Eastville Close, Gloucester, GL4 3SJ, UK  
Tel (+44) 01452 500007  
web: www.levolux.com