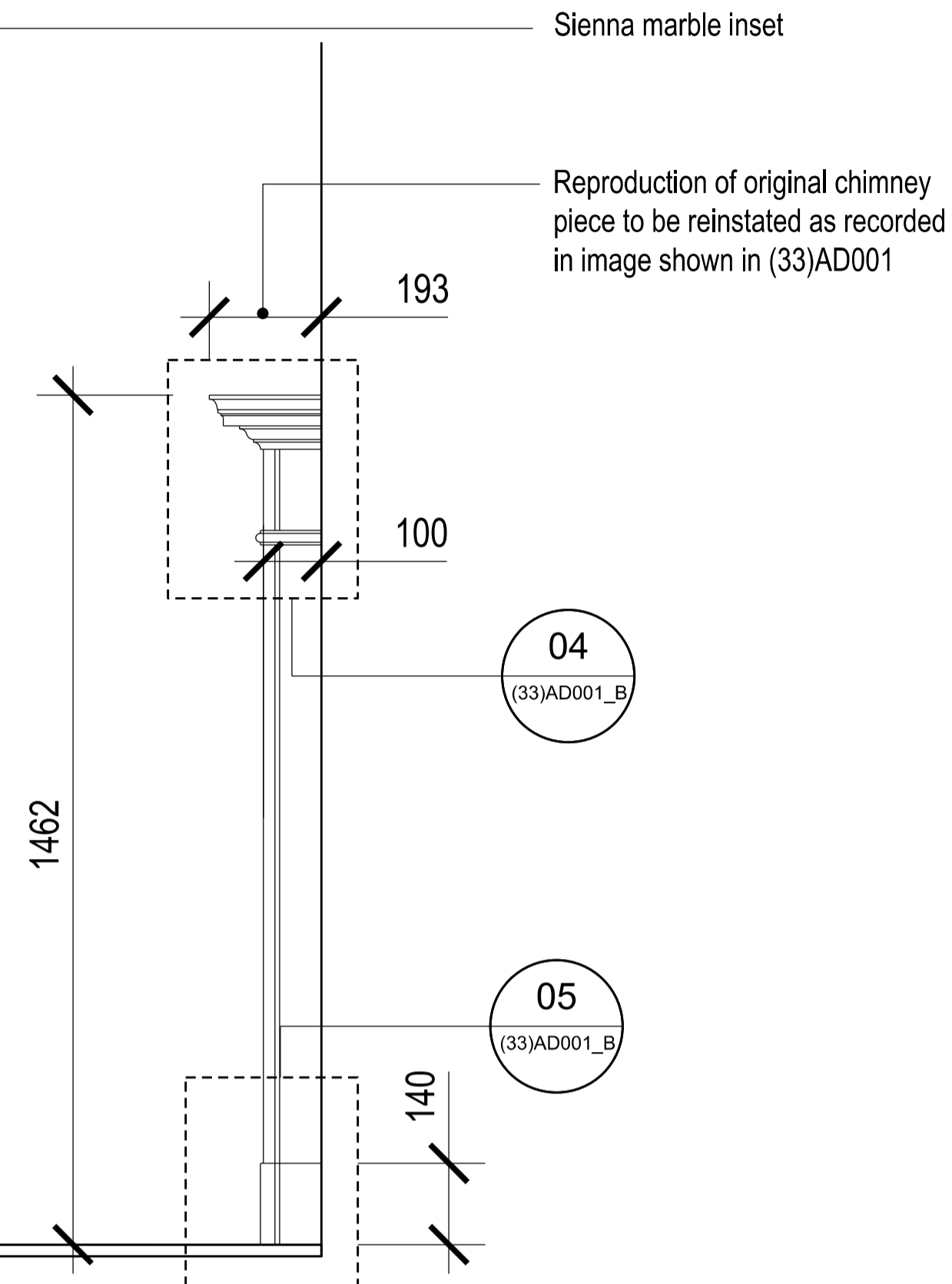
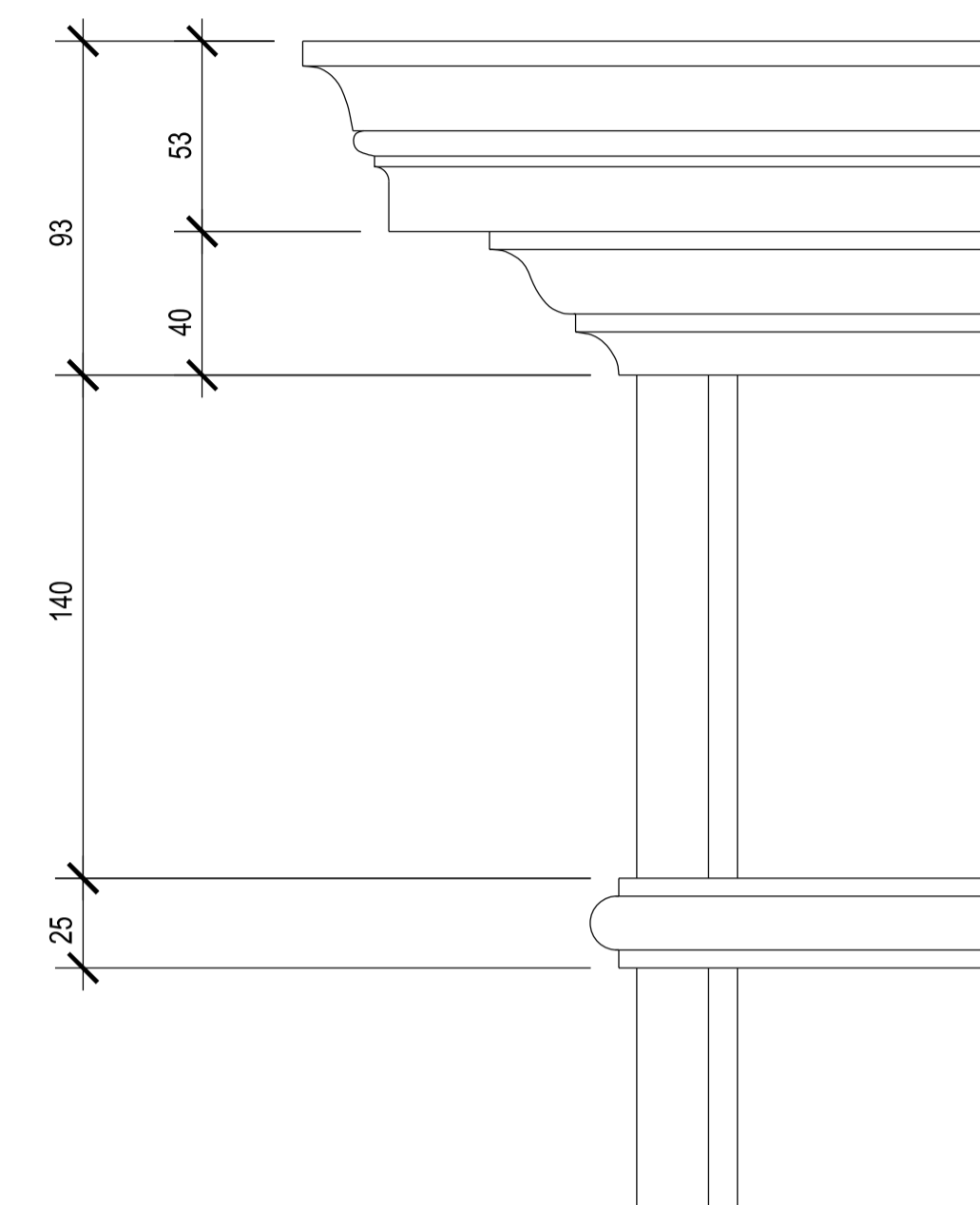


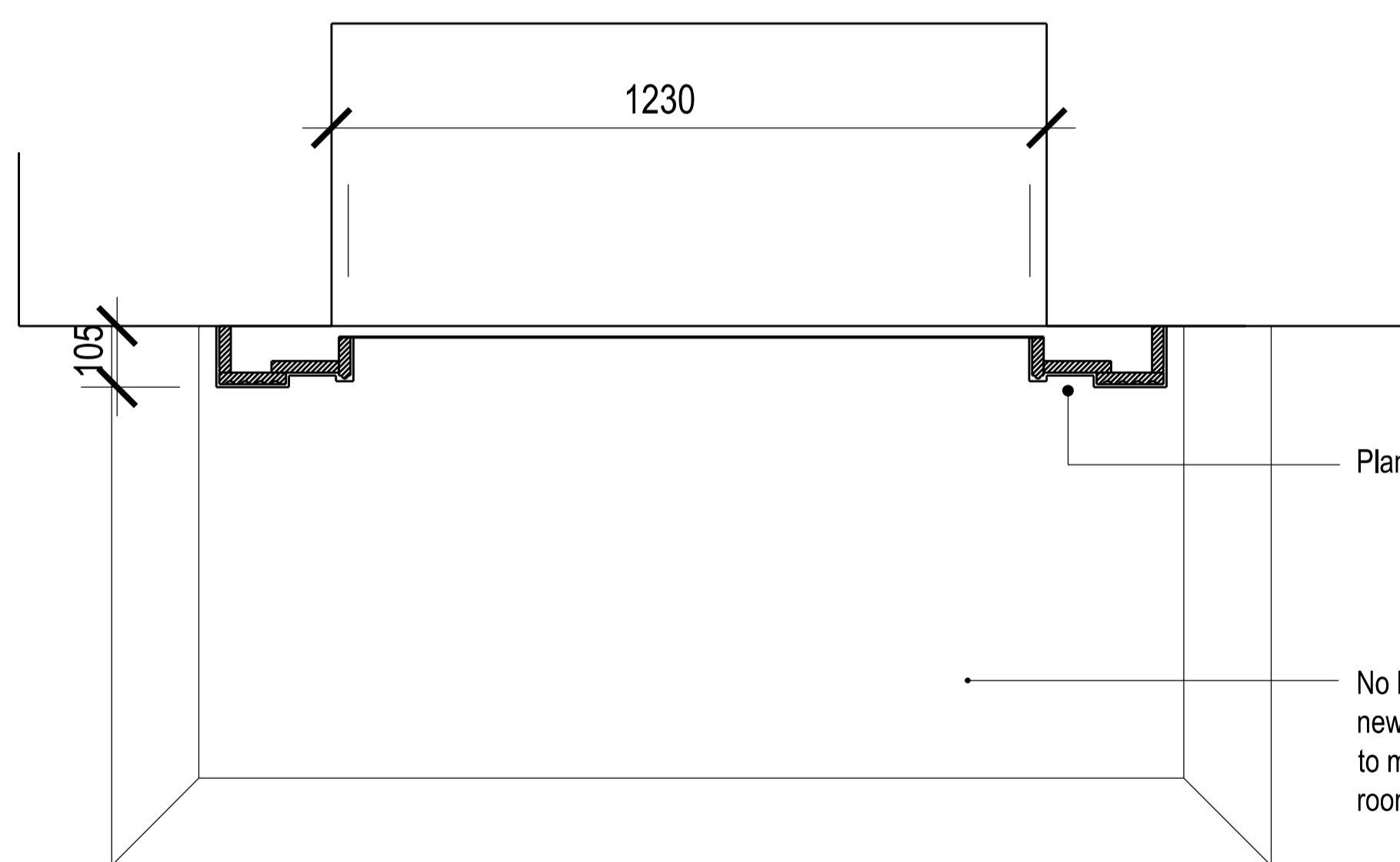
01 CHIMNEY PIECE ELEVATION REPRODUCTION
scale 1:10



03 CHIMNEY PIECE SIDE ELEVATION REPRODUCTION
scale 1:10



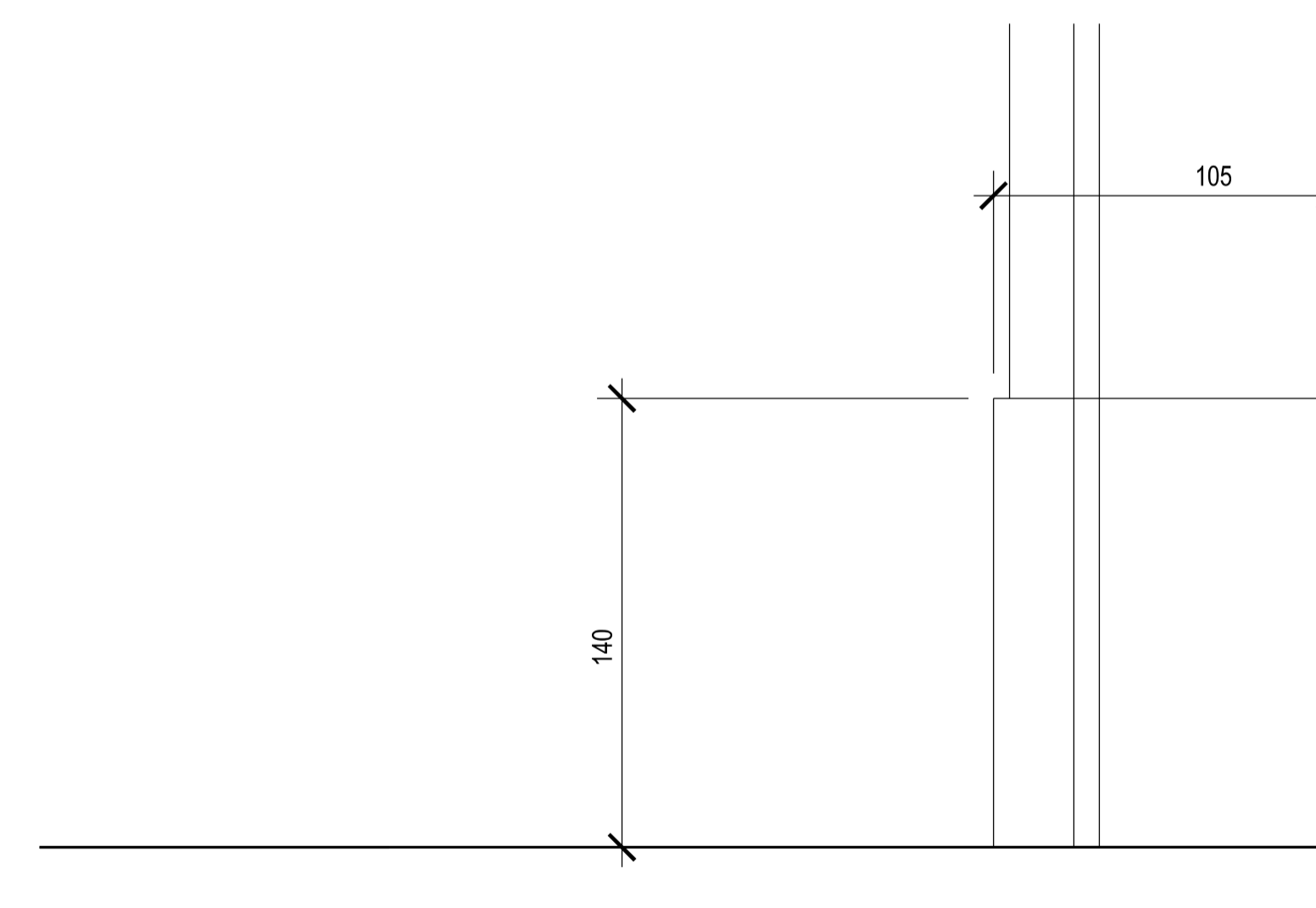
04 TOP PROFILE
scale 1:2



02 CHIMNEY PIECE PLAN REPRODUCTION
scale 1:10

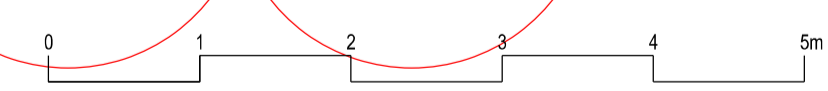
Plan profile of chimney piece reproduction

No hearth stone found upon removal of flooring. A new hearth stone in carrara marble to be installed to match the original one found in the reception room with new timber hearth surround.



05 BASE PROFILE
scale 1:2

Rev A: Revised Chimney Piece



BUILDING DESIGN PARTNERSHIP LTD SHALL HAVE NO RESPONSIBILITY FOR ANY USE MADE OF THIS DOCUMENT OTHER THAN FOR THAT WHICH IT WAS PREPARED AND ISSUED

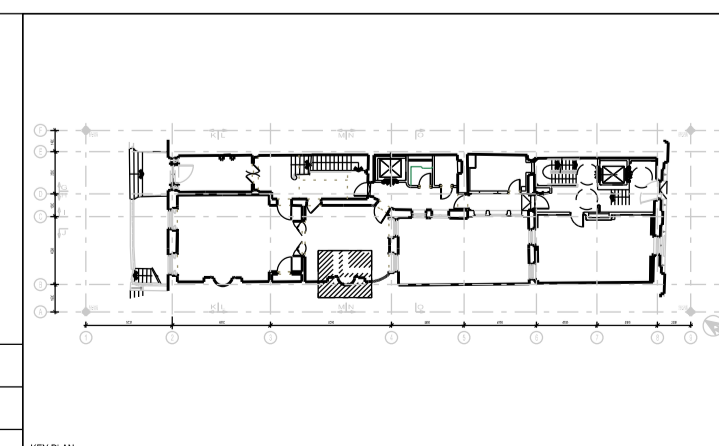
ALL DIMENSIONS SHOULD BE CHECKED ON SITE.

DO NOT SCALE FROM THIS DRAWING.

ANY DRAWING ERRORS OR DIVERGENCES SHOULD BE BROUGHT TO THE ATTENTION OF BUILDING DESIGN PARTNERSHIP LTD AT THE ADDRESS SHOWN.

REVISION/DESCRIPTION	DRAWN	CHECKED	DATE	REVISION/DESCRIPTION	DRAWN	CHECKED	DATE

A- FOR DISCHARGE OF CONDITIONS	LC	AC	22.05.2020
- FOR DISCHARGE OF CONDITIONS	LC	AC	20.04.2020



CLIENT LOGO

BDP.
16 Brewhouse Yard
Clerkenwell
London, EC1V 4LJ
United Kingdom
T +44 (0)20 7812 8000
F +44 (0)20 7812 8399
www.bdp.com

PROJECT TITLE 42 BEDFORD SQUARE	
PROJECT NUMBER P2005698	SCALE B/A1
DRAWING TITLE 0.05 DINING ROOM GROUND FLOOR PLAN CHIMNEY PIECE REPRODUCTION	varies
DRAWING NO. (33)AD001_B_MH	DATE 03.2019
	REVISION A