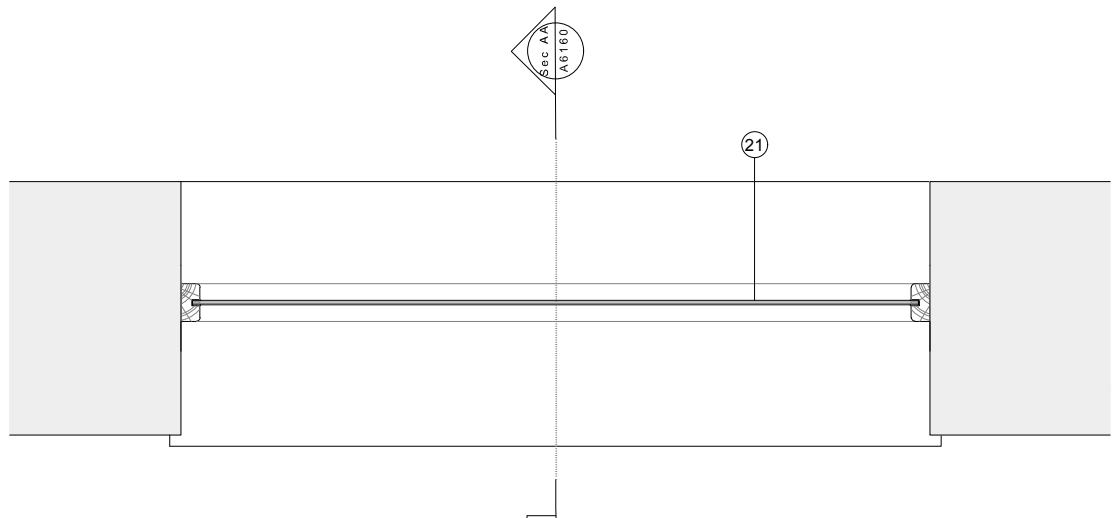


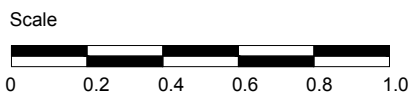
01 PROPOSED SECTION A-A
A6100 SCALE AT 1:20

LEGEND

1. Existing stone facade
2. Existing stone window surrounds
3. Existing single pane fixed glazing - cleaned and repaired / replaced where damaged
4. Existing timber window frame - refurbished and re-painted
5. Existing single glazed timber vertical sliding sash window
6. Existing decorative coricing
7. Existing painted timber window board
8. Existing steel sash lifts retained
9. Existing steel sash locks removed
10. Existing decorative timber panelling to internal face and window reveals
11. Existing painted timber skirting
12. New slimlite double glazing inserted into existing timber frame
13. New painted timber upstand
14. New sash window locks to lower sash vent / frame
15. New internal secondary glazed vertical sliding sash
16. New fabric roller blind
17. New internal secondary glazed fixed sash
18. New double glazed flush fixed multipart rooflight
19. New double glazed octagonal fixed multipart pitched rooflight
20. Existing roof covering
21. New fixed double glazed timber frame window



date	rev	revisions	notes
-	-	-	



notes

DMFK Architects Ltd take no responsibility for dimensions obtained by scaling from this drawing. If no dimension is shown the recipient must ascertain the dimension specifically from the architect or by site measurement and may not rely on the drawing. Supply of the drawing in digital form is solely for convenience and no reliance may be placed on any data in digital form. All data must be checked against hard copy. This drawing is issued for design intent only and should not be used for construction unless stated.

copyright
This drawing is the property of dMFK Architects Ltd. No disclosure or copy of it may be made without the written permission of dMFK Architects Ltd.

dMFK

DE METZ FORBES KNIGHT ARCHITECTS

add: the old library 119 cholmley gardens london nw6 1aa t 020 7435 1144 f 020 7435 0884 mail info@dmfk.co.uk

project 1 ELY PLACE, LONDON, EC1N 6RY

client THE HATTON GARDEN ESTATE

scale at A1 1:10

scale at A3 1:20

drawn TS

date DEC 19

project no. 2151

drawing no. A6160

revision -

drawing title

PROPOSED WINDOW DETAILS

WINDOW TYPE WT-09

scale at A1

scale at A3

drawn TS

date DEC 19

project no. 2151

drawing no. A6160

revision -