

REV	DATE	DESCRIPTION
01	21.05.20	Materials Conditions Submission

KEY PLAN

INFORMATION

PROJECT
115-119 Goldhurst Terrace

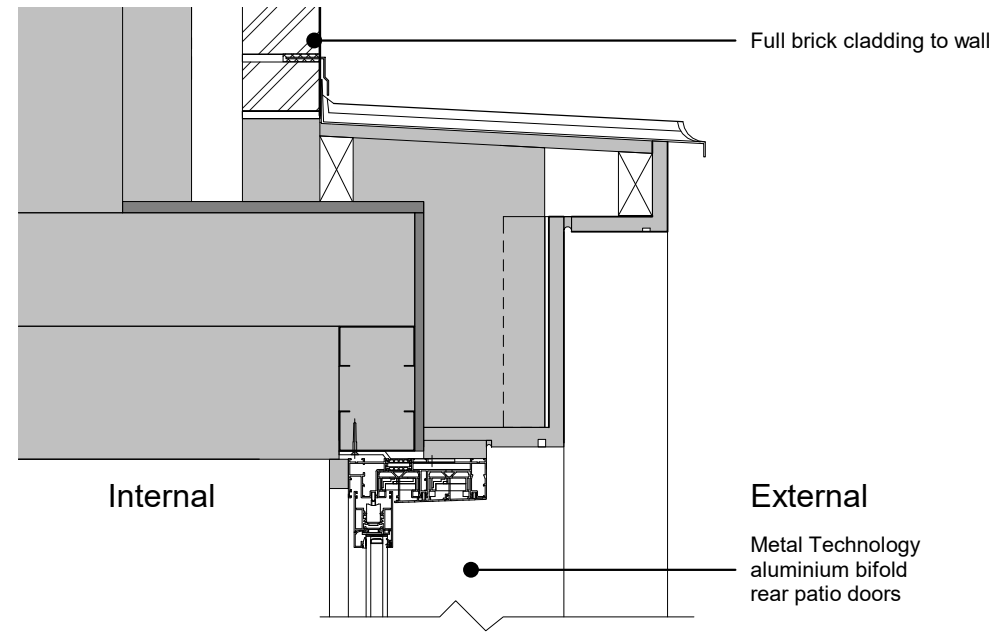
DRAWING TITLE
Rear Patio Door Details

SCALE
1:10 @ A3

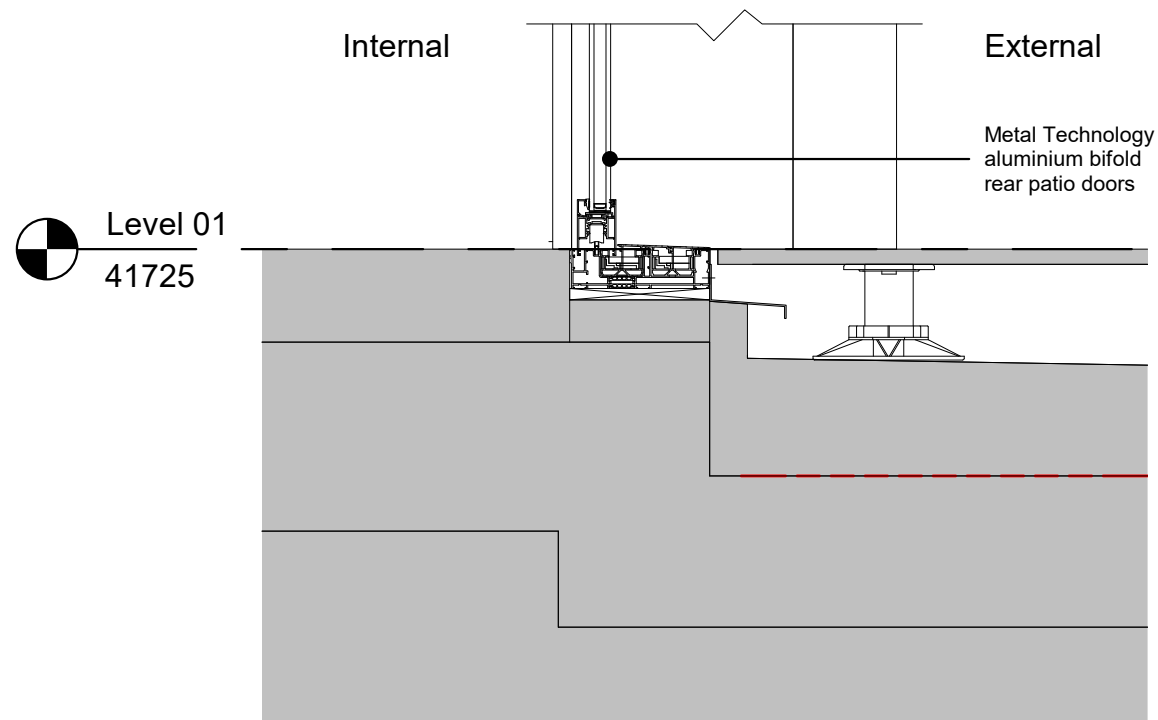
DRAWING NUMBER
SK-22

PLANNING

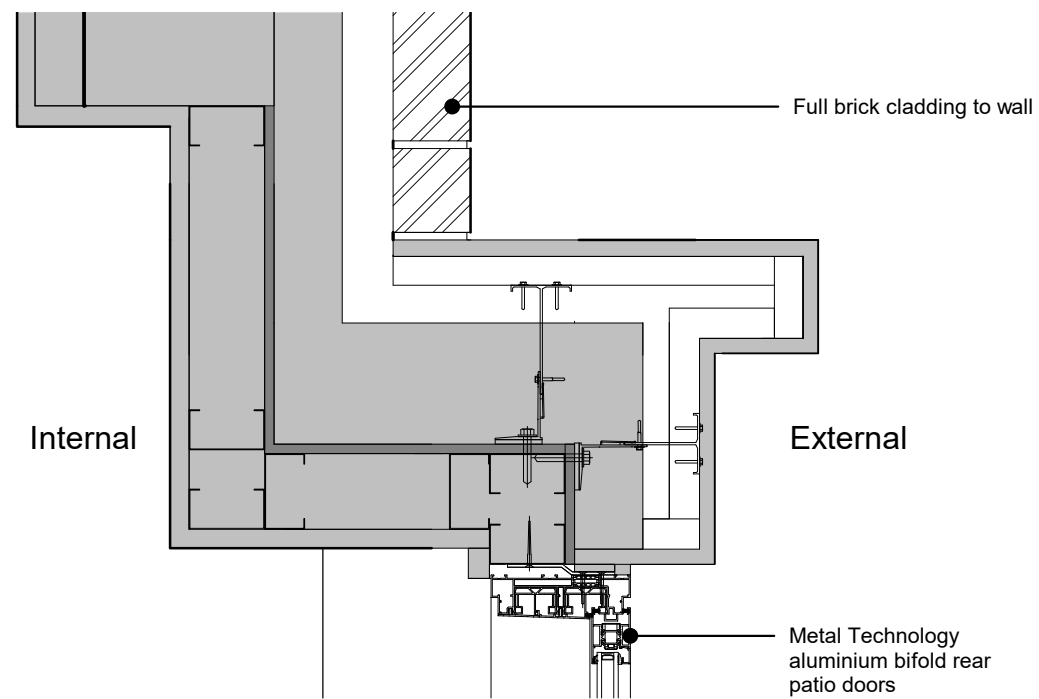
REV
01



1 Rear Patio Door Head Detail
Scale 1 : 10



2 Fenestration Detail 520-13 Planning
Scale 1 : 10



3 Rear Patio Door Jamb Detail
Scale 1 : 10



 **Metal Technology**

THERMAL™

System 26 Hi+ Bi-Fold

Since 1985 Metal Technology has been defining spaces through its architectural glazing solutions and has grown to become one of the UK and Ireland's leading designers and suppliers of bespoke aluminium window, door, curtain wall and solar shading systems for commercial and residential applications. We are committed to developing products which minimise their environmental impact while providing high levels of insulation and thermal performance.

Using the latest design technology our 3D software allows us the opportunity to combine the strength, durability and lightness of aluminium with its recyclability and low maintenance credentials. These qualities ensure our products offer one of the most sustainable building materials available.



Defining spaces *for living*



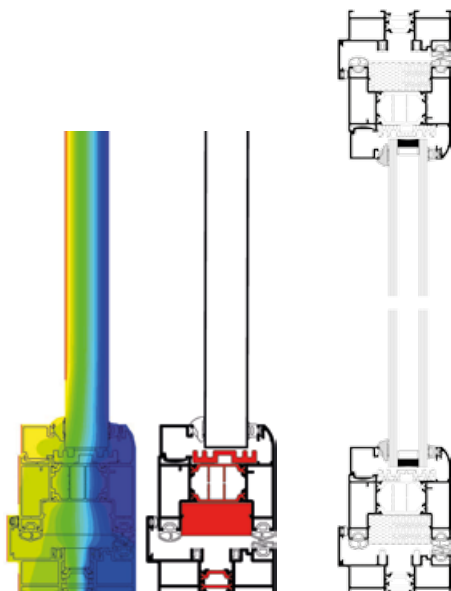
Elegant and aesthetically appealing, yet durable and energy efficient. Metal Technology's Living range of **THERMAL** window, door and curtain walling systems are the intelligent choice for giving your home invigorating daylight with premium product quality and superior performance which are blended together to enhance your lifestyle.

Metal Technology's Bi-Folding doors are the perfect solution to open up your home and bring the outside in, while keeping the elements out. Our Bi-Fold doors offer a wide range of designs from two to six panes and up to 6 metres in width giving architects, clients and specifiers total design flexibility. Door sashes can accommodate either open in or open out applications, with both curved and flush profile door leaves and fully rebated or low thresholds.



Thermal Performance

Metal Technology's Bi-Fold doors offer exceptionally low U values using bespoke polyamide thermal isolators designed to minimise heat transfer across the door profiles. This can be further enhanced with a high insulation (Hi+) option of uniquely designed cellular foams which enclose internal cavities within the profile, further reducing heat loss and providing one of the most thermally efficient systems available.



THERMAL

Achievable whole door U-value	Centre pane U-value	
		1.1 W/m ² K
System 26 Hi Bi-Fold *	1.64 W/m²K	1.25 W/m²K
System 26 Hi+ Bi-Fold *	1.42 W/m²K	1.03 W/m²K

* Door U values based on 3000mm x 2200mm three pane Bi-Fold using warm edge swiss spacer V bars and fully rebated thresholds.

High Insulation System 26 Hi+ Bi-Fold

Metal Technology's high insulation System 26 Hi+ Bi-Fold will enhance your home and the way you live. As well as providing high levels of natural ventilation, our slimline profiles maximise the daylight and are suitable wherever you want to transform your home, from kitchen to living room, bedroom or conservatory. For ease of use, doors do not always require to be opened fully. They can be opened centrally like a French door or from the side like an entrance door

Aluminium profiles are available in a wide and diversified range of polyester powder coated RAL colours and finishes can be supplied in either single or dual colour options, allowing you to match the internal colour of the door to your room décor. Entrance and shootbolt handles are available in a standard range of finishes.



Whole Life Cost & Maintenance

Metal Technology consider the whole life cost and maintenance of the products we supply. Aluminium, which has a life span of 50+ years, is only part of the benefit. We ensure that we use only the highest quality components and simply maintained hardware to ensure they last a lifetime.

Weather & Durability

To meet the most stringent weather and operation criteria, the Metal Technology Bi-Fold door has been tested to BS 6375 parts 1 and 2 encompassing BSEN 1026, 1027 and 12211 and has achieved a severe rated certification.

Glazing & Acoustics

With noise control being a significant consideration in residential environments, the Bi-Fold door sashes have been designed to accommodate double glazed units from 28mm through to 50mm triple glazed units offering the highest levels of performance, with sash weights up to 100kgs.



Security

To ensure your home is protected, the Bi-Fold door incorporates multi-point security locking mechanisms on master leaf opening sashes with bespoke clamp on hinges. It has been designed with options to comply with security standard PAS24 in accordance with the criteria for Secure by Design. Shoot bolts and flush operating handles are used on intermediate sashes and all glazing units are internally beaded.



Metal Technology

T +44 (0)28 9448 7777
metaltechnology.com

