



Diagram C
Existing projecting architrave at front of 2 Upper Park Road



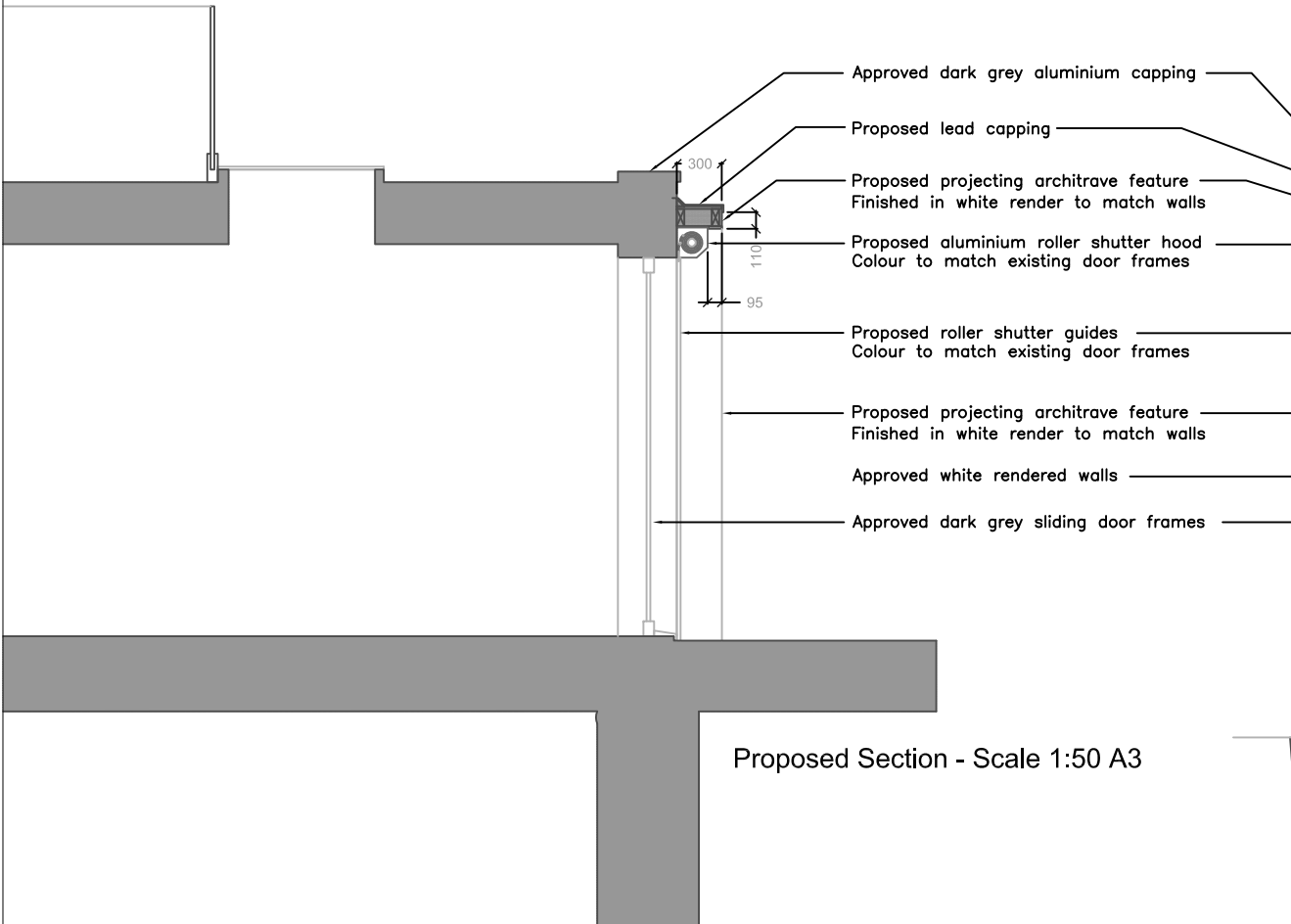
Diagram D
Proposed Visual showing projecting architrave and recessed roller shutter at rear of 2 Upper Park Road



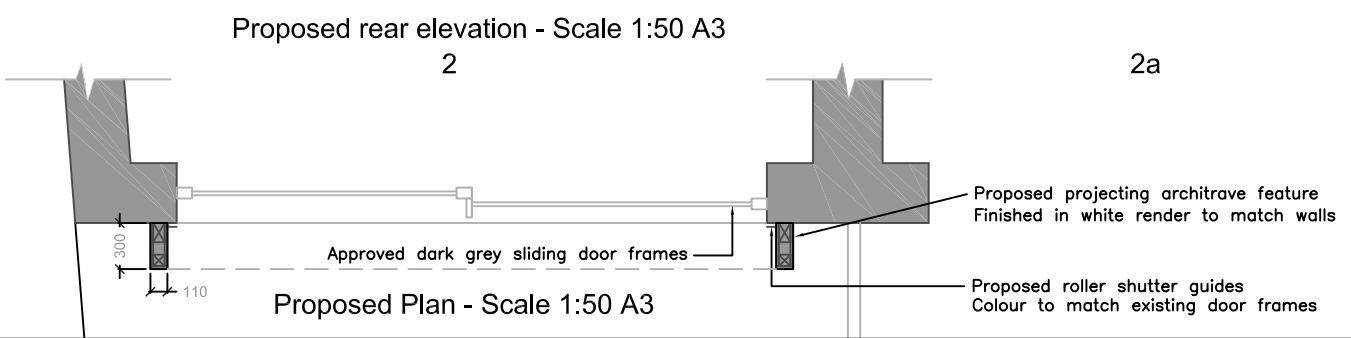
Proposed rear elevation - Scale 1:50 A3

2

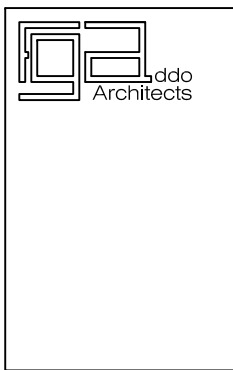
2a



Proposed Section - Scale 1:50 A3



Proposed Plan - Scale 1:50 A3



Architect
FgAddo Architects
 141 Sterling Gardens
 New Cross
 London SE14 6DU
 Tel: 07984 988 609
 Email:
 freddie@fgaddo-architects.co.uk
 Job title
 2 Upper Park Road NW3 2UP

Drawing title
**Proposed Rear Elevation
 Section and Visuals**
 Drawn by
 fa
 Date
 MAY 2020
 Scale
 1:50 A3
 Job No.
 129
 Project status
 PLANNING
 Drawing No.
 PA 102
 Revision

Rev	Description	Date	By