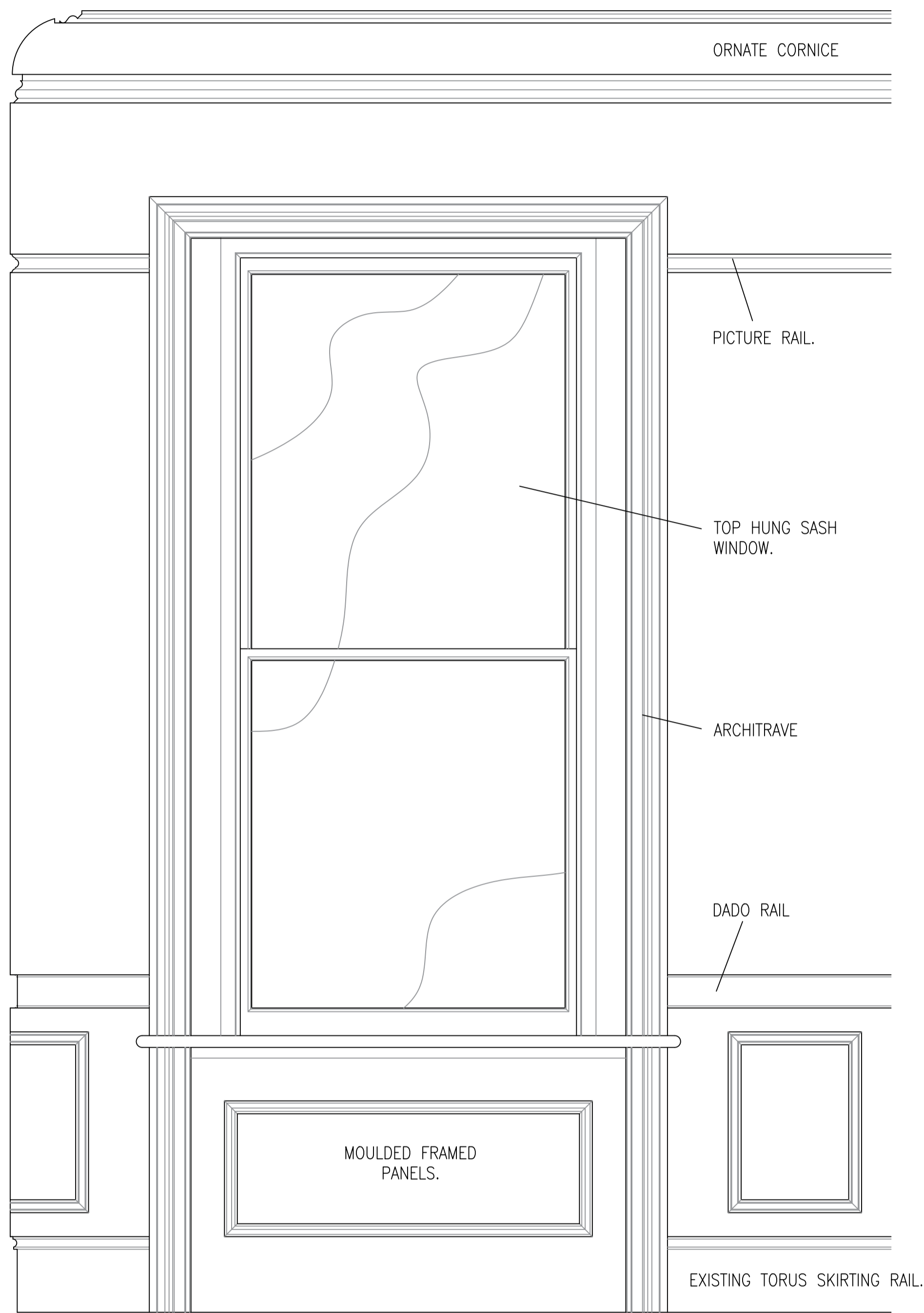
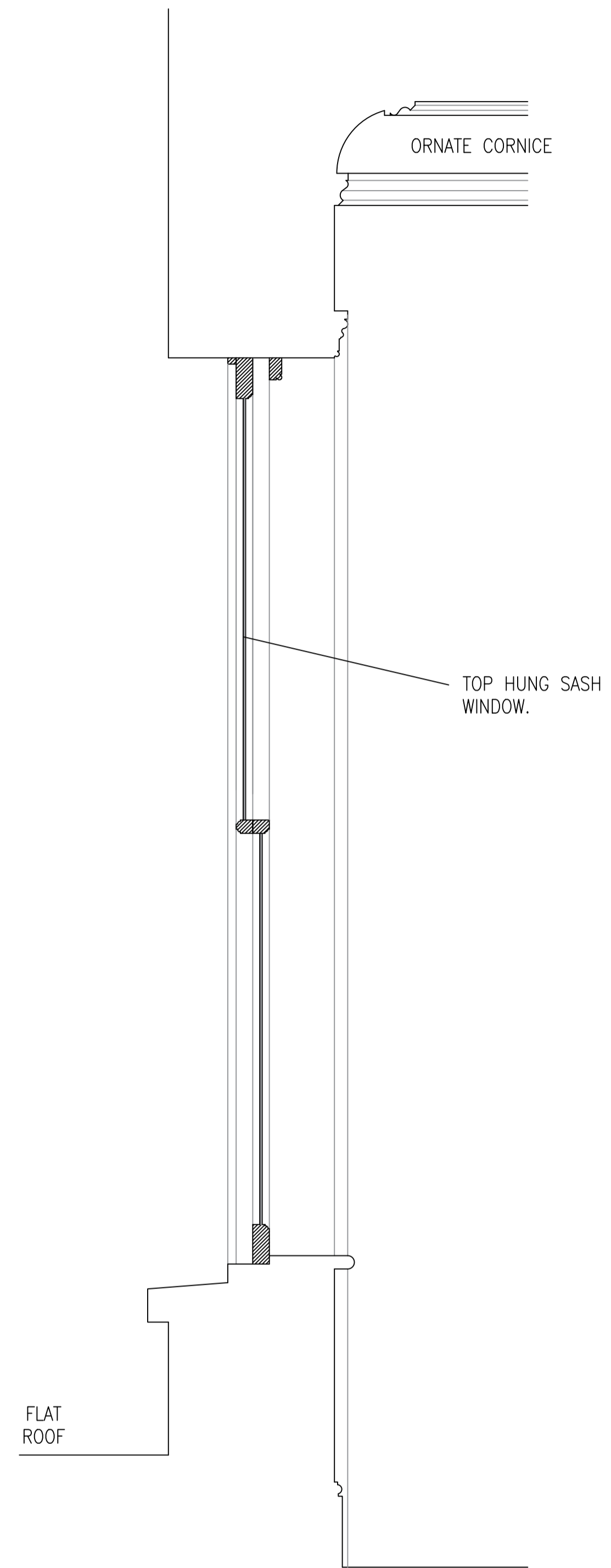


Contractors are to check all levels and dimensions before work is put in hand, and any discrepancies are to be referred to the architects

REV	DATE	DESCRIPTION	DWN	CHKD



EXISTING FIRST FLOOR WINDOW VIEWED INTERNAL.



EXISTING SECTION

## Application Drawing

**LAP**

Architects + Interior Designers Limited

123 NEW LONDON ROAD, CHELMSFORD, ESSEX, CM2 0QT

TEL: +44 (0) 1245 269755 FAX: +44 (0) 1245 250310

E-MAIL: admin@lap-architects.co.uk

www.lap-architects.com

project

The Bull & Gate  
389 Kentish Town Road  
London, NW5 2TJ

client

Young & Co's Brewery PLC

drawing title

Existing Window Detail

drawing number	revision
8732 07	
checked JMD	
scale 1:10@ A1	drawn JMD
	date JUNE 2019

This drawing is the property of LAP Architects + Interior Designers Ltd. and must not be copied or reproduced in any way in whole or in part without the express permission of LAP Architects + Interior Designers Ltd. Copyright © LAP Architects + Interior Designers Ltd.