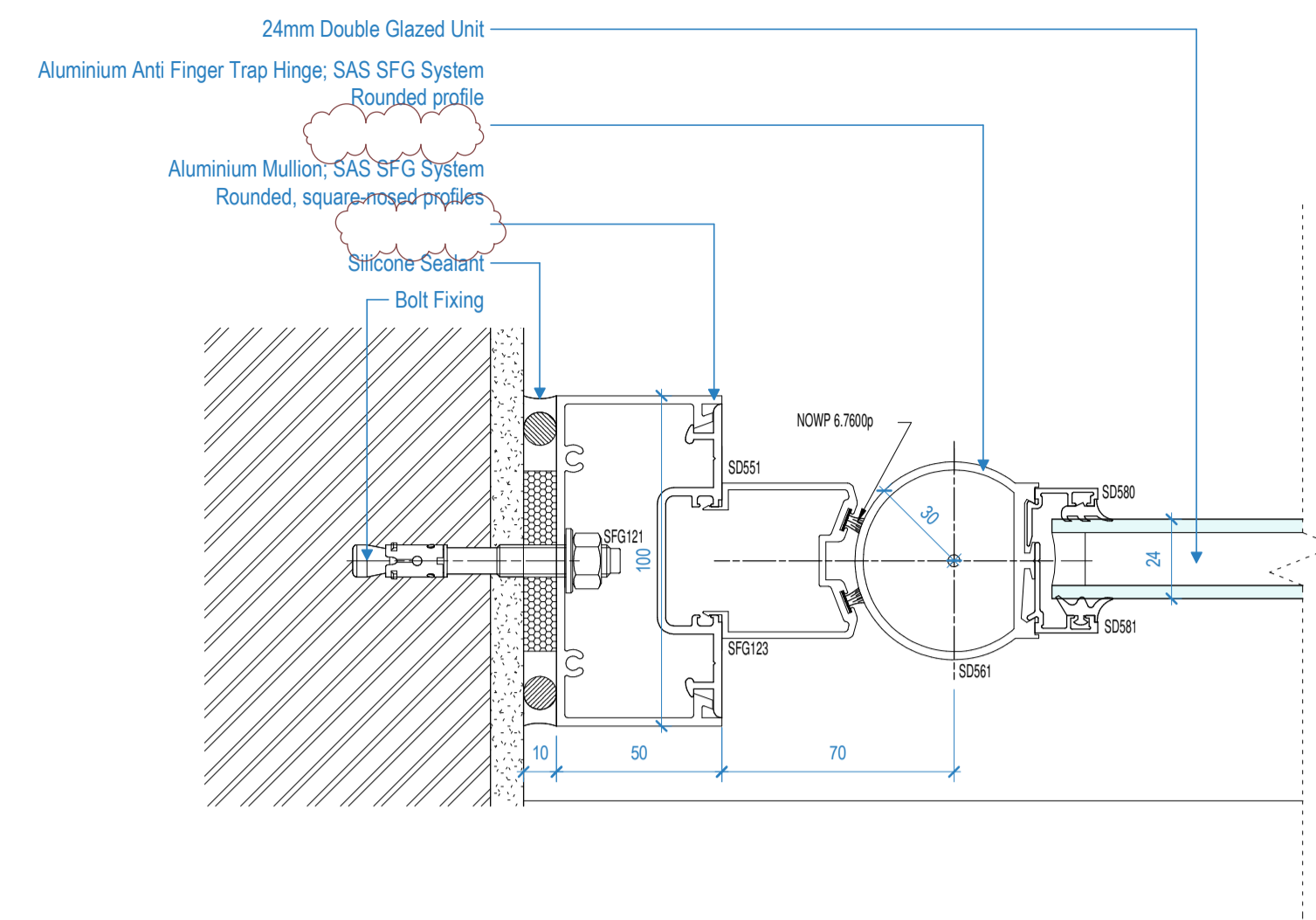
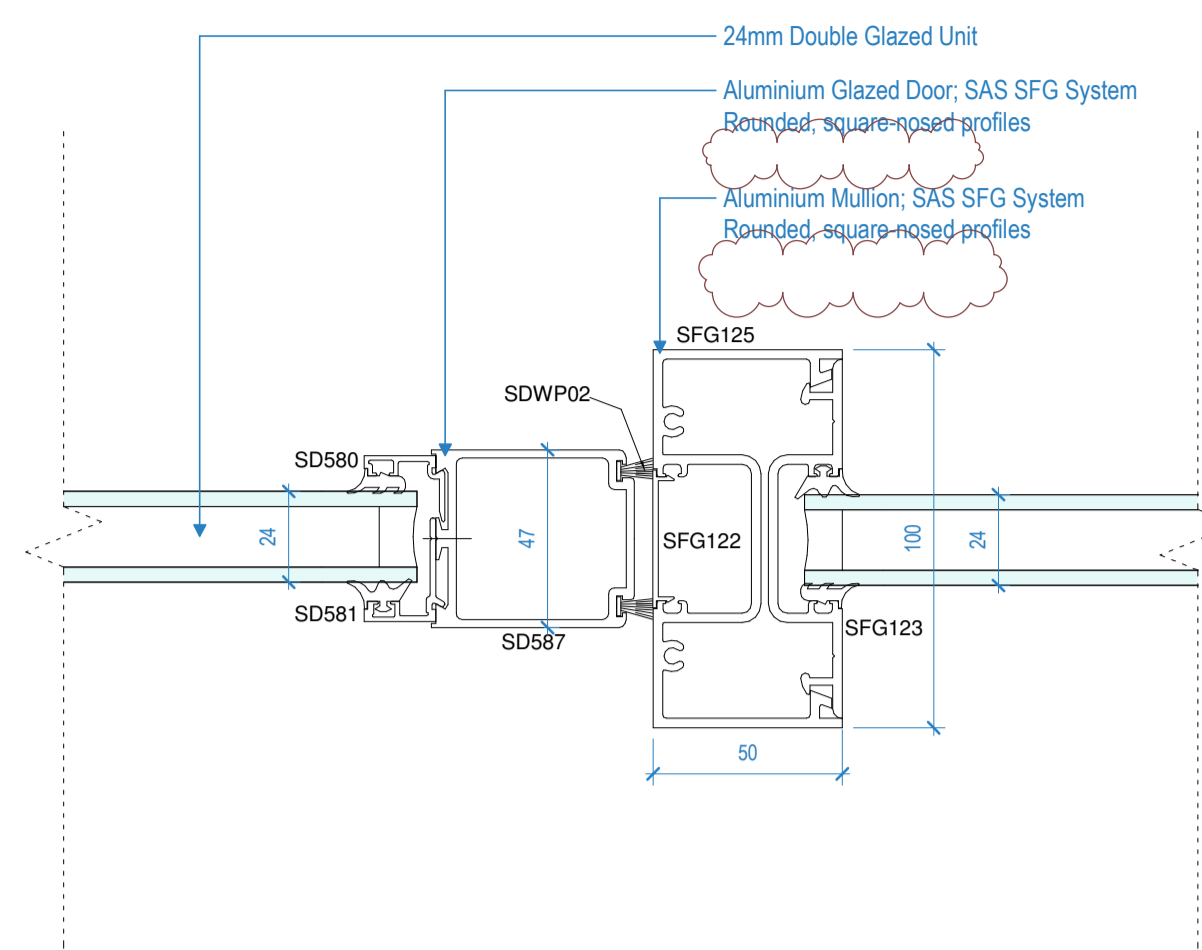


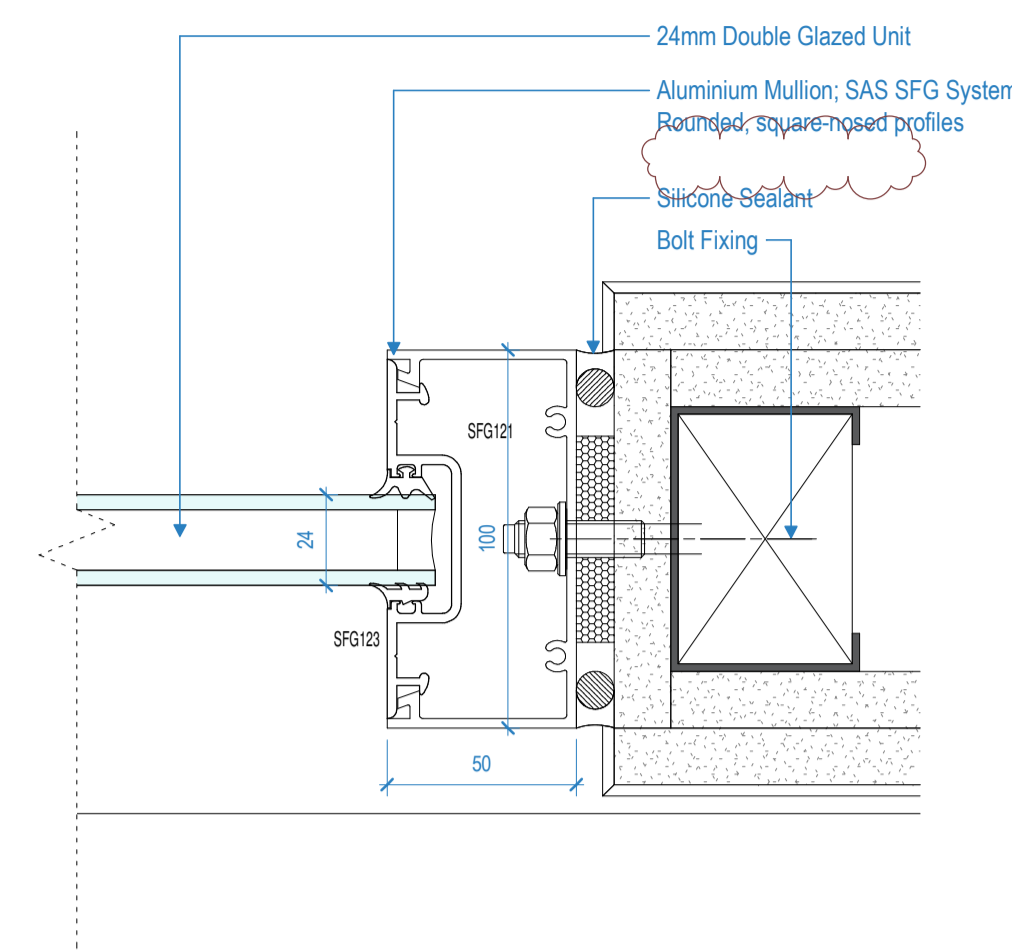
Senior Architectural Solutions SFG Glazing System
Panel partition system (glazed) 25-05-65 / 110



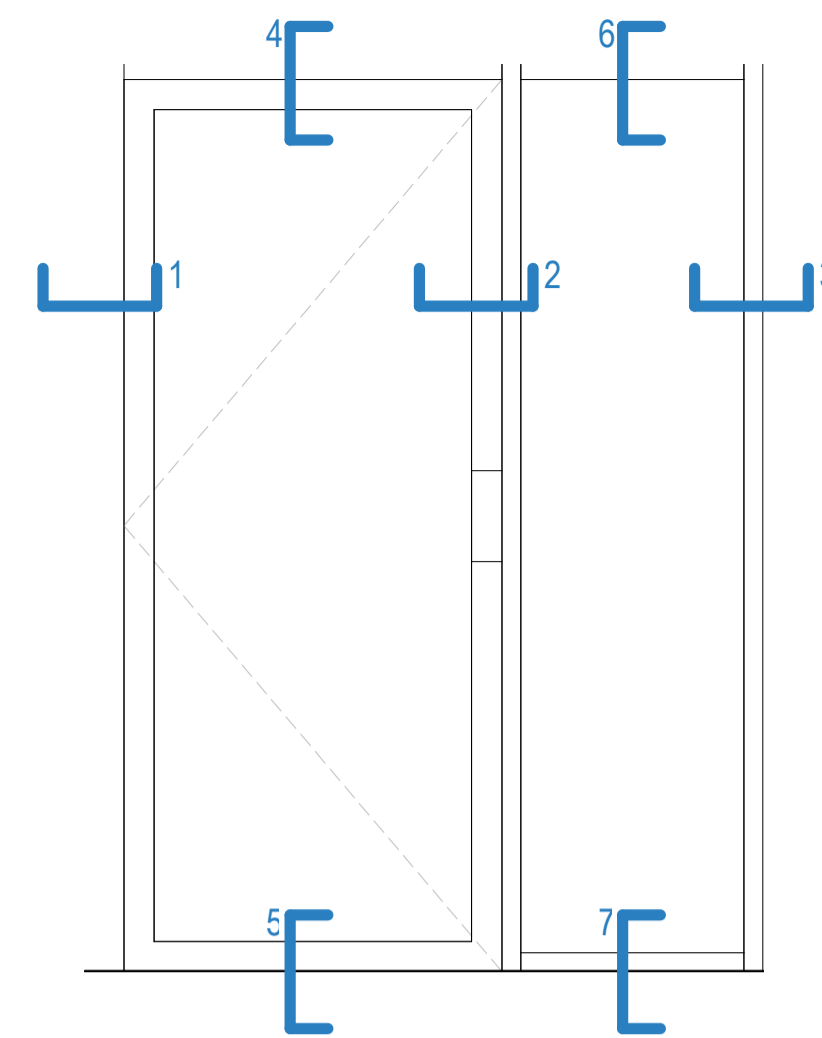
1 Typical Glazed Partitions - Jamb - Door - Anti-Finger Trap
1:2



2 Typical Glazed Partitions - Intermediate Mullion
1:2



3 Typical Glazed Partitions - Jamb - Fixed
1:2



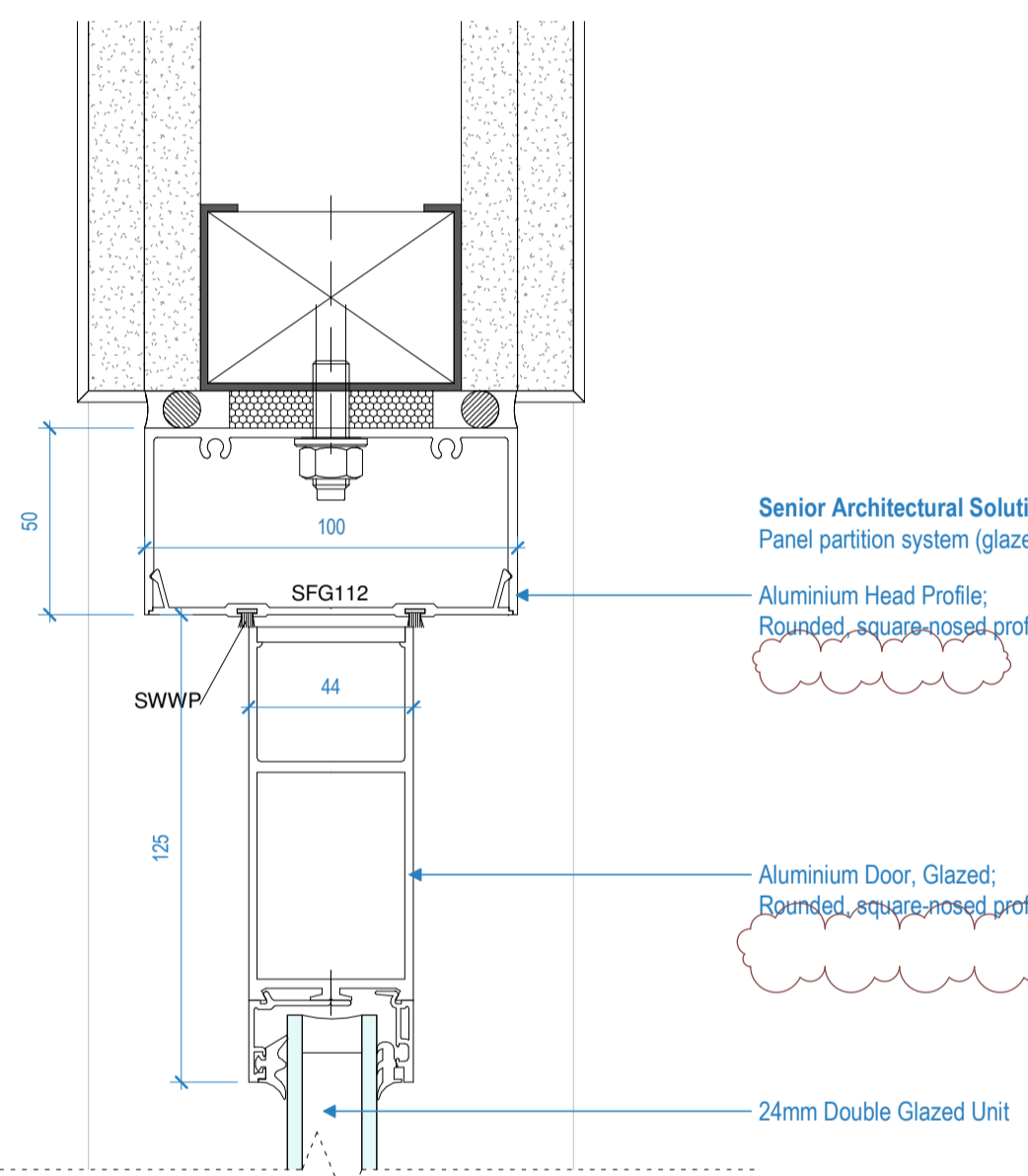
Typical Glazed Partitions
25-05-65 / 110

Notes

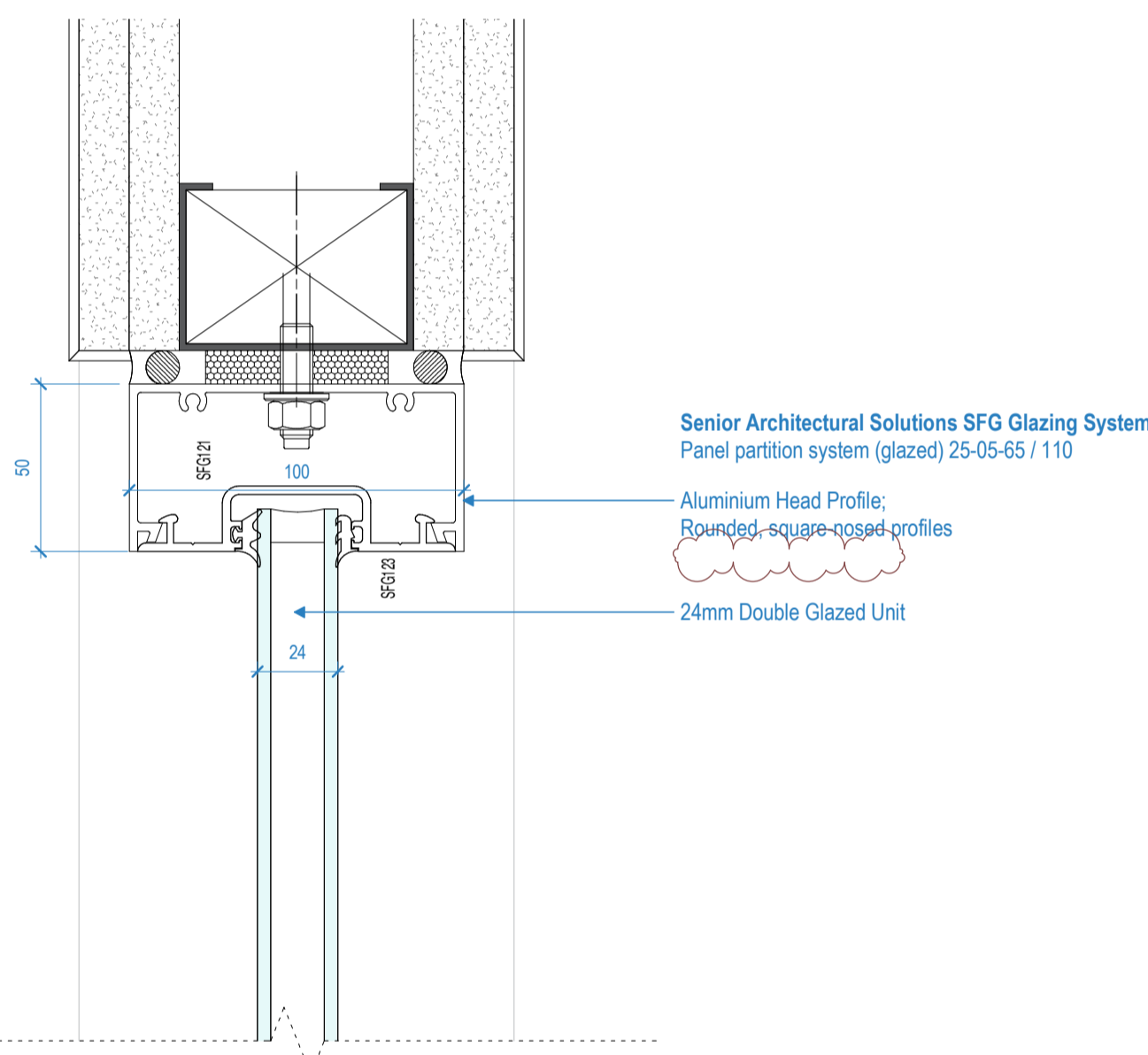
- Refer to 83 series for general notes
- Manifestation design to be signed off by GOSH as part of the RDD finishes review
- Glazed screens and doors to be RAL 7021
- Details shown are for non fire-rated glazed partitions. FD 60 fire rated glazed partitions to match
- Whilst SAS systems are noted, these are to be purchased by Ocula who have now bought SAS. Refer to specification

Glazed Screen Types

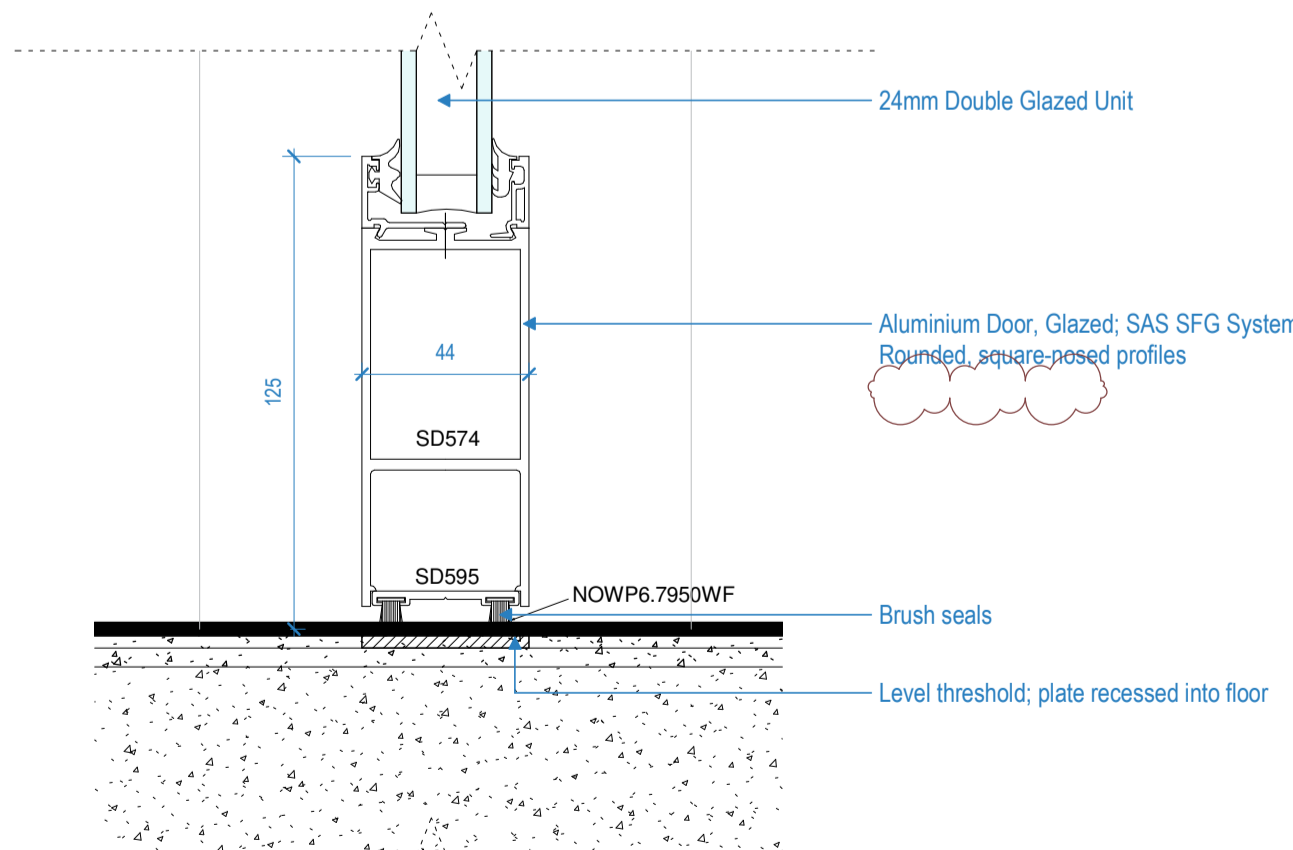
- Type 01 - Non fire rated - powder coated aluminium
- Type 02 - 60 min FR - powder coated steel



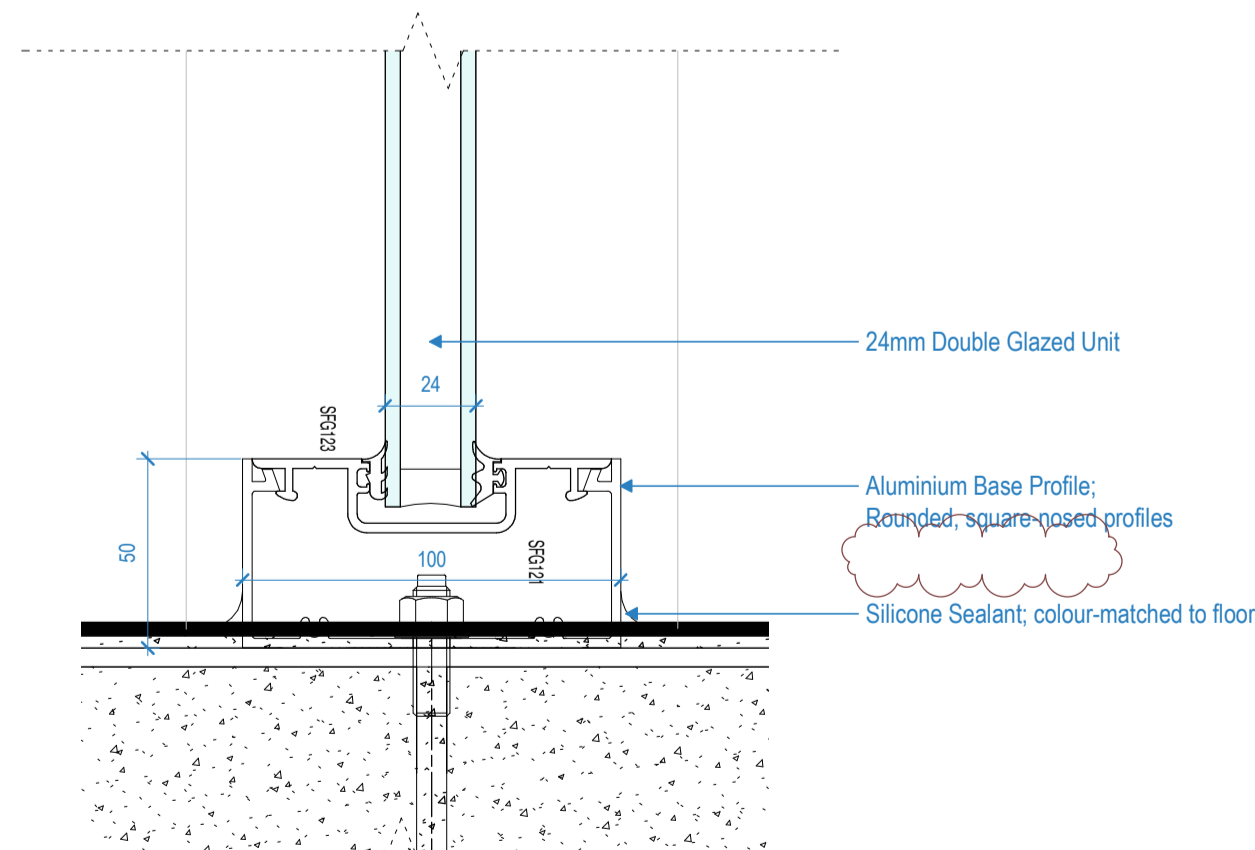
4 Typical Glazed Partitions - Door Head Detail
1:2



6 Typical Glazed Partitions - Head Detail
1:2



5 Typical Glazed Partitions - Door Base Detail
1:2



7 Typical Glazed Partitions - Base Detail
1:2

Rev	Date	Details/ Amended by	Sign
C1	26.10.18	Construction Issue - glazed screens, GRP and stairs / LM / MJF	LM / MJF
A12	25.06.18	REVISED STAGE 4 ISSUE / LM / MJF	LM
A7	07.02.18	STAGE 4 SUBMISSION / LM	AML
P1	27.11.17	Draft Stage 4 Issue / JB	LM

Rev	Date	Details/ Amended by	Sign
-----	------	---------------------	------

sonnemanntoon architects

Quality House
6-9 Quality Court
Chancery Lane
London WC2A 1HP
United Kingdom

tel: +44 (0)20 7580 8881
email: info@st-arch.co.uk
web: www.st-arch.co.uk

© This drawing is copyright

Do not scale this drawing. Architect to be informed of all discrepancies in dimensions. Contractor to check all dimensions on site.

Project title
ITALIAN HOSPITAL

Drawing title
DETAILS: DOORS + GLAZING
Typical Glazed Partitions

Scale Status Revision
1:2 @A1 CONSTR. C1

Drawing number
1615-ST-Q1-XX-DR-A-5360

