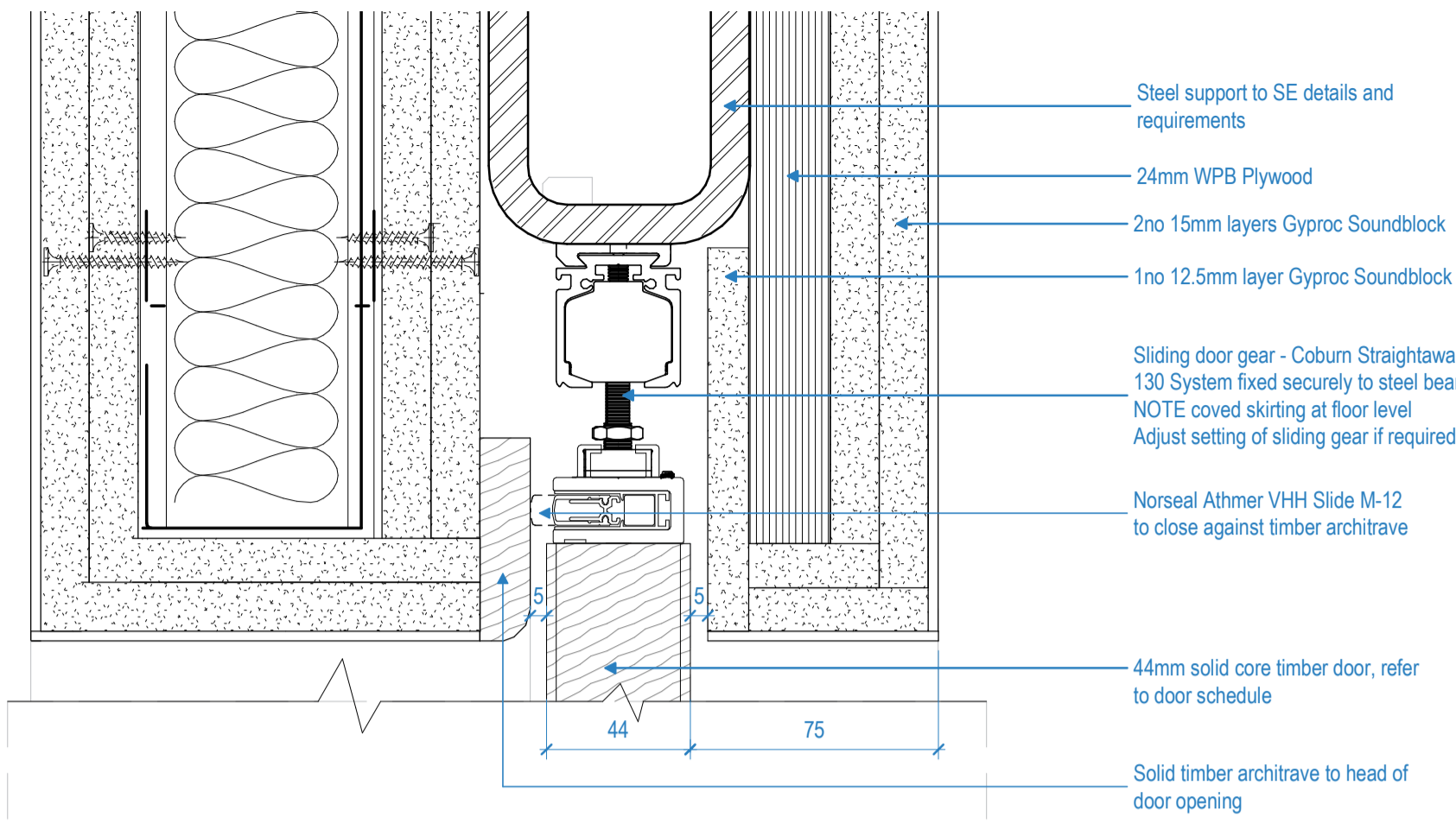
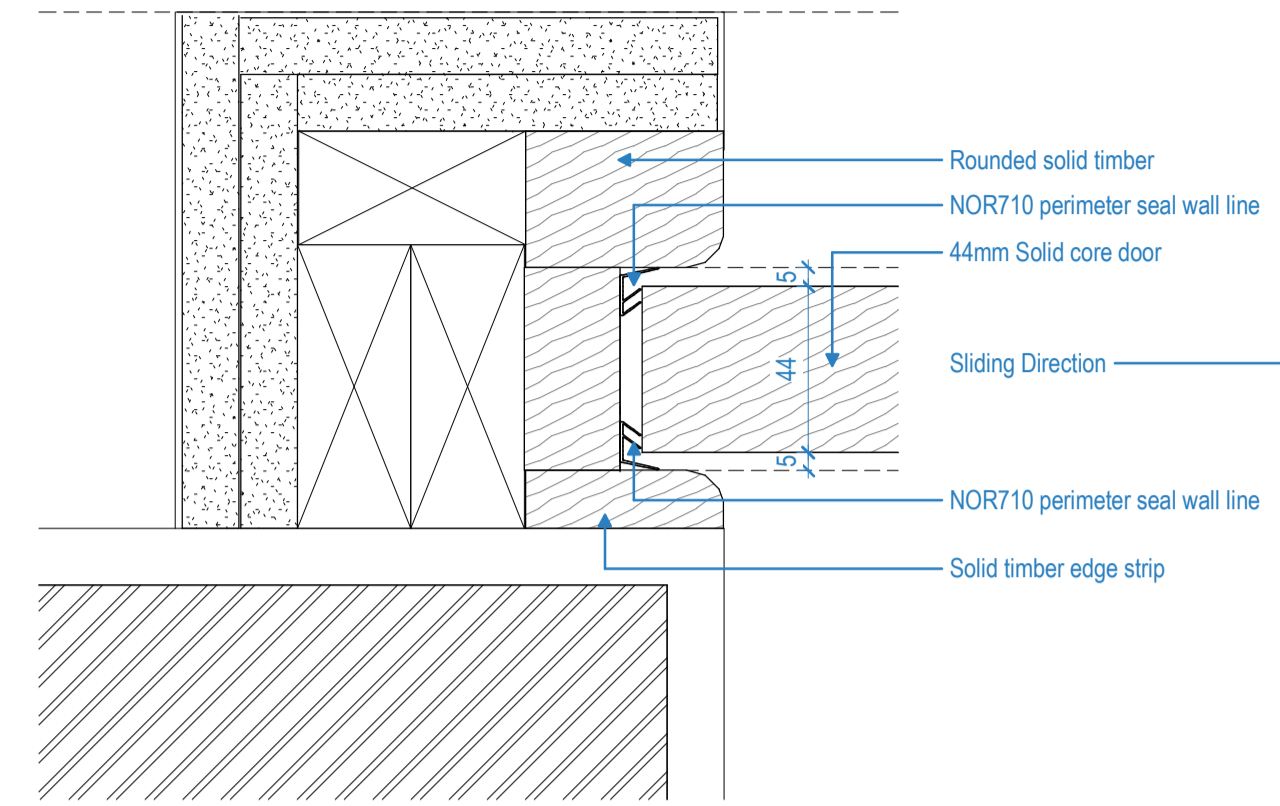


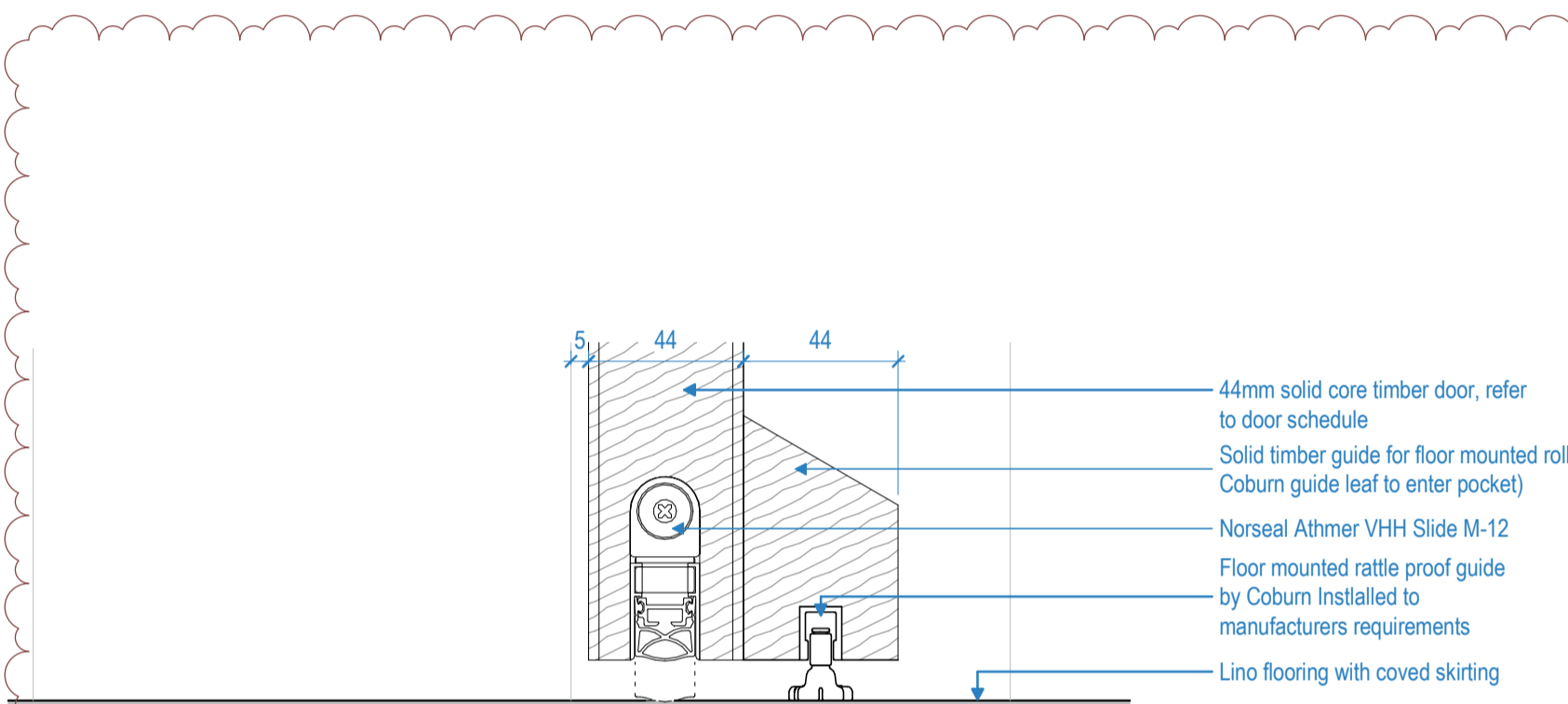
2
5355
DETAIL Section through timber sliding door
1:5



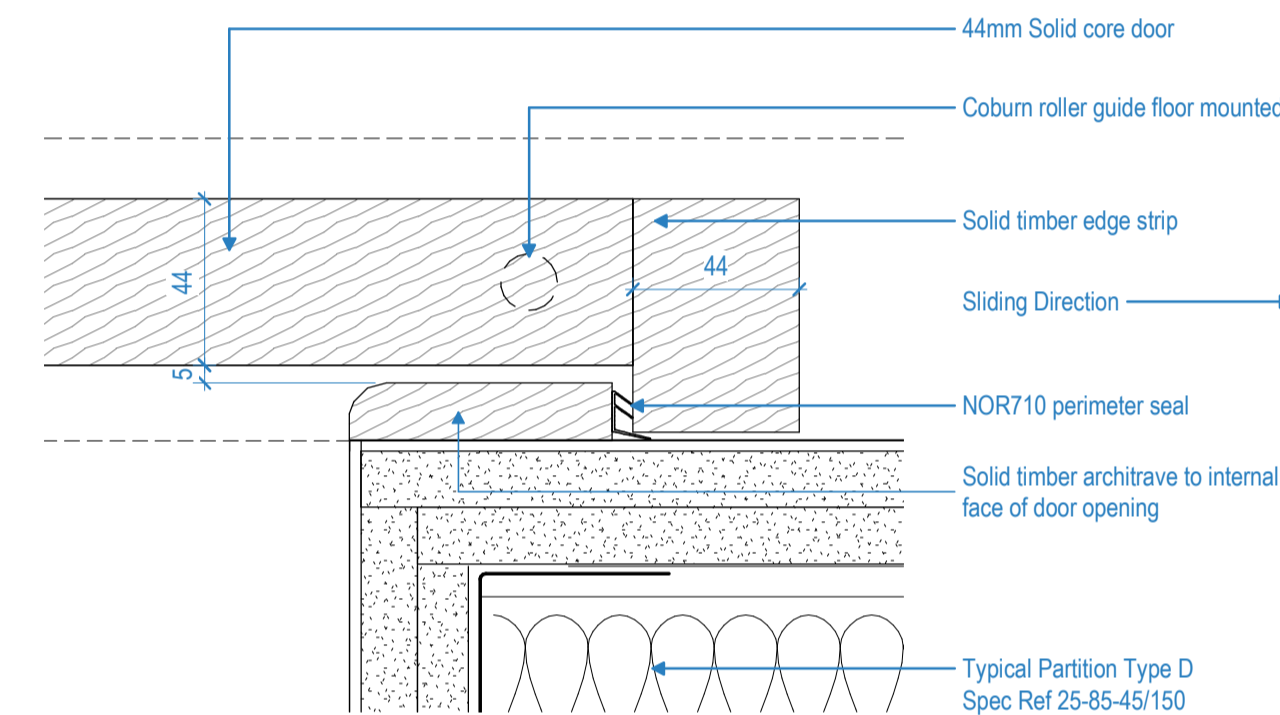
4
5355
Internal Door - Type J - Head Detail
1:2



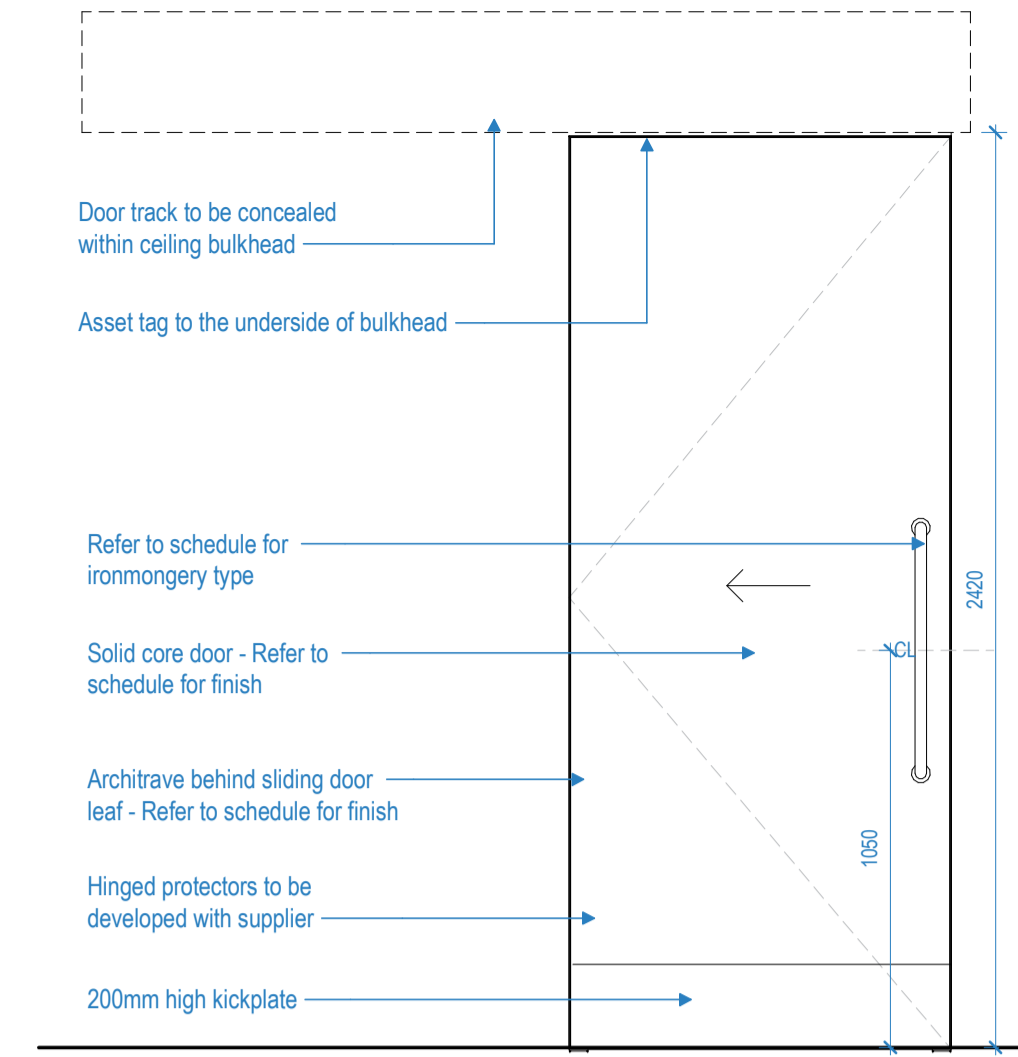
6
5355
Internal Door - Type J - Plan Detail2
1:2



5
5355
Internal Door - Type J - Base Detail
1:2

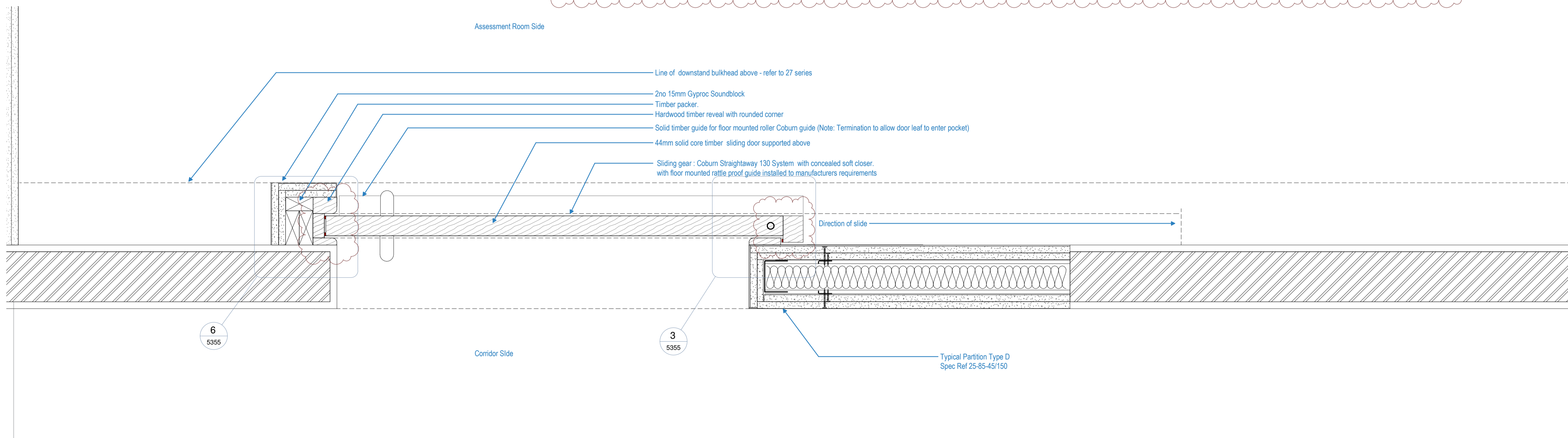


3
5355
Internal Door - Type J - Plan Detail1
1:2



Type J
Internal - Sliding Veneer

Notes
1. Refer to 83 series for general notes



1
5355
DETAIL Plan of Type J timber sliding door
1:5

C2	30.11.18	Construction Issue / LM / MJF	LM / MJF
C1	22.10.18	Construction Issue - Door Package / LM MJF	LM / MJF

Rev	Date	Details/ Amended by	Sign
-----	------	---------------------	------

sonnemanntoon
architects

Quality House
6-9 Quality Court
Chancery Lane
London WC2A 1HP
United Kingdom
tel: +44 (0)20 7580 8881
email: info@st-arch.co.uk
web: www.st-arch.co.uk
© This drawing is copyright

Do not scale this drawing. Architect to be informed of all discrepancies in dimensions. Contractor to check all dimensions on site.

Project title
ITALIAN HOSPITAL

Drawing title
DETAILS: DOORS + GLAZING
Type J - Internal Timber Sliding Doors

Scale	Status	Revision
1:5 @A1	CONSTR.	C2
1:10 @A3		

Drawing number
Drawing number formally 1615-ST-Q1-DR-A-5355
1615-ST-Q1-XX-DR-A-5355