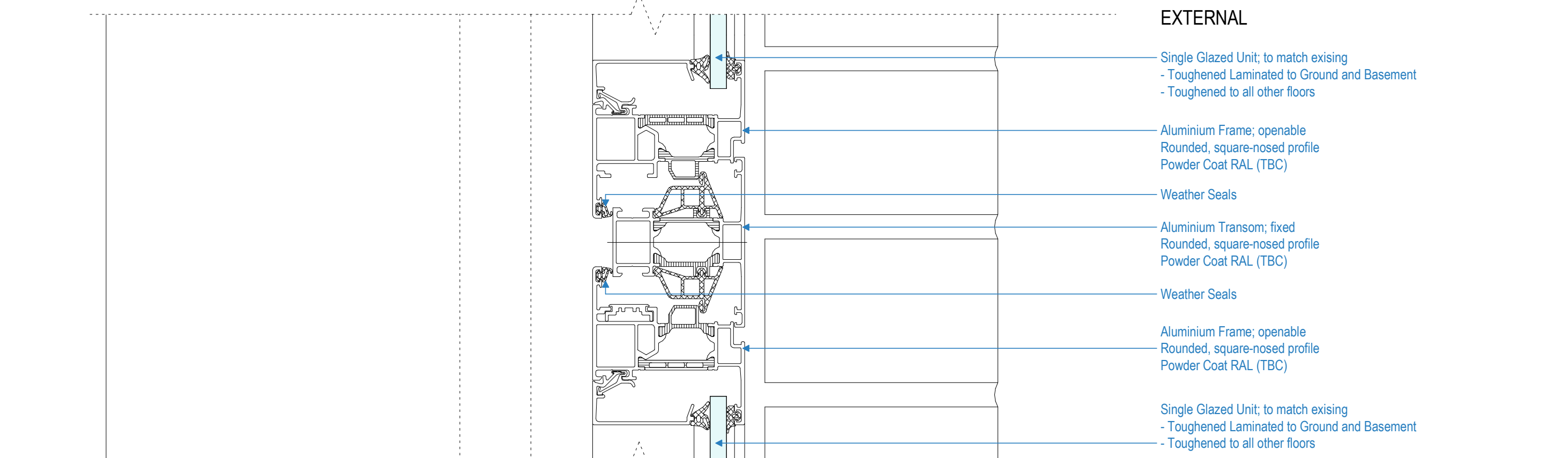


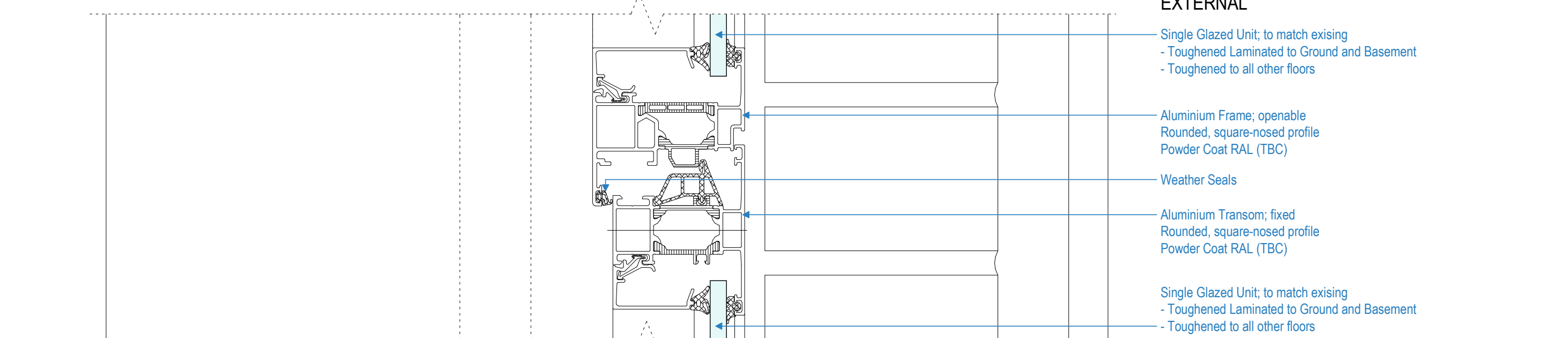
1 Section: Typical Metal Window - Head Detail
1 : 2

- EXTERNAL**
- Gyproc ThermalLine SUPER insulation board Refer to 5450 & 5451
 - Assumed Existing Concrete Lintel
 - Assumed Existing Solid Masonry Wall; Refer to proposed elevations for external repairs and making good
 - New DPC, 45-20-20/305 Bitumen based damp proof courses and/ cavity trays
 - 19mm SW Head Board; Pencil Rounded External Corners To match existing; Refer to record drawings and window schedule 8311
 - Schüco Window System AWS 65 SPEC 25-50-95 / 125**
 - Aluminium Frame; fixed Rounded, square-nosed profile Powder Coat RAL (TBC)
 - Aluminium Frame; openable Rounded, square-nosed profile Powder Coat RAL (TBC)
 - Single Glazed Unit; to match existing - Toughened Laminated to Ground and Basement - Toughened to all other floors



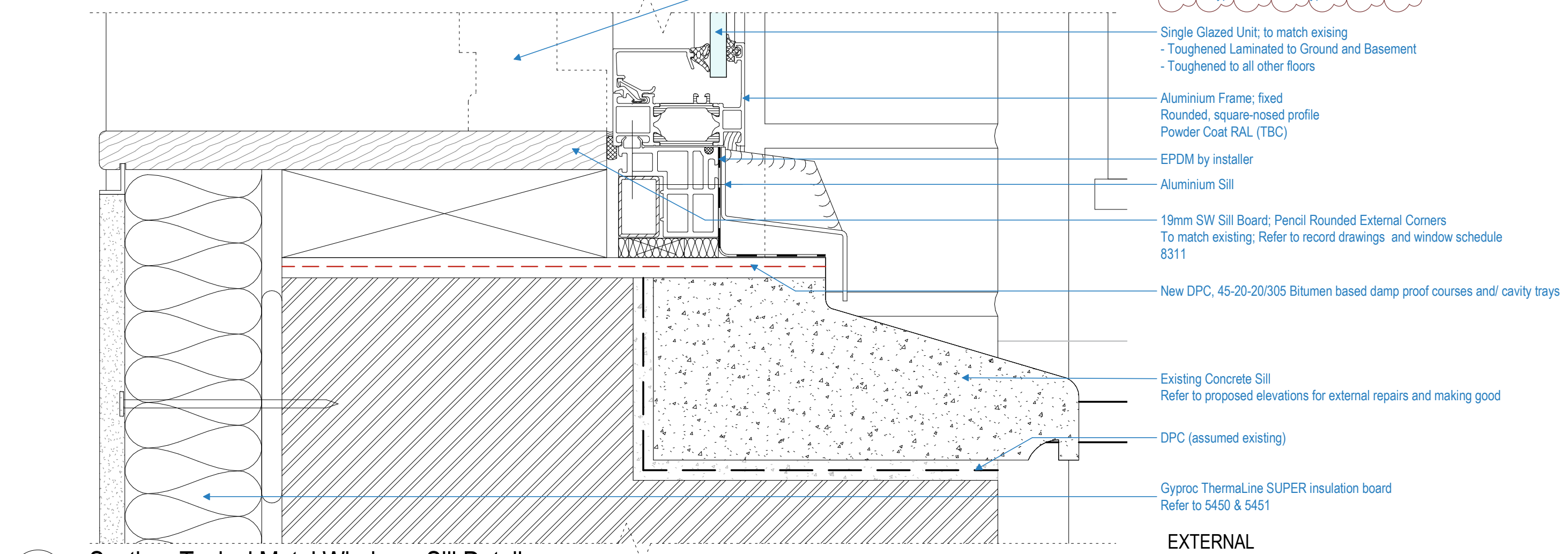
2 Section: Typical Metal Window - Transom Detail - Open-Open
1 : 2

- EXTERNAL**
- Single Glazed Unit; to match existing - Toughened Laminated to Ground and Basement - Toughened to all other floors
 - Aluminium Frame; openable Rounded, square-nosed profile Powder Coat RAL (TBC)
 - Weather Seals
 - Aluminium Transom; fixed Rounded, square-nosed profile Powder Coat RAL (TBC)
 - Weather Seals
 - Aluminium Frame; openable Rounded, square-nosed profile Powder Coat RAL (TBC)
 - Single Glazed Unit; to match existing - Toughened Laminated to Ground and Basement - Toughened to all other floors



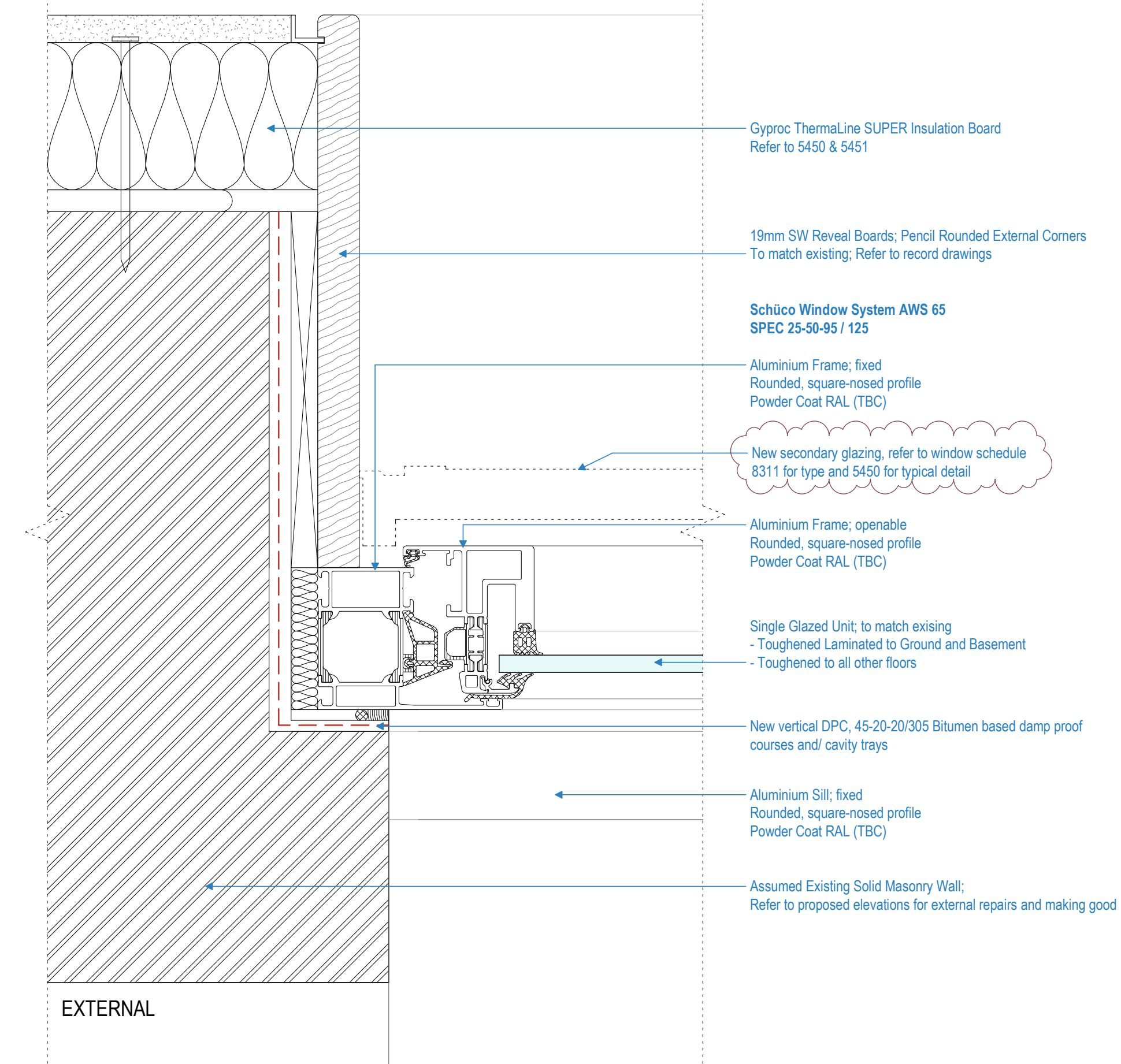
3 Section: Typical Metal Window - Transom Detail - Open-Fixed
1 : 2

- EXTERNAL**
- Single Glazed Unit; to match existing - Toughened Laminated to Ground and Basement - Toughened to all other floors
 - Aluminium Frame; openable Rounded, square-nosed profile Powder Coat RAL (TBC)
 - Weather Seals
 - Aluminium Transom; fixed Rounded, square-nosed profile Powder Coat RAL (TBC)
 - Single Glazed Unit; to match existing - Toughened Laminated to Ground and Basement - Toughened to all other floors



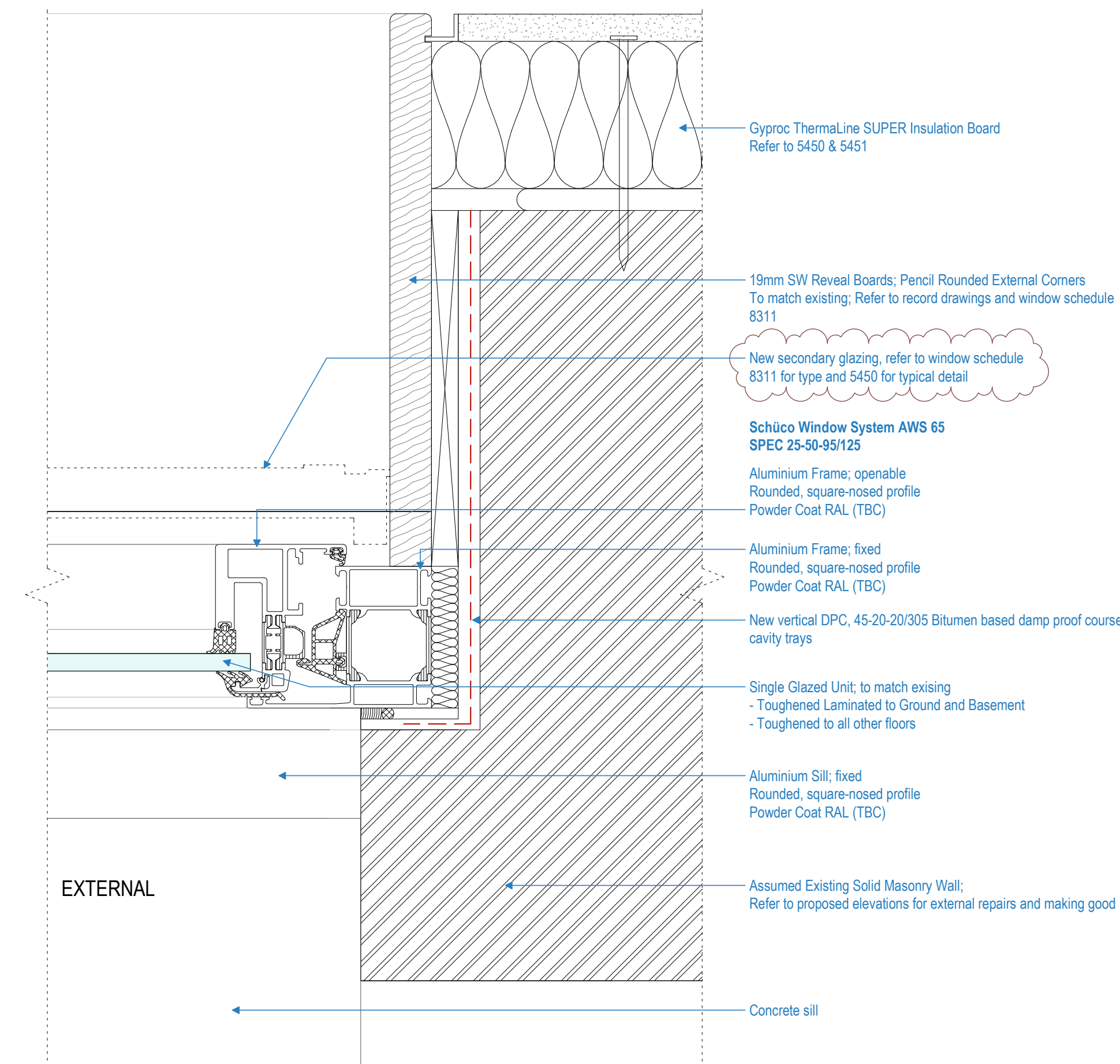
4 Section: Typical Metal Window - Sill Detail
1 : 2

- EXTERNAL**
- New secondary glazing, refer to window schedule 8311 for type and 5450 for typical detail
 - Single Glazed Unit; to match existing - Toughened Laminated to Ground and Basement - Toughened to all other floors
 - Aluminium Frame; fixed Rounded, square-nosed profile Powder Coat RAL (TBC)
 - EPDM by installer
 - Aluminium Sill
 - 19mm SW Sill Board; Pencil Rounded External Corners To match existing; Refer to record drawings and window schedule 8311
 - New DPC, 45-20-20/305 Bitumen based damp proof courses and/ cavity trays
 - Existing Concrete Sill Refer to proposed elevations for external repairs and making good
 - DPC (assumed existing)
 - Gyproc ThermalLine SUPER insulation board Refer to 5450 & 5451



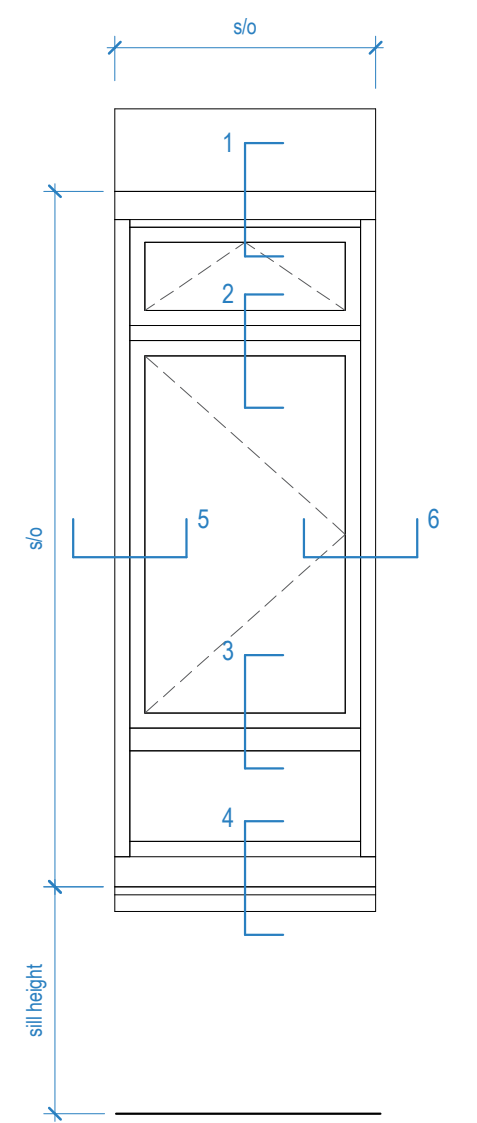
5 Plan: Typical Metal Window - Jamb Detail (left)
1 : 2

- EXTERNAL**
- Gyproc ThermalLine SUPER Insulation Board Refer to 5450 & 5451
 - 19mm SW Reveal Boards; Pencil Rounded External Corners To match existing; Refer to record drawings
 - Schüco Window System AWS 65 SPEC 25-50-95 / 125**
 - Aluminium Frame; fixed Rounded, square-nosed profile Powder Coat RAL (TBC)
 - New secondary glazing, refer to window schedule 8311 for type and 5450 for typical detail
 - Aluminium Frame; openable Rounded, square-nosed profile Powder Coat RAL (TBC)
 - Single Glazed Unit; to match existing - Toughened Laminated to Ground and Basement - Toughened to all other floors
 - New vertical DPC, 45-20-20/305 Bitumen based damp proof courses and/ cavity trays
 - Aluminium Sill; fixed Rounded, square-nosed profile Powder Coat RAL (TBC)
 - Assumed Existing Solid Masonry Wall; Refer to proposed elevations for external repairs and making good



6 Plan: Typical Metal Window - Jamb Detail (right)
1 : 2

- EXTERNAL**
- Gyproc ThermalLine SUPER Insulation Board Refer to 5450 & 5451
 - 19mm SW Reveal Boards; Pencil Rounded External Corners To match existing; Refer to record drawings and window schedule 8311
 - New secondary glazing, refer to window schedule 8311 for type and 5450 for typical detail
 - Schüco Window System AWS 65 SPEC 25-50-95/125**
 - Aluminium Frame; openable Rounded, square-nosed profile Powder Coat RAL (TBC)
 - Aluminium Frame; fixed Rounded, square-nosed profile Powder Coat RAL (TBC)
 - New vertical DPC, 45-20-20/305 Bitumen based damp proof courses and/ cavity trays
 - Single Glazed Unit; to match existing - Toughened Laminated to Ground and Basement - Toughened to all other floors
 - Aluminium Sill; fixed Rounded, square-nosed profile Powder Coat RAL (TBC)
 - Assumed Existing Solid Masonry Wall; Refer to proposed elevations for external repairs and making good
 - Concrete sill



Typical Metal Framed Windows
New to match existing
Spec ref: 25-50-95 / 125

- Notes:**
- For approximate structural openings, see glazing schedule 8311-8313.
 - Final measurements to be taken by manufacturer on site prior to manufacture.
 - Glazing in critical locations to be safety glazing to comply with Building Regs Part K. Refer to Window Schedules Sheet 8311-8313 for window ironmongery types and all repairs required to existing. Detail drawings and samples of materials as appropriate to be submitted to and approved in writing by the LPA (Condition 4b) before work is begun.

Rev	Date	Details/ Amended by	Sign
C1	10.08.18	First Construction Issue /MJF/LM	LM
A12	25.06.18	REVISED STAGE 4 ISSUE /LM / MJF	LM
A7	07.02.18	STAGE 4 SUBMISSION/ LM	AML
P1	27.11.17	Draft Stage 4 Issue / JB	LM

sonnemanntoon architects

Quality House
6-9 Quality Court
Chancery Lane
London WC2A 1HP
United Kingdom

tel: +44 (0)20 7580 8881
email: info@st-arch.co.uk
web: www.st-arch.co.uk

© This drawing is copyright

Do not scale this drawing. Architect to be informed of all discrepancies in dimensions. Contractor to check all dimensions on site.

Project title
ITALIAN HOSPITAL

Drawing title
DETAILS: WINDOWS
Typical New Metal Framed Windows

Scale Status Revision
1:2 @A1 CONSTR. C1

Drawing number
1615-ST-Q1-XX-DR-A-5321

