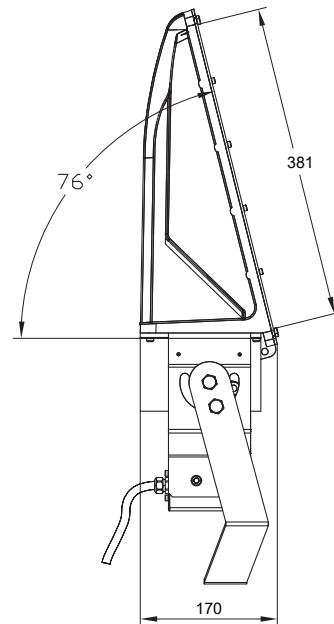
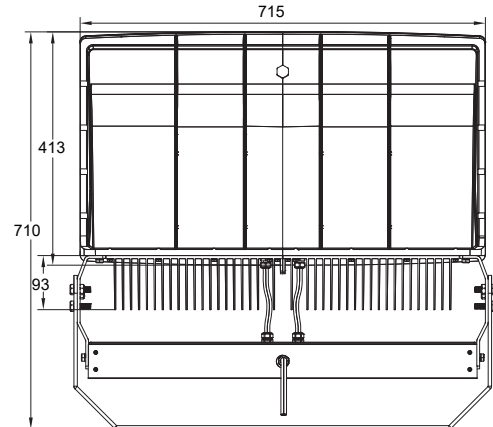
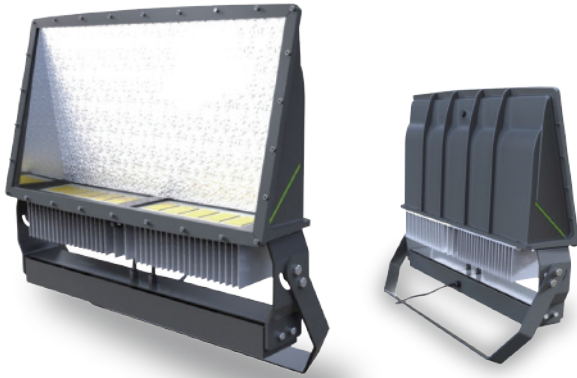


# Direct Sports Lighting

Catalog #:	Type:
Project:	Date:
Comments:	
Prepared by:	

www.directsportslighting.co.uk



## LED HIGH MAST FLOOD LIGHT

System Wattage

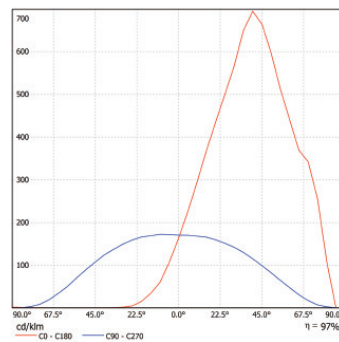
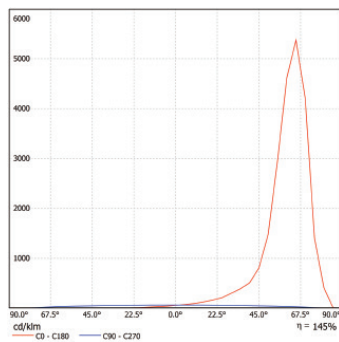
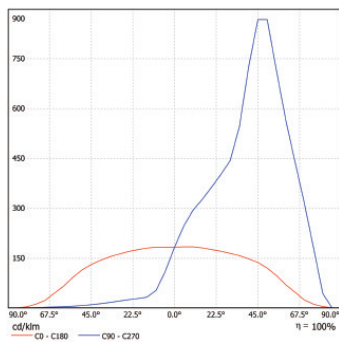
300W 400W 500W  
600W 800W

Model Number

ST-LHM-300N ST-LHM-400N  
ST-LHM-500N ST-LHM-600N  
ST-LHM-800N



## Light Distribution Curve



# Direct Sports Lighting

www.directsportslighting.co.uk

## Description

Shineto LED high mast area flood light is the ideal solution for outdoor sports field lighting, airport, sea port, highway, railyard, ship dock, container and ferry terminals, prison etc with asymmetric indirect anti-glare designed. This luminaire delivers maintenance-free, professional area flood lighting with a great return on investment.

## Specification Features

### Optics

Asymmetric distribution uniquely designed to reduce glare and control lighting overflow with the use of indirect LED lighting technology

### Reflection

Reflection is achieved by using a 98% reflective concave PVD technology aluminum reflector This V series reflector we use is the latest PVD technology of metal surface in the market

### Efficiency

This Class 1 fixture with 130lm/W high efficiency helps to using less power.

### Housing

The slim, low profile design minimizes wind load and uses easily adjustable arm mount.

### Mounting

Various types and sizes adapters allow for further mounting ability and adjustable up to 180 degree,safety strip ensures to secure installation.

### SPD

Standard 10kV SPD essential protection in the event of excessive surge voltages due to lighting, optional 20Kv.

### Maintenance

Easy with external driver design

### Retrofit

300-800W capable of delivering equivalent listing output of 750-1500W Metal Halide Fixtures.

### Electric System

Class 1 ,50/60HZ, Total Harmornic Distortion:<20%, Power Factor:>0.9.

### Warranty

7 years warranty.

## Sample Order Number: ST-LHM-300N

BRAND	PRODUCTS	WATTS	SIZE
ST=Shineto	LHM=LED HIGH MAST	300=300W 400=400W 500=500W 600=600W 800=800W	N=Normal

## Technical And Performance Data

MODEL NUMBER	ST-LHM300N	ST-LHM400N	ST-LHM500N	ST-LHM600N	ST-LHM800N
LED LIGHT SOURCE	Nichia	Nichia	Nichia	Nichia	Nichia
DRIVER	Meanwell driver	Meanwell driver	Meanwell driver	Meanwell driver	Meanwell driver
LUMEN OUTPUT@5000K	37,493LM	48,206LM	63,249LM	72,094LM	104,000LM
SYSTEM WATTAGE	300W	400W	500W	600W	800W
LPW	125LM/W	121LM/W	127LM/W	120LM/W	130LM/W
CRI	70/80RA	70/80RA	70/80RA	70/80RA	70/80RA
INPUT VOLTAGE (LOW VOLTAGE TYPICAL)	90-305V	90-305V	90-305V	90-305V	90-305V
INPUT VOLTAGE (HIGH VOLTAGE OPTIONAL)	180-528V	180-528V	180-528V	180-528V	180-528V
OPERATING TEMPERATURE	-40°C to 70°C	-40°C to 70°C	-40°C to 70°C	-40°C to 70°C	-40°C to 70°C
IP RATING	IP 65	IP 65	IP 65	IP 65	IP 65
SURGE PROTECTOR	10KV	10KV	10KV	10KV	10KV
LIFE TIME	50,000 hours	50,000 hours	50,000 hours	50,000 hours	50,000 hours
CCT	2,700K-7,000K	2,700K-7,000K	2,700K-7,000K	2,700K-7,000K	2,700K-7,000K
WEIGHT	31.75KG	32.25KG	32.40KG	32.20KG	35.15KG

# Direct Sports Lighting

www.directsportslighting.co.uk

## Optional Accessories



Connection Box IP66



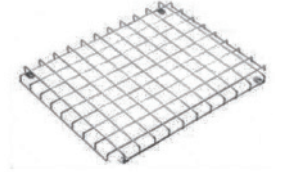
Asymmetrical Louvre



Asymmetrical Cover



Wire Connector



Protective Grid

This product or selected versions of this product meet the standards listed below. Please consult factory for your specific requirements.

