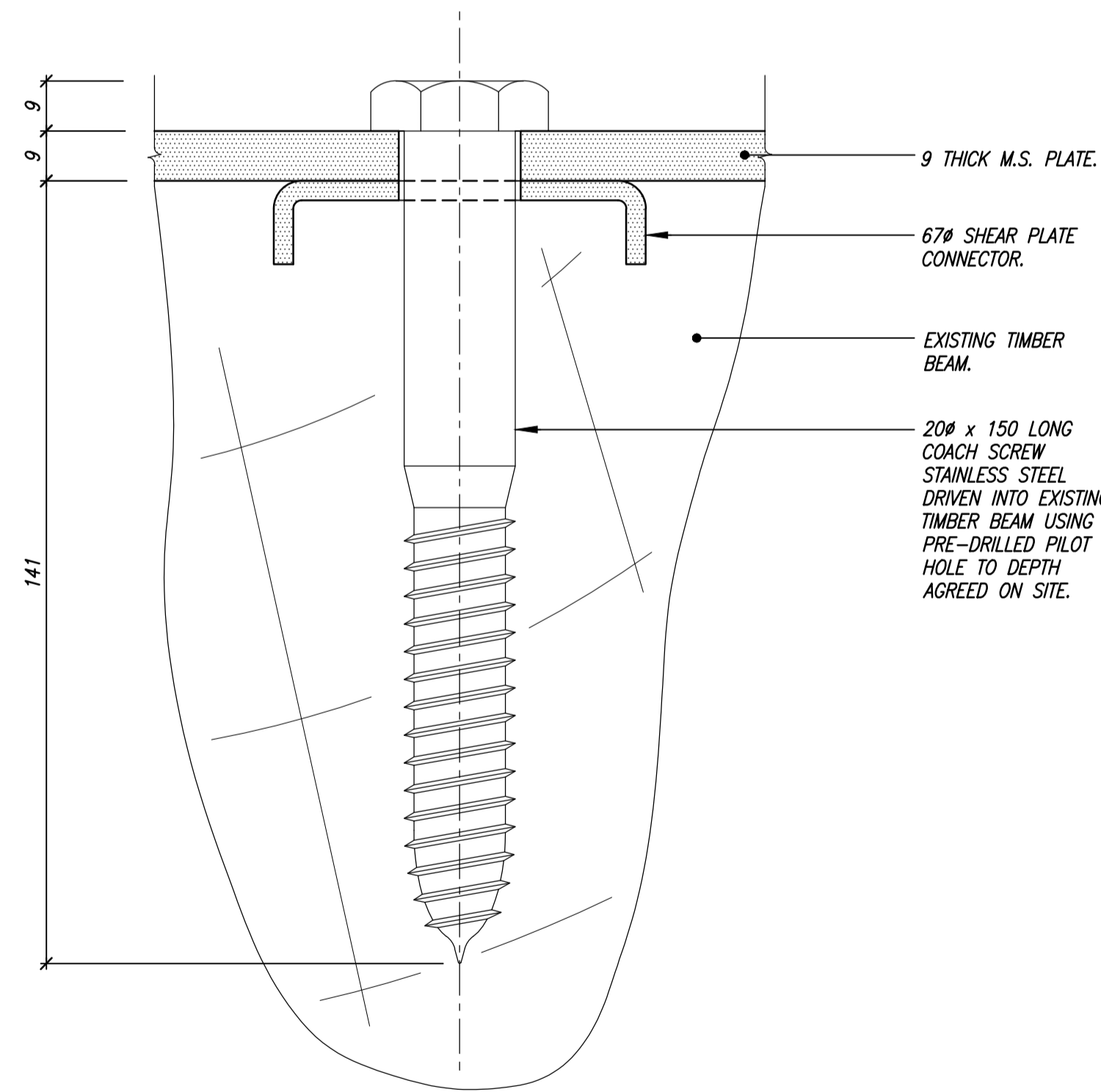
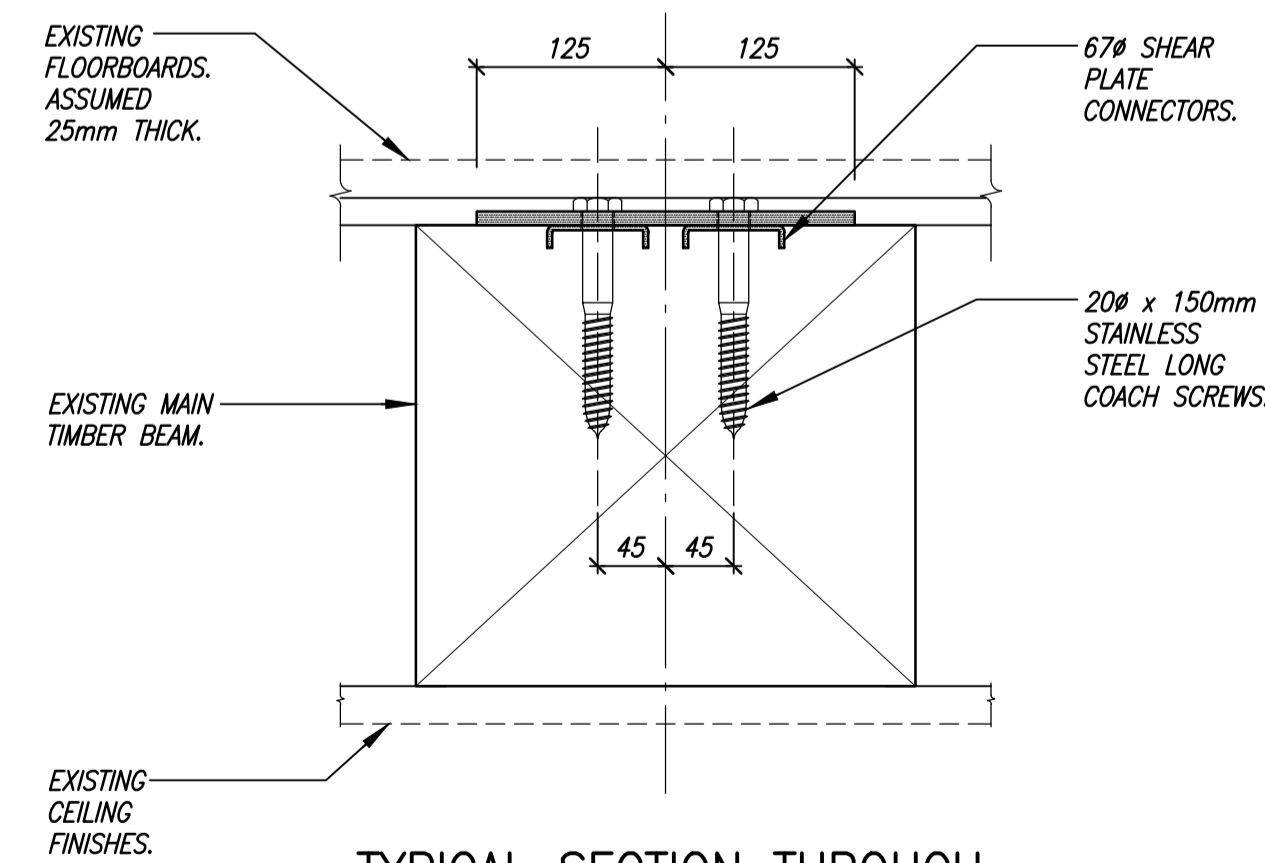


NOTE: REFER TO DRAWING C1756/702/89 FOR STIFFENING BEAM PROCEDURE.

DETAIL 1 (1:20)
(PLAN ON TYPICAL MAIN BEAM.)



DETAIL OF COACH SCREW FIXING, (1:1)



TYPICAL SECTION THROUGH MAIN BEAM, (1:5)

- notes
1. THIS DRAWING IS TO BE READ IN CONJUNCTION WITH ALL RELEVANT ARCHITECT'S AND ENGINEER'S DRAWINGS AND THE SPECIFICATION.
 2. FOR FURTHER GENERAL NOTES REFER TO DRAWING No. 1756/702/099
 3. FOR LOCATION OF DETAILS REFER TO GENERAL ARRANGEMENT DRAWINGS.

NOT FOR CONSTRUCTION

–	24.08.18	ISSUED FOR TENDER.	LK
job			
BRITISH MUSEUM PERIMETER PROPERTIES, WC1			
title			
TIMBER BEAM STIFFENING			
drawn	checked		
RG	LK		
date	scale (original - A1)		
AUG '18	AS SHOWN		

Alan Baxter

75 Cowcross Street London EC1M 6EL
tel 020 7250 1555
email aba@alanbaxter.co.uk
www.alanbaxter.co.uk

drg. no.	rev.
C1756/702/097	