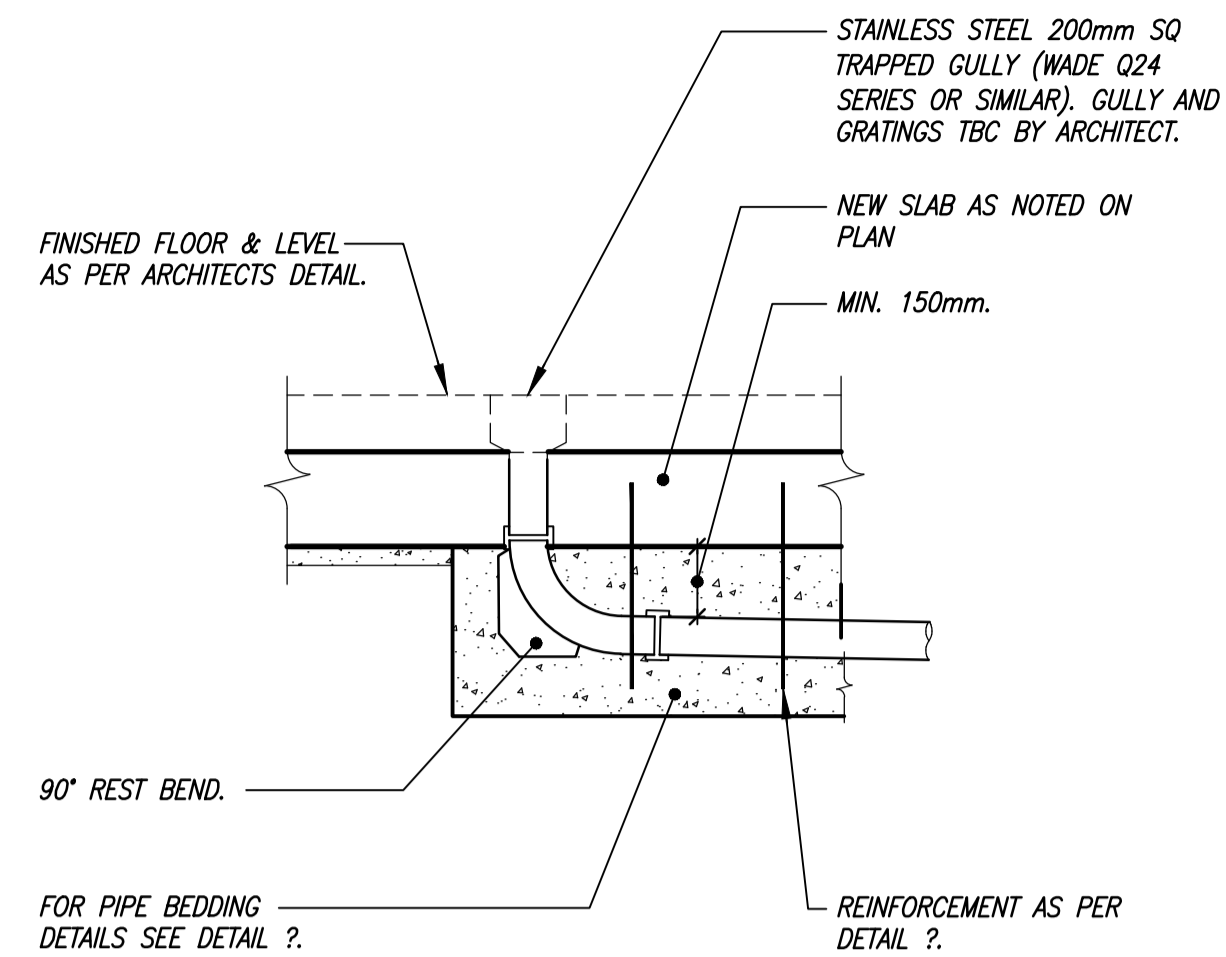
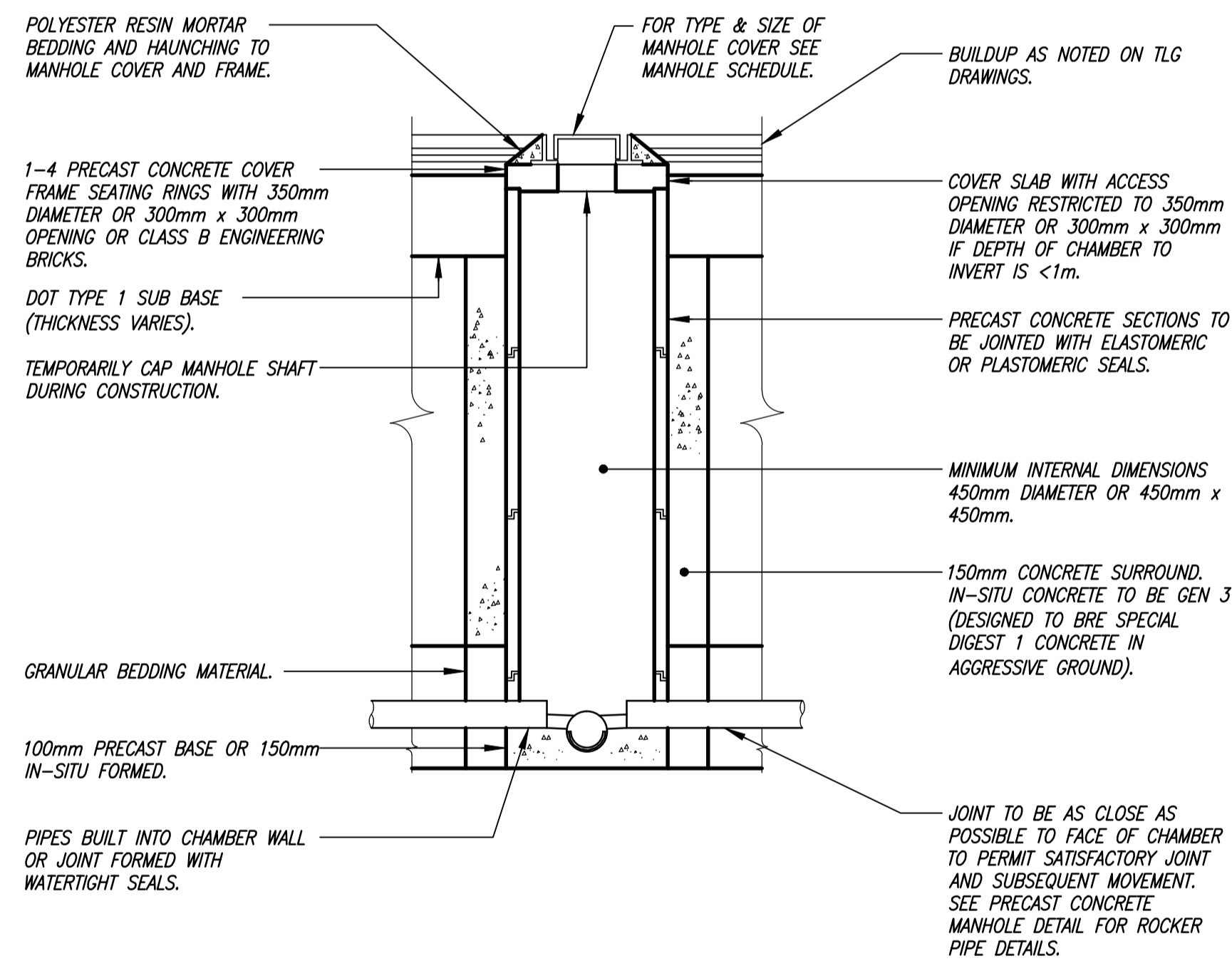


DETAIL 1
TYPICAL PIPE BEDDING DETAIL FOR INTERNAL PIPEWORK



DETAIL 2
INTERNAL GULLY



DETAIL 3
TYPICAL CHAMBER DETAIL

notes
1. THIS DRAWING IS TO BE READ IN CONJUNCTION WITH ALL RELEVANT ARCHITECT'S AND ENGINEER'S DRAWINGS AND THE SPECIFICATION.

NOT FOR CONSTRUCTION

24.08.18 ISSUED FOR TENDER. LK

job
**BRITISH MUSEUM
38 RUSSEL SQUARE
WC1**

title
TYPICAL DRAINAGE DETAILS

drawn checked
RG LK
date scale (original - A1)
AUG' 18 1:20

Alan Baxter

75 Cowcross Street London EC1M 6EL
tel 020 7250 1555
email aba@alanbaxter.co.uk

www.alanbaxter.co.uk

drg. no. rev.
C1756/702/88