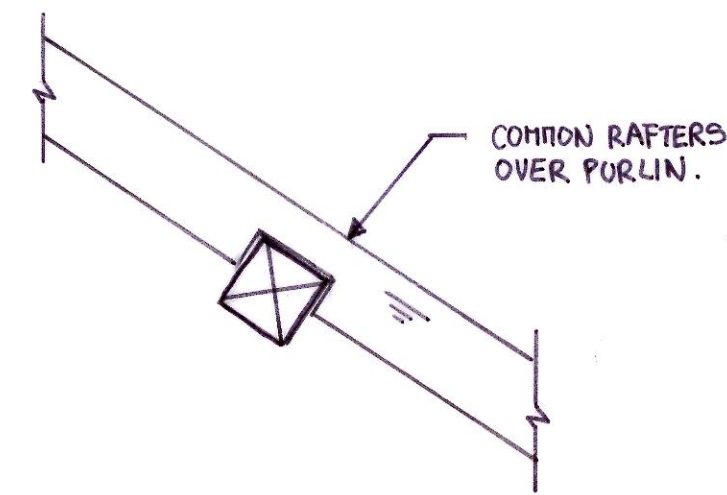
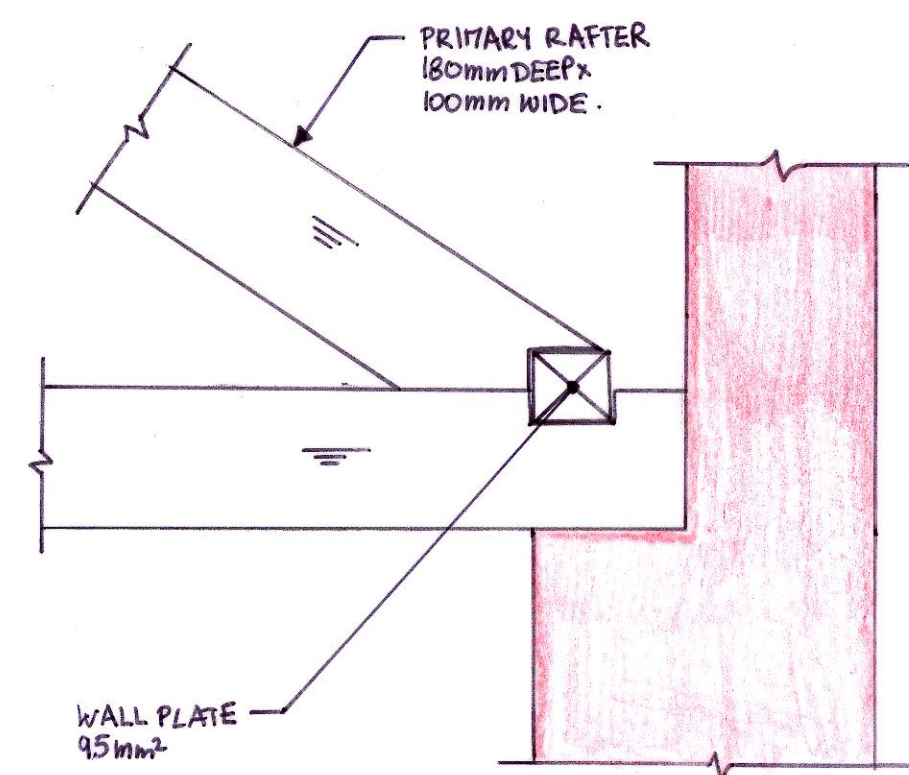


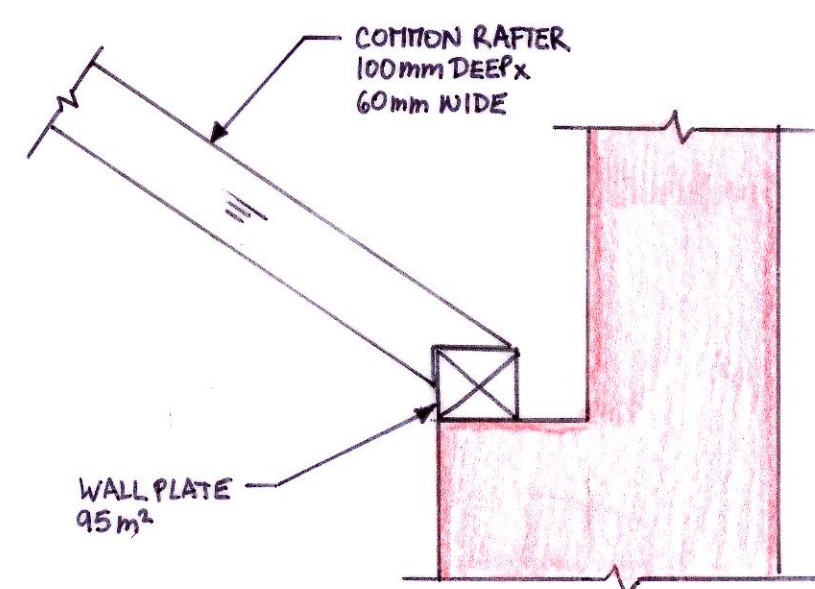
**DETAIL 1-1**  
(1:10)



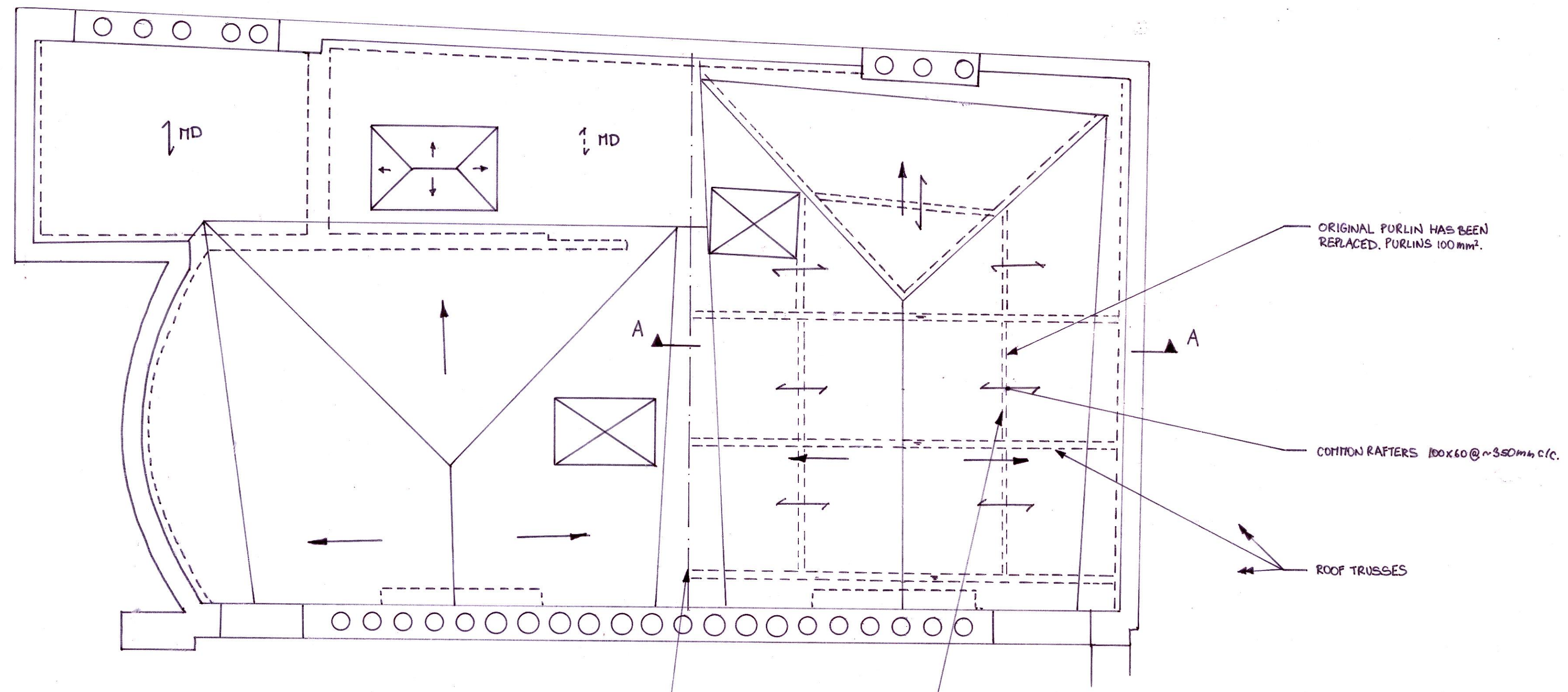
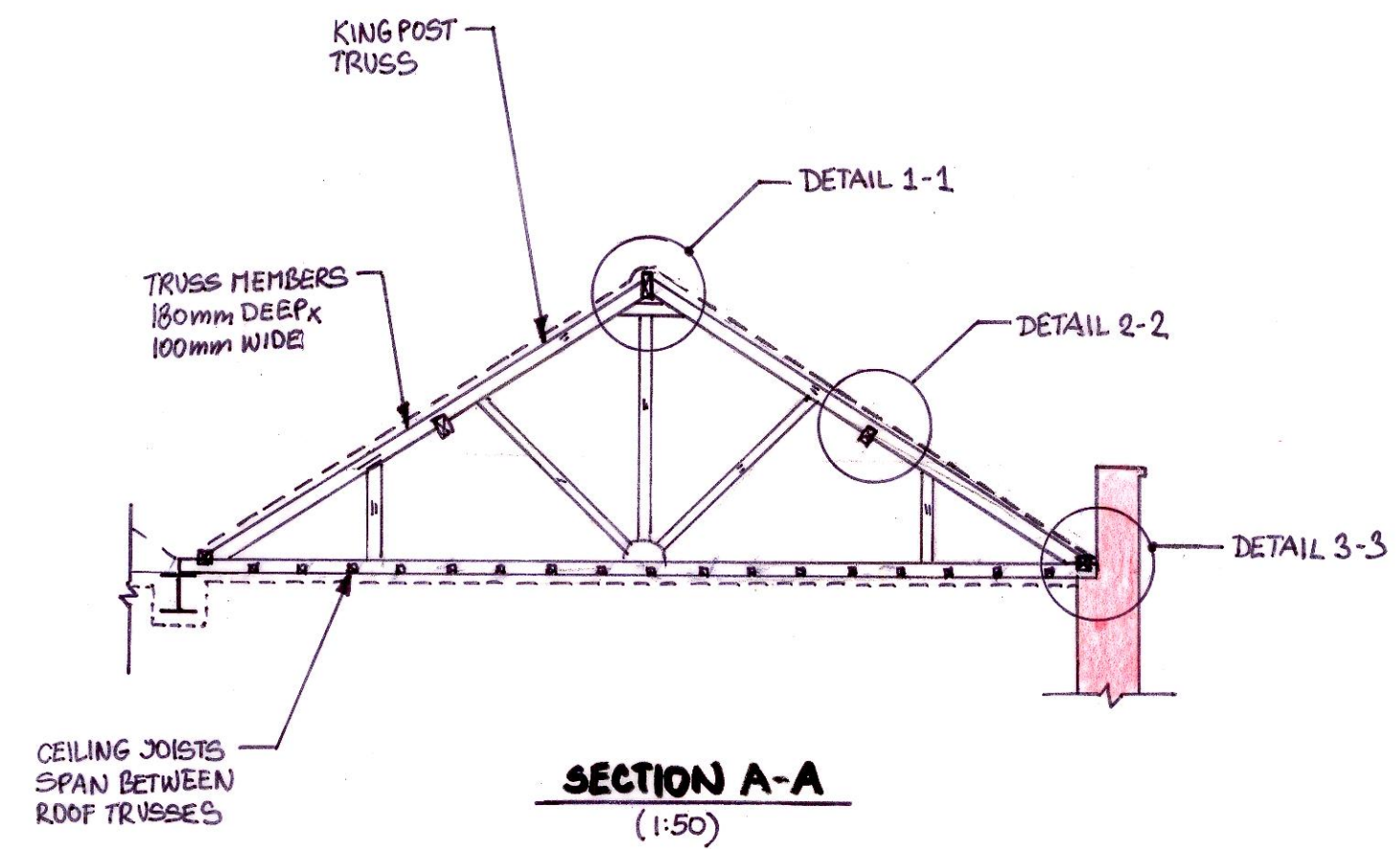
**DETAIL 2-2**  
(1:10)



**DETAIL 3-3 A - TRUSS AT WALL PLATE**  
(1:10)



**DETAIL 3-3 B - COMMON RAFTER AT WALL PLATE**  
(1:10)



PURLIN HAS BEEN DISLODGED FROM TRUSS AND HAS BEEN RE-SUPPORTED WITH PROPS BACK TO TRUSS.

- notes
- DO NOT SCALE FROM THIS DRAWING.
  - THE STRUCTURAL ARRANGEMENT SHOWN ON THESE DRAWINGS ARE BASED ON PRELIMINARY SITE INVESTIGATIONS CARRIED OUT JANUARY 2018, AND ARCHIVE DRAWINGS OF NEIGHBOURING PROPERTY No. 42.

A	16.18	ISSUED FOR INFORMATION. NOTE ADDED.	LK
-	21.2.18	ISSUED FOR INFORMATION	LK

job  
**BRITISH MUSEUM,  
38 RUSSELL SQUARE**

title  
**EXISTING STRUCTURE  
ROOF PLAN**

drawn RG	checked LK
date FEB'18	scale (original - A1) 1:50

**Alan Baxter**

75 Cowcross Street London EC1M 6EL  
tel 020 7250 1555  
email aba@alanbaxter.co.uk  
www.alanbaxter.co.uk

drg. no. <b>1756/702/006</b>	rev. <b>A</b>
---------------------------------	------------------