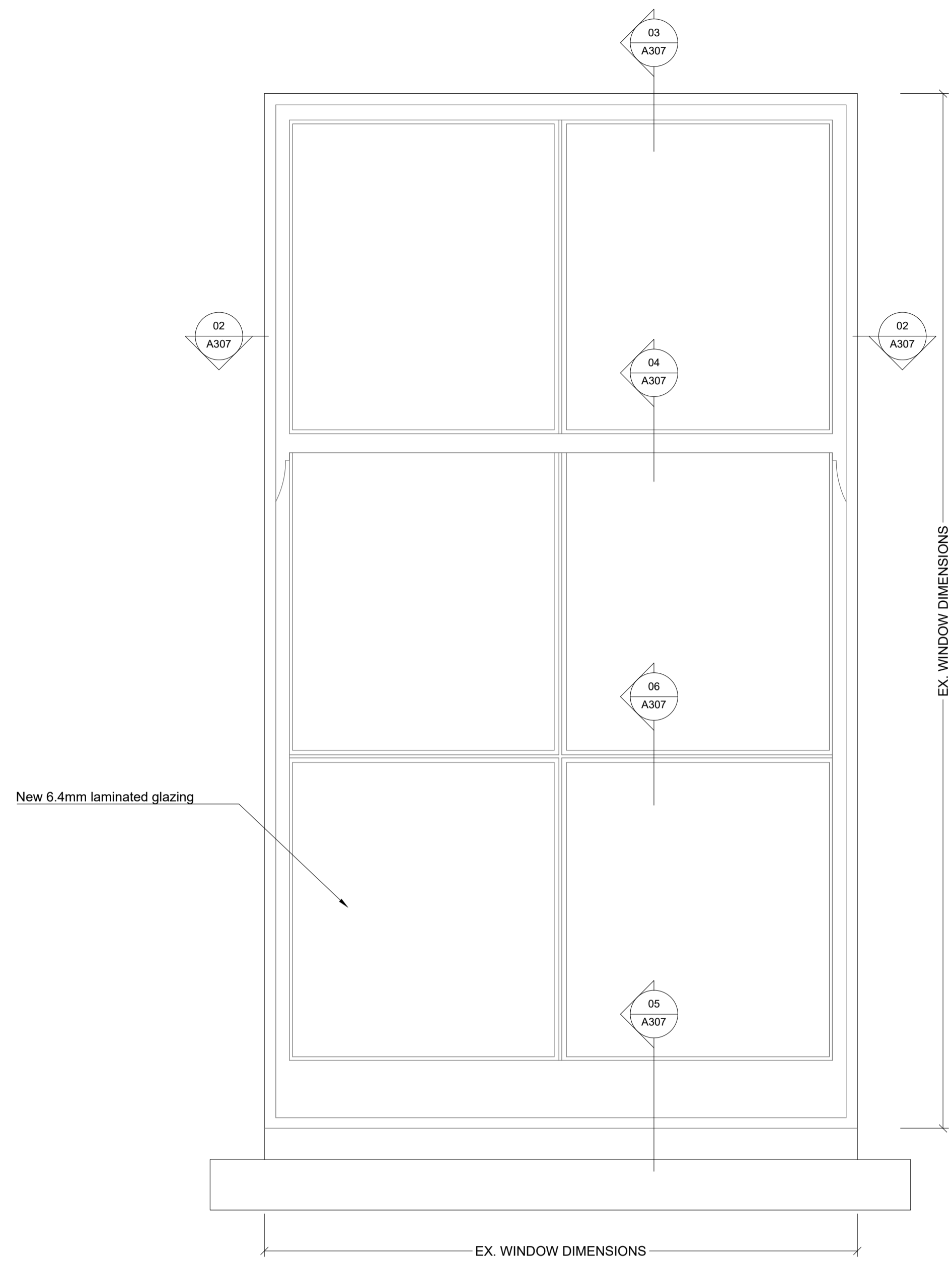
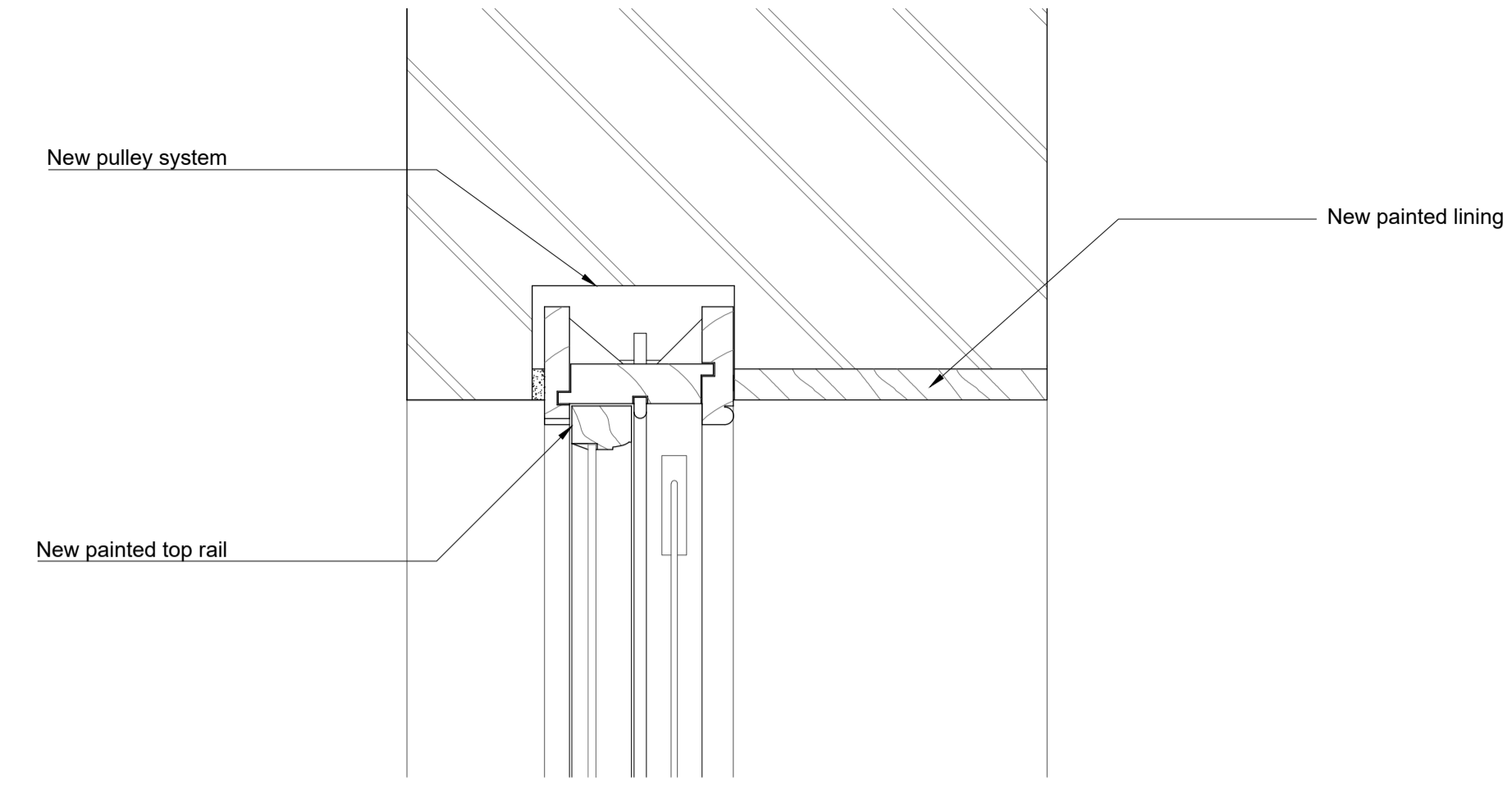


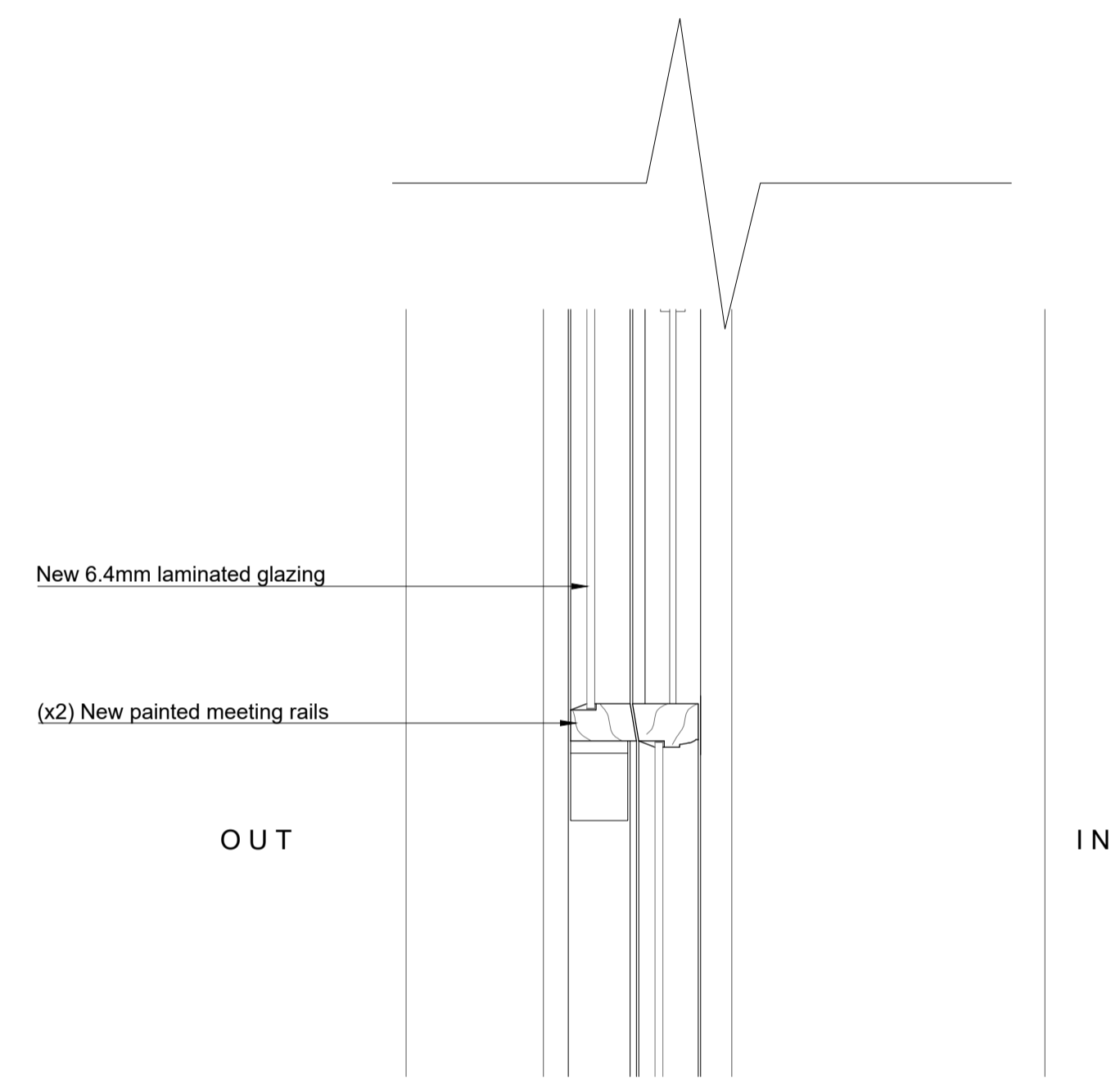
DO NOT SCALE FROM THIS DRAWING  
 DRAWING TO BE READ IN CONJUNCTION WITH ALL OTHER ARCHITECTS AND ENGINEERS CONTRACT DRAWING & SPECIFICATIONS. ANY DISCREPANCIES MUST BE BROUGHT TO THE ATTENTION OF THE ARCHITECT IMMEDIATELY.  
 THE CONTRACTOR MUST VERIFY ALL DIMENSIONS BY SITE MEASUREMENT BEFORE ORDERING MATERIALS OR MANUFACTURING COMPONENTS.  
 SUBSTITUTE MATERIALS & PRODUCTS TO THOSE NAMED WILL BE ACCEPTABLE IF PROVEN TO BE OF EQUAL OR HIGHER PERFORMANCE AND NOT IN CONFLICT WITH OTHER ELEMENTS.



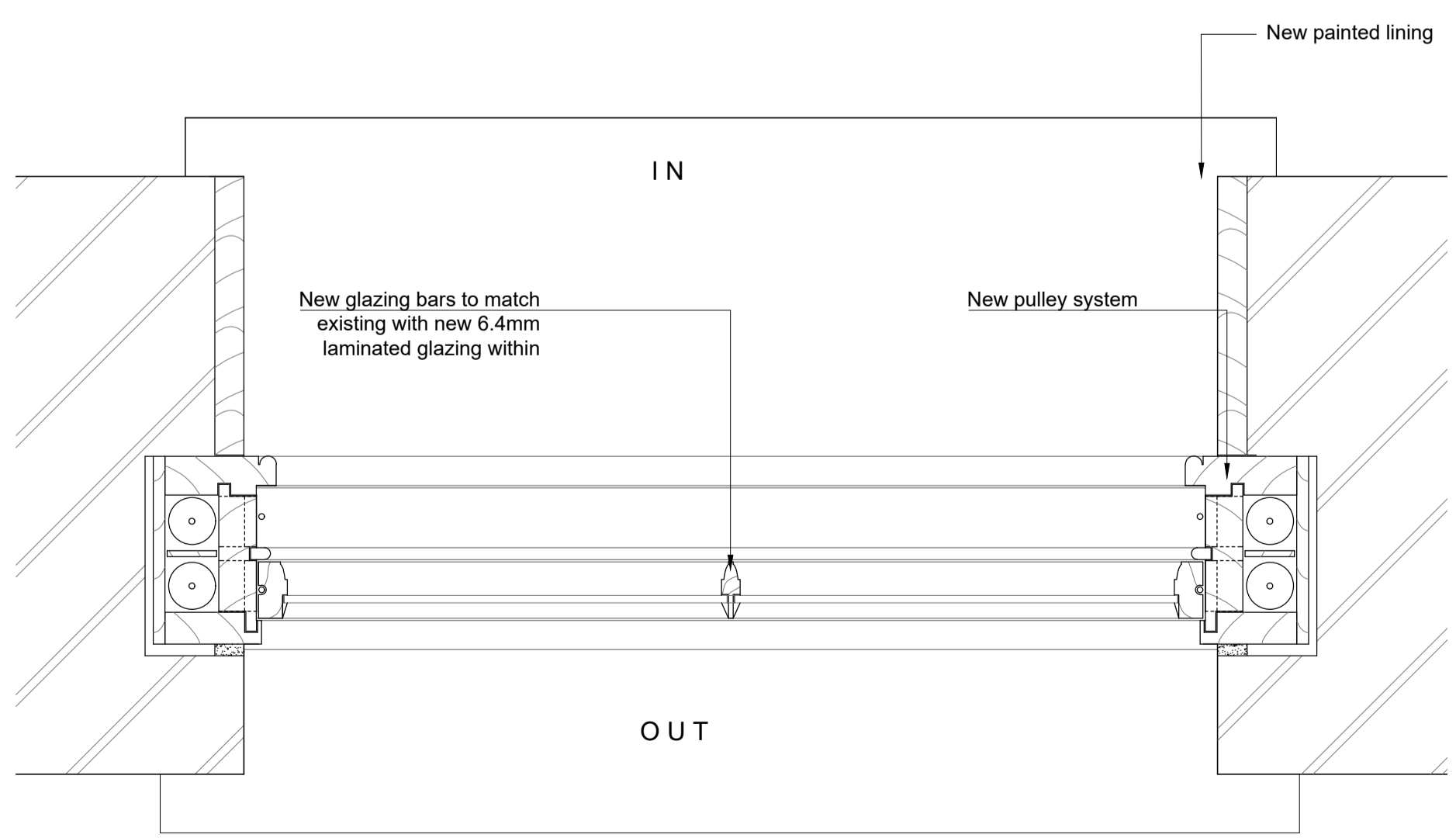
01 WINDOW TYPE 2E - EXTERNAL ELEVATION  
 1:10@A3,1:5@A1



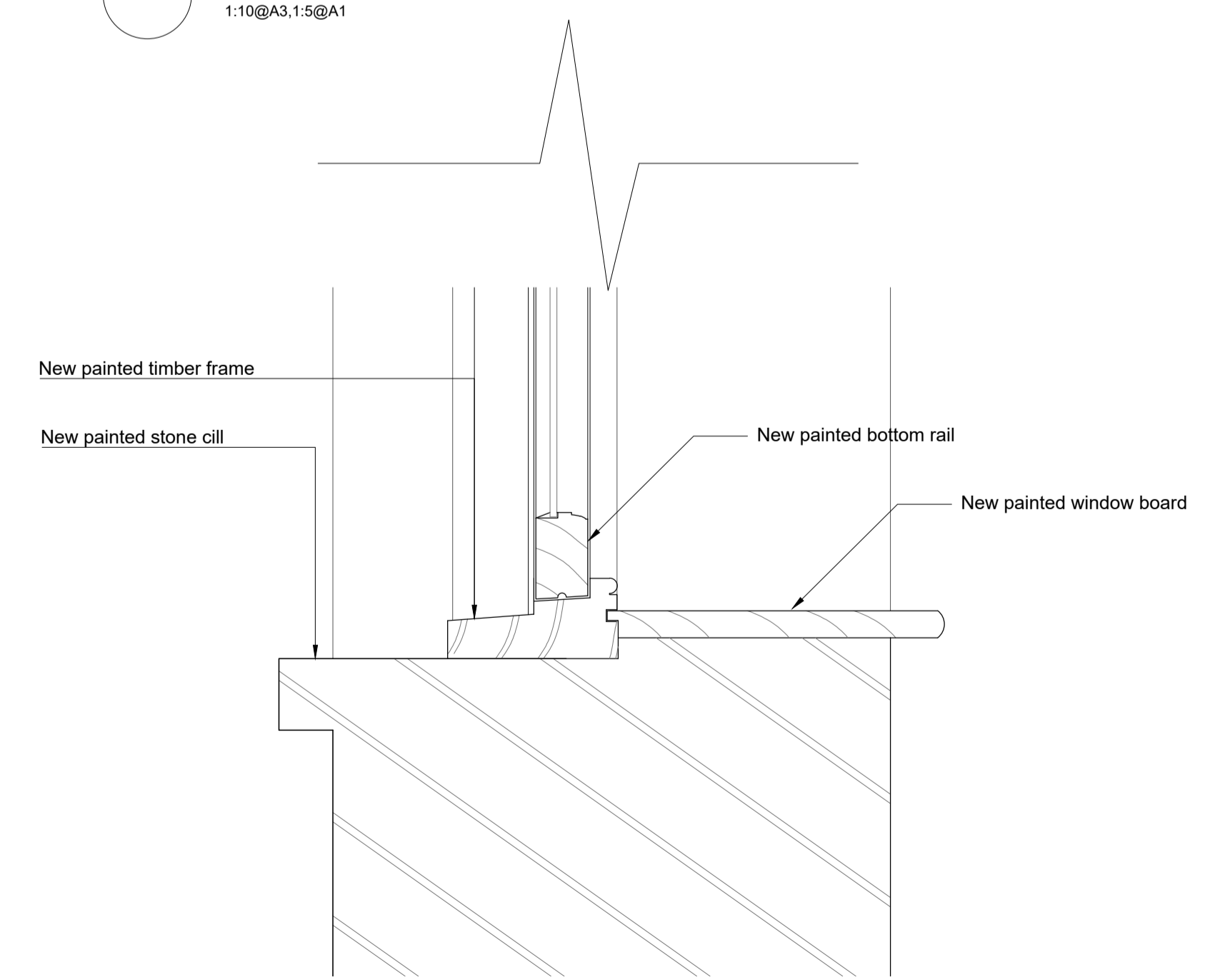
03 WINDOW TYPE 2E - HEAD  
 1:10@A3,1:5@A1



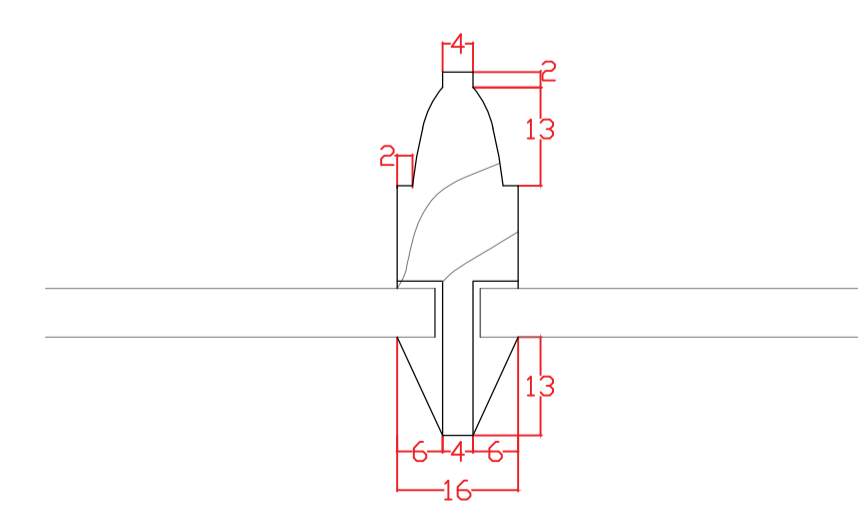
04 WINDOW TYPE 2E - MEETING RAIL  
 1:10@A3,1:5@A1



02 WINDOW TYPE 2E - JAMBS  
 1:10@A3,1:5@A1



05 WINDOW TYPE 2E - CILL  
 1:10@A3,1:5@A1



06 WINDOW TYPE 2E - GLAZING BAR  
 1:2@A3,1:1@A1

| WINDOWS |        |
|---------|--------|
| 2E      | WLG-09 |

| REV | DATE | DESCRIPTION |
|-----|------|-------------|
|     |      |             |

FOR PLANNING

JOB TITLE  
 Keats Grove  
 Hampstead  
 DRAWING TITLE  
 Window Type 2E  
 New LGF small sash  
 JOB No: 546  
 DWG No: A307  
 DRAWN BY: RFB  
 SCALE (A1): 1:5@A1, 1:10@A3  
 DATE: Dec17

**RICHARD GRIFFITHS ARCHITECTS**  
 5 Maidstone Mews, 72-76 Borough High Street, London SE1 1GN  
 T +44(0)20 7357 8788 | F +44(0)20 7403 7887  
 E admin@rgarchitects.com | www.rgarchitects.com

