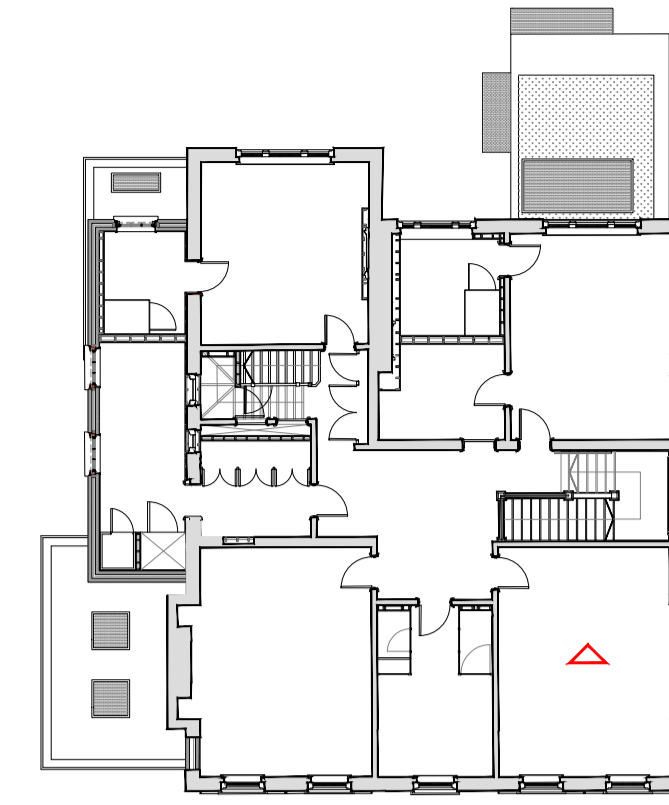


Existing First Floor

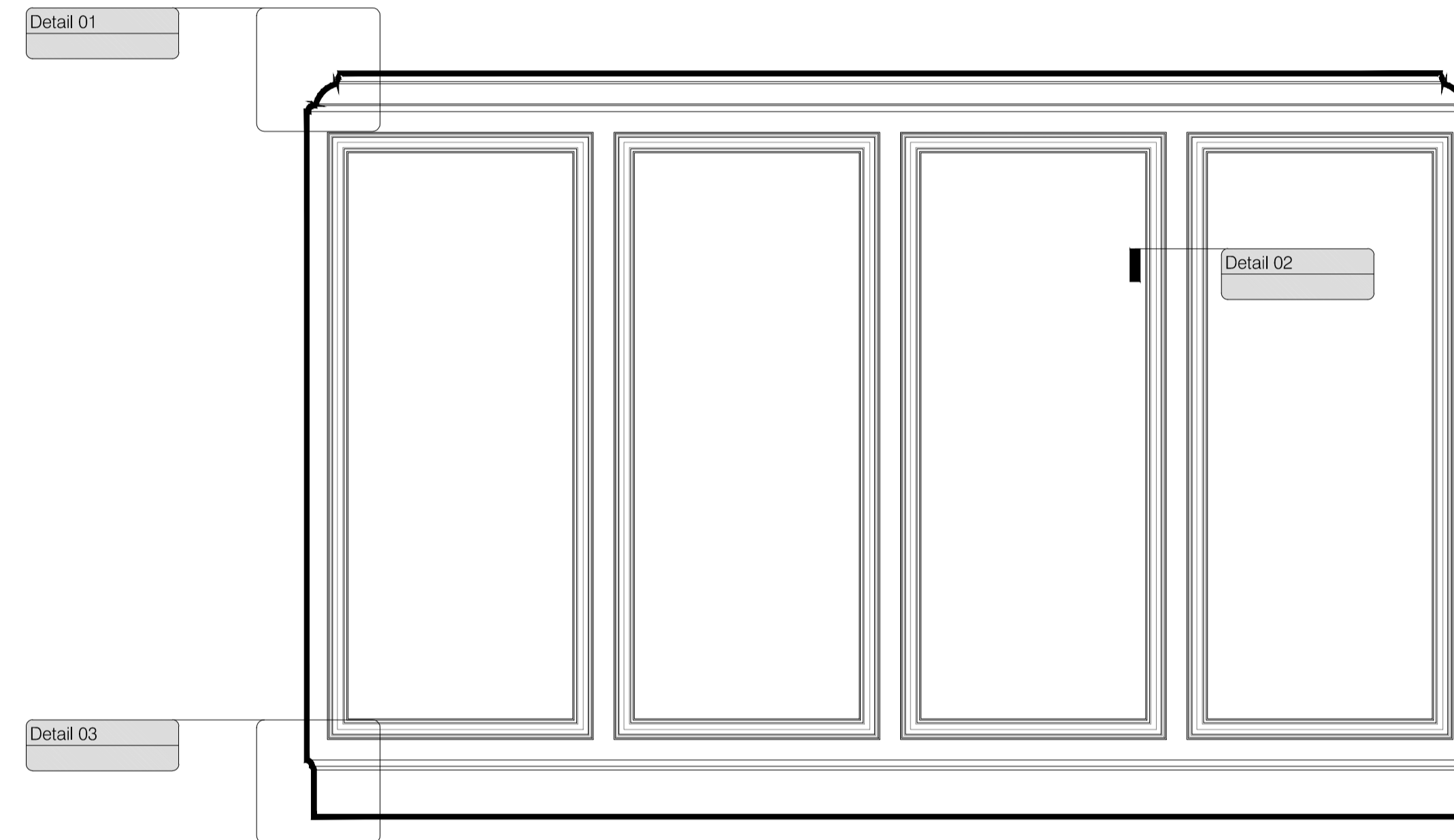


Proposed First Floor

Existing Internal Elevation

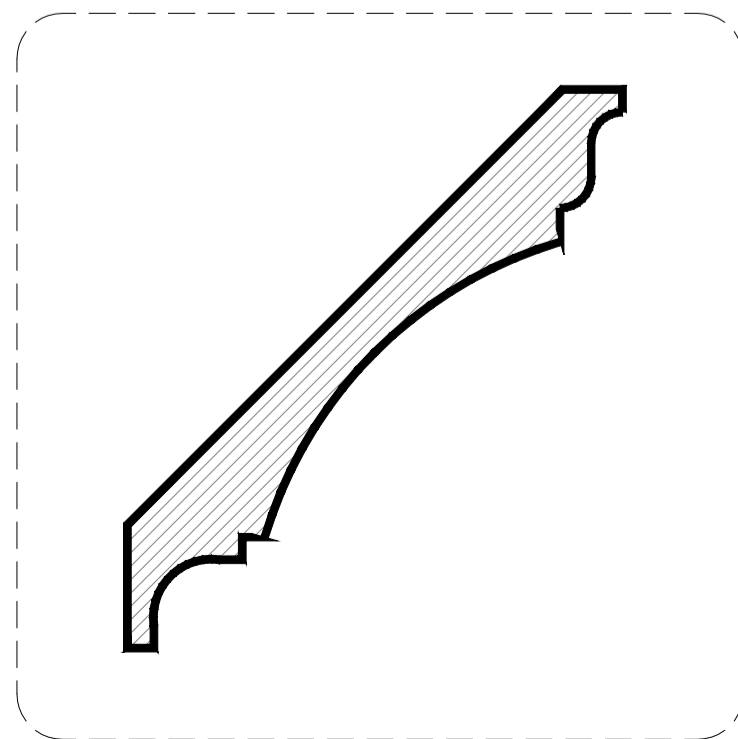


Proposed Internal Elevation

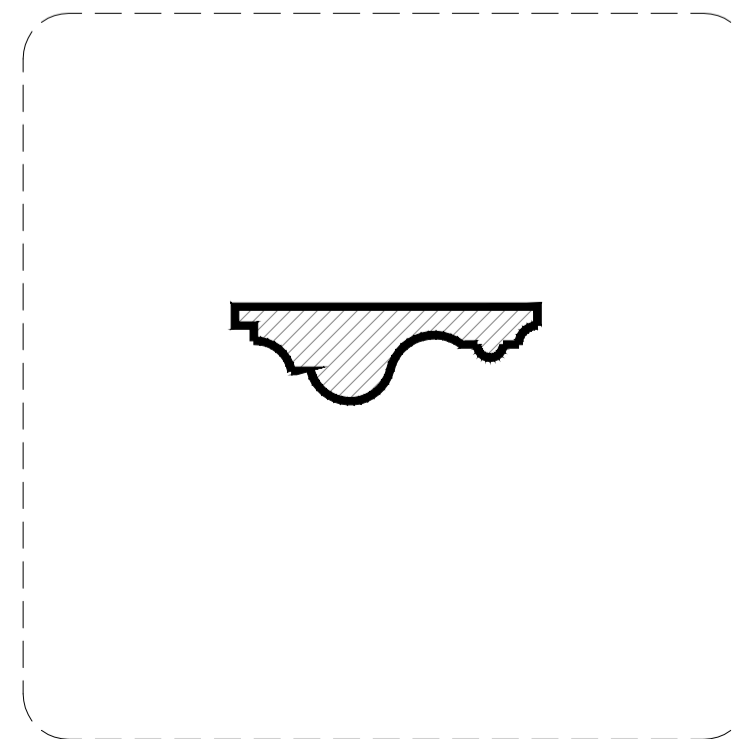


Summary of changes:

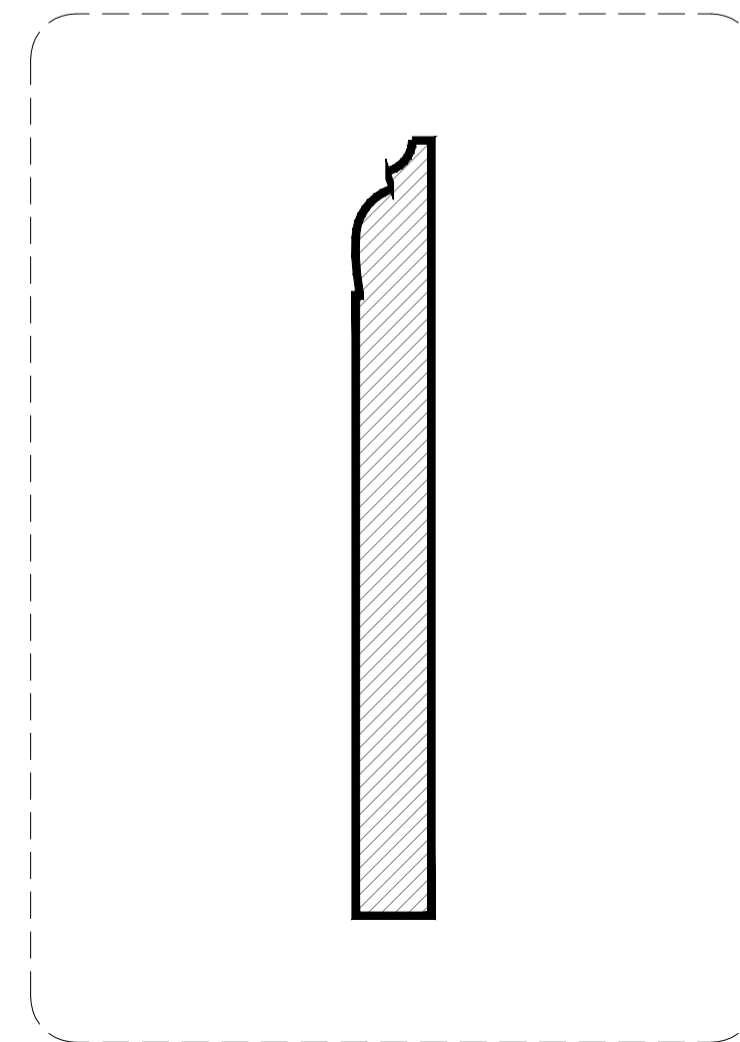
- New panel moulds to be installed to be in keeping with profiles inground floor principle front rooms
- New skirting to be in keeping with profiles inground floor principle front rooms
- New cornice profile to be installed to be in keeping with profiles inground floor principle front rooms



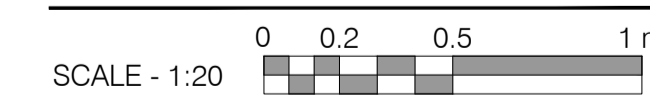
Detail 01



Detail 02



Detail 03



Rev: Comments: By: Date:

Do not scale this drawing. All dimensions must be checked on site. All rights reserved. No reproduction in any material form is permitted without consent.

PLANNING

Client:

Project Title:
24 Heath Drive, London, NW3 7SB

Drawing Title:
Internal Elevations
First Floor - Master Dressing Room

Scale: 1:20@A1 Date: MAR 20 Drawn: MSIL Checked: PH

kyson[®]

Studio

28 Scrutton Street
London
UK
EC2A 4RP

T: +44(0) 20 7247 2462
E: enquiries@kyson.co.uk
W: www.kyson.co.uk

Project No.: 508-16 Drawing No.: 3117 Revision: -