

**DRAWING LEGEND**

**KEY**

PV Module: Trina TSM-270 PD05  
 Dimensions: 1650x992x35mm  
 Power: 275 Wp



K2 S1000 2.0



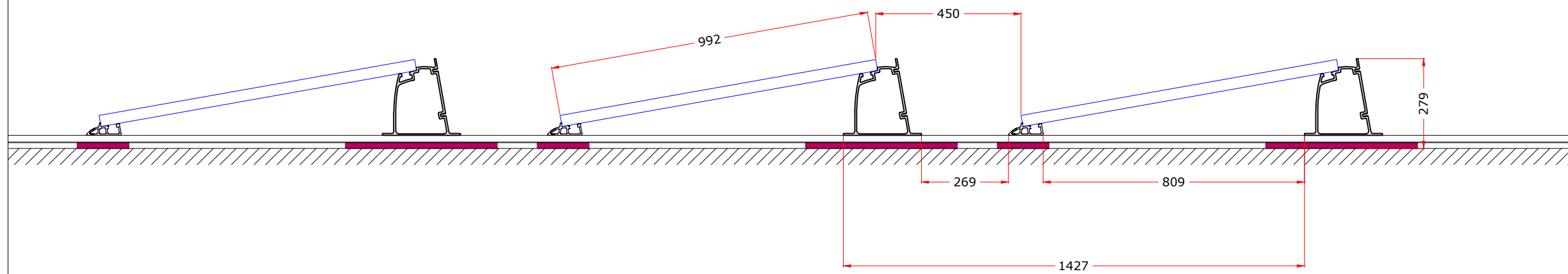
K2 SD1000 2.0



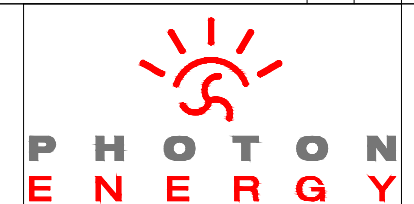
K2 Protection Mat - Small



K2 Protection Mat - Large



Rev	Description	Dwn	Chck	Date



© Photon Energy Ltd  
 8 Windsor Square  
 Silver Street  
 Reading, RG1 2TH  
 Tel +44 118 997 7470  
 info@photonenergy.co.uk  
 www.photonenergy.co.uk  
 All rights reserved

Project Number:  
**I1730**  
 Project Name:  
**Great Ormand Street Hospital**  
 Drawing By:  
**Thomas Bray**  
 Checked By:  
**Abu Luswata**  
 Drawing Name:  
**PV Array Section**  
 Scale:  
**1:15 @A3**  
 Date:  
**02/03/20**  
 Drawing No:  
**I1730-100-02**  
 Rev:  
**-**