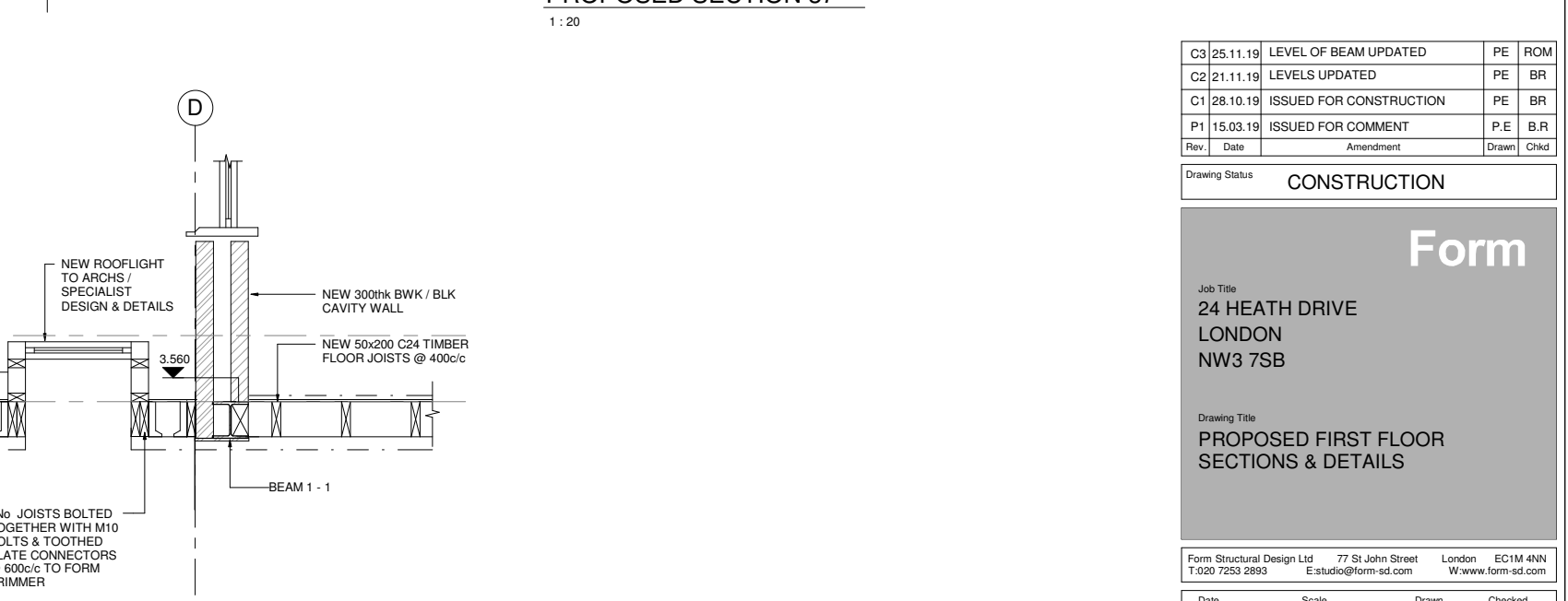
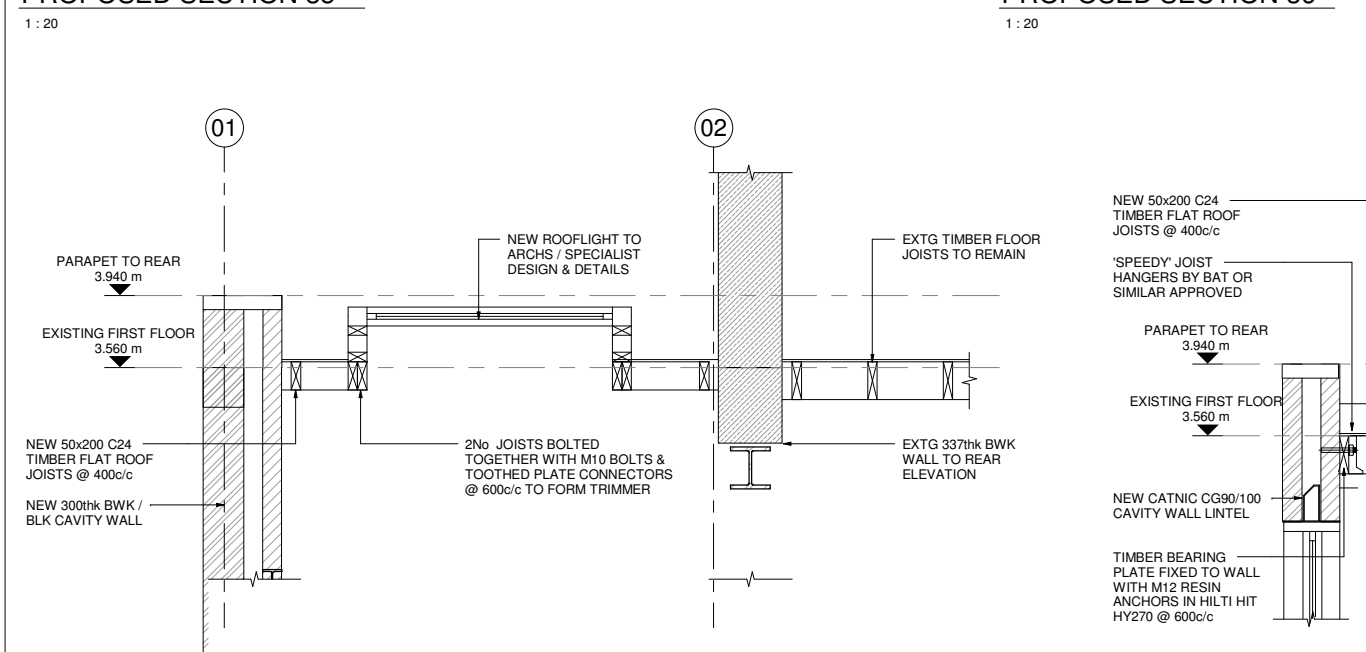
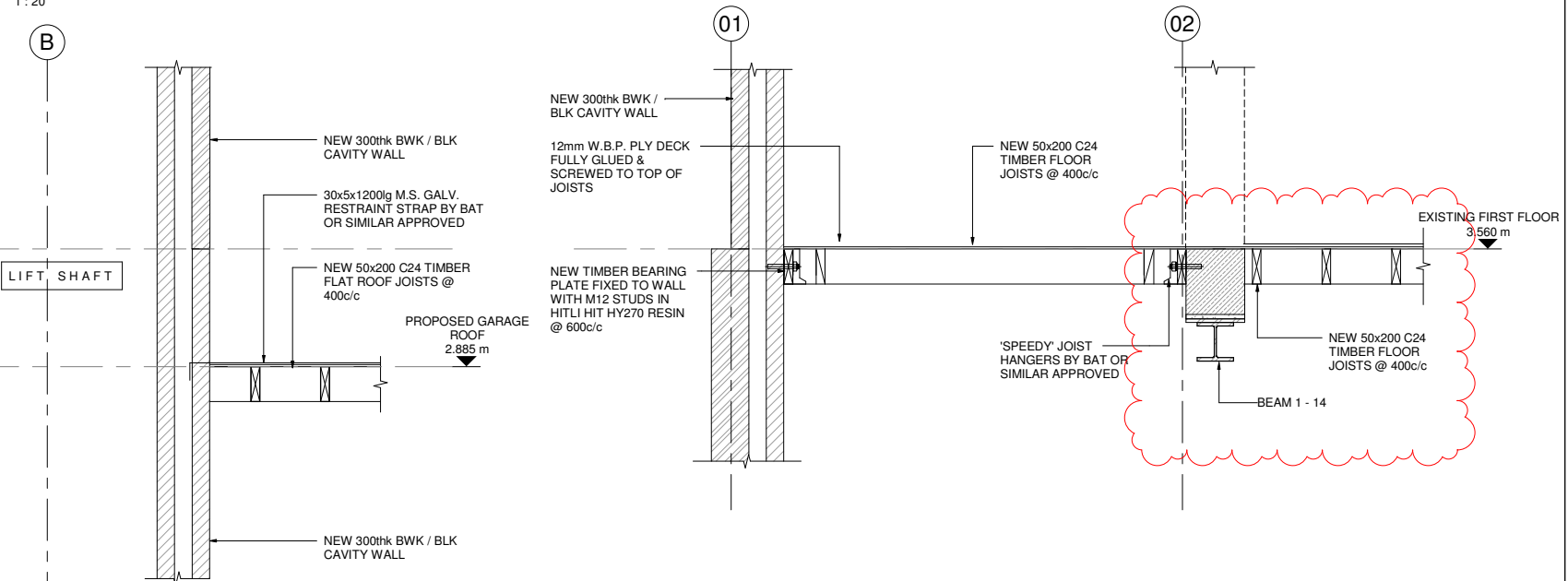
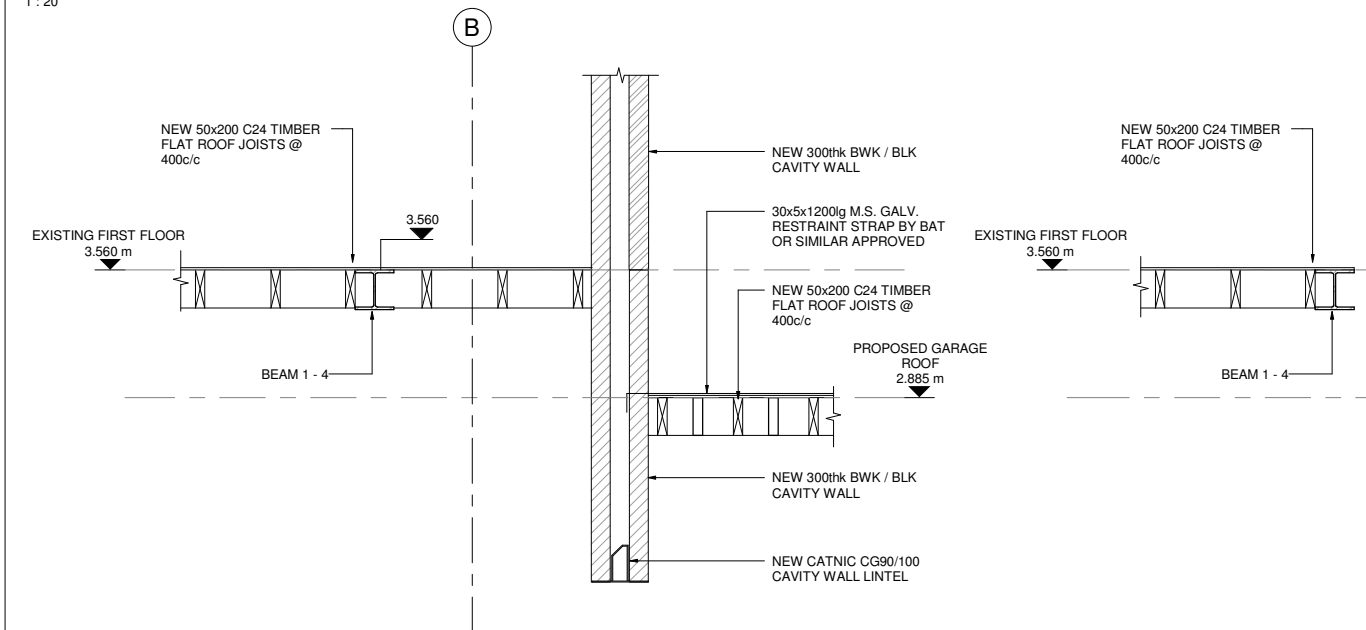
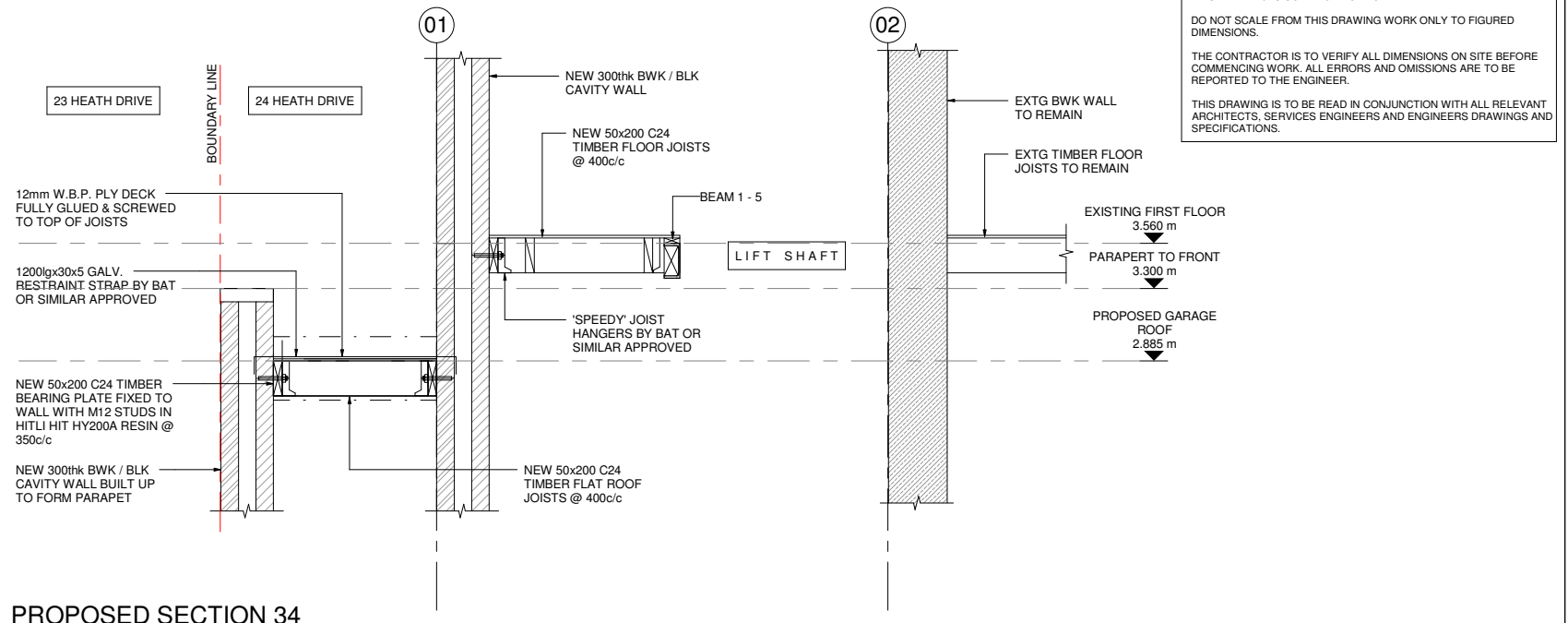
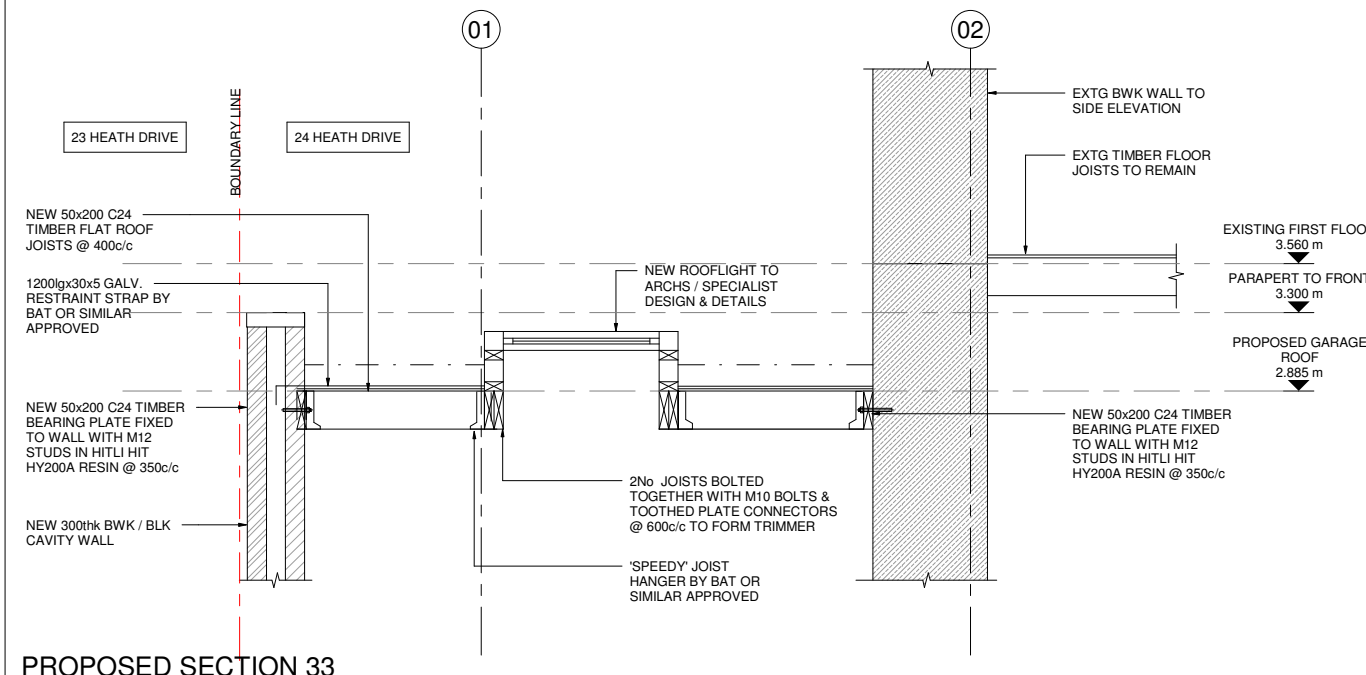


Notes  
 THIS DRAWING IS COPYRIGHT OF FORM.  
 DO NOT SCALE FROM THIS DRAWING WORK ONLY TO FIGURED DIMENSIONS.  
 THE CONTRACTOR IS TO VERIFY ALL DIMENSIONS ON SITE BEFORE COMMENCING WORK. ALL ERRORS AND OMISSIONS ARE TO BE REPORTED TO THE ENGINEER.  
 THIS DRAWING IS TO BE READ IN CONJUNCTION WITH ALL RELEVANT ARCHITECTS, SERVICES ENGINEERS AND ENGINEERS DRAWINGS AND SPECIFICATIONS.



Rev.	Date	Amendment	Drawn	Chkd
C3	25.11.19	LEVEL OF BEAM UPDATED	PE	ROM
C2	21.11.19	LEVELS UPDATED	PE	BR
C1	28.10.19	ISSUED FOR CONSTRUCTION	PE	BR
P1	15.03.19	ISSUED FOR COMMENT	P.E	B.R

Drawing Status: **CONSTRUCTION**

Form

Job Title  
**24 HEATH DRIVE  
 LONDON  
 NW3 7SB**

Drawing Title  
**PROPOSED FIRST FLOOR  
 SECTIONS & DETAILS**

Form Structural Design Ltd 77 St John Street London EC1M 4NN  
 T:020 7253 2893 E:studio@form-sd.com W:www.form-sd.com

Date	Scale	Drawn	Checked
MAR19	1 : 20	P.E	B.R
Job No.	Drawing No.	Revision	
162637	A(23)122	C3	