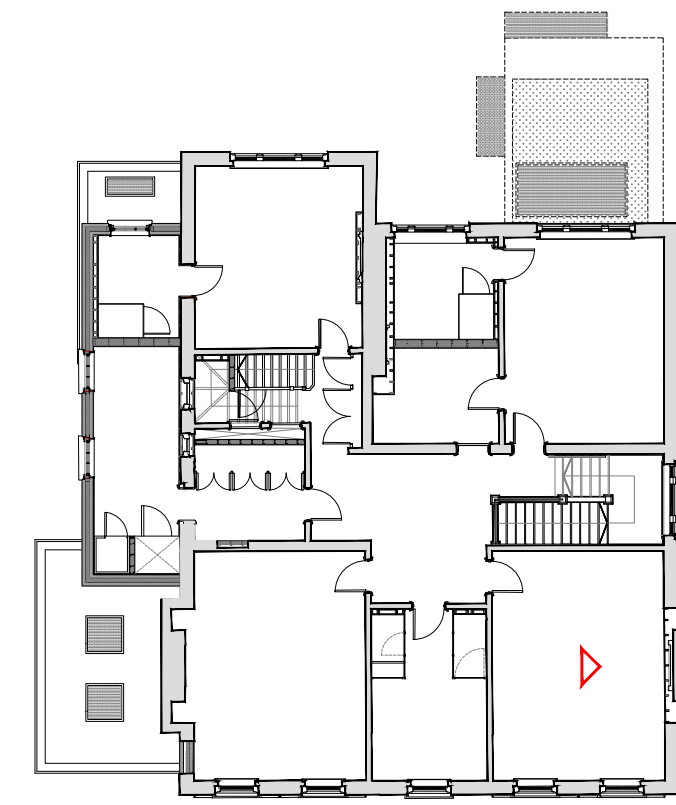


Existing First Floor

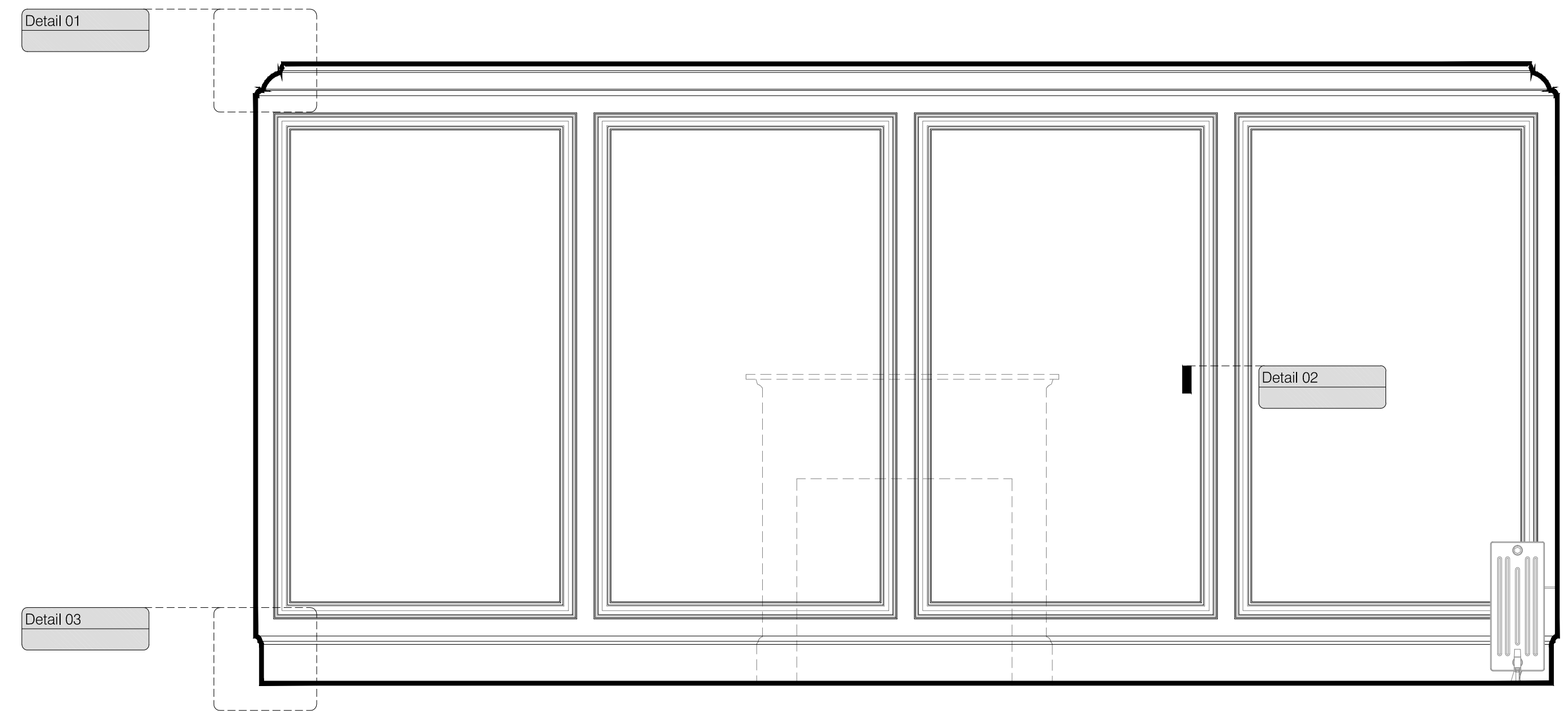


Proposed First Floor

Existing Internal Elevation

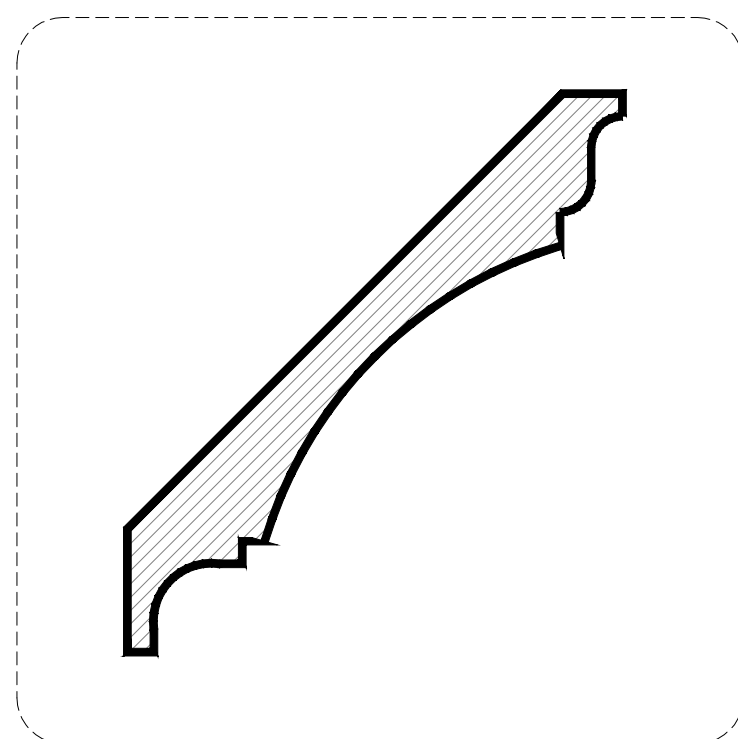


Proposed Internal Elevation

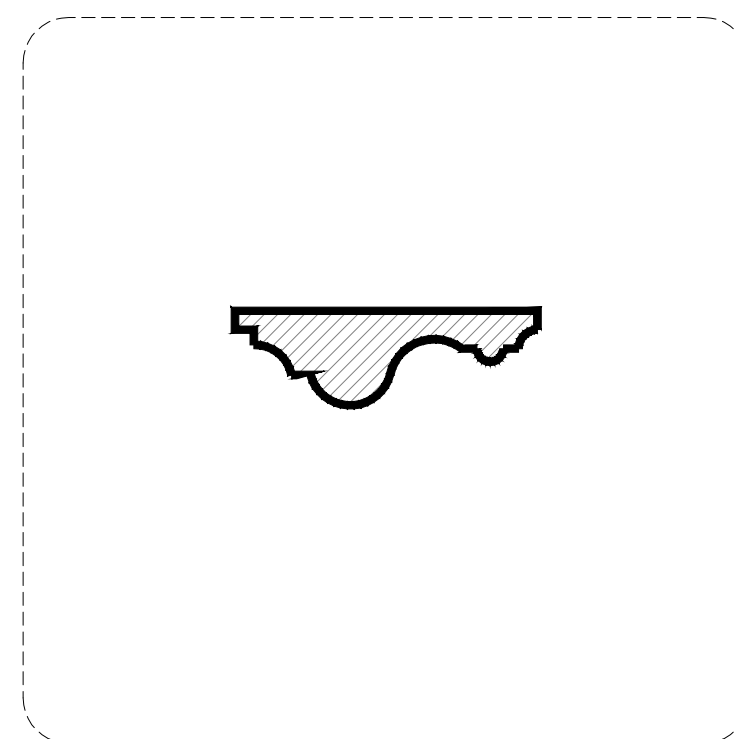


Summary of changes:

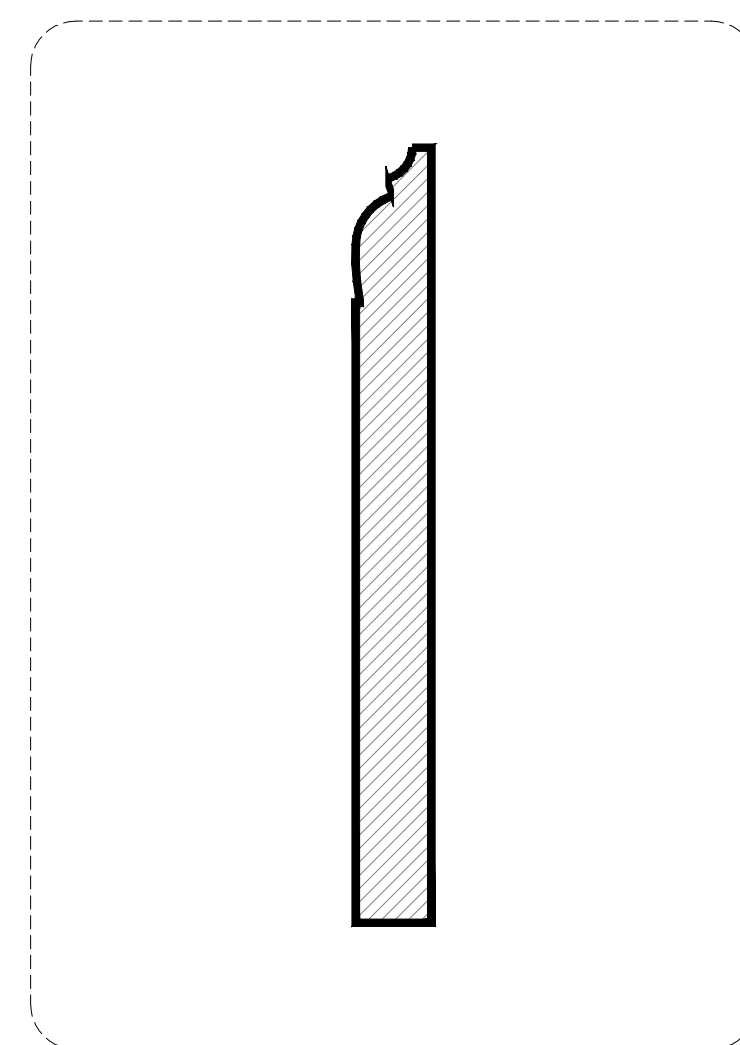
- New panel moulds to be installed to be in keeping with profiles inground floor principle front rooms
- New skirting to be in keeping with profiles inground floor principle front rooms
- New cornice profile to be installed to be in keeping with profiles inground floor principle front rooms
- Existing Fireplace to be retained, boxing out included to protect fireplace and create rectilinear dressing room



Detail 01



Detail 02



Detail 03



SCALE - 1:20

Rev: Comments: By: Date:

PLANNING

Client:

Project Title:

24 Heath Drive, London, NW3 7SB

Drawing Title:

Internal Elevations

First Floor - Master Dressing Room

Scale: Date: Drawn: Checked:

1:20@A1 MAR 20 MSIL PH

kyson

Studio

28 Scrutton Street

London

UK

EC2A 4RP

T: +44(0) 20 7247 2462

E: enquiries@kyson.co.uk

W: www.kyson.co.uk

Project No.: Drawing No.: Revision:

508-16 3118 -

Do not scale this drawing. All dimensions must be checked on site. All rights reserved. No reproduction in any material form is permitted without consent.