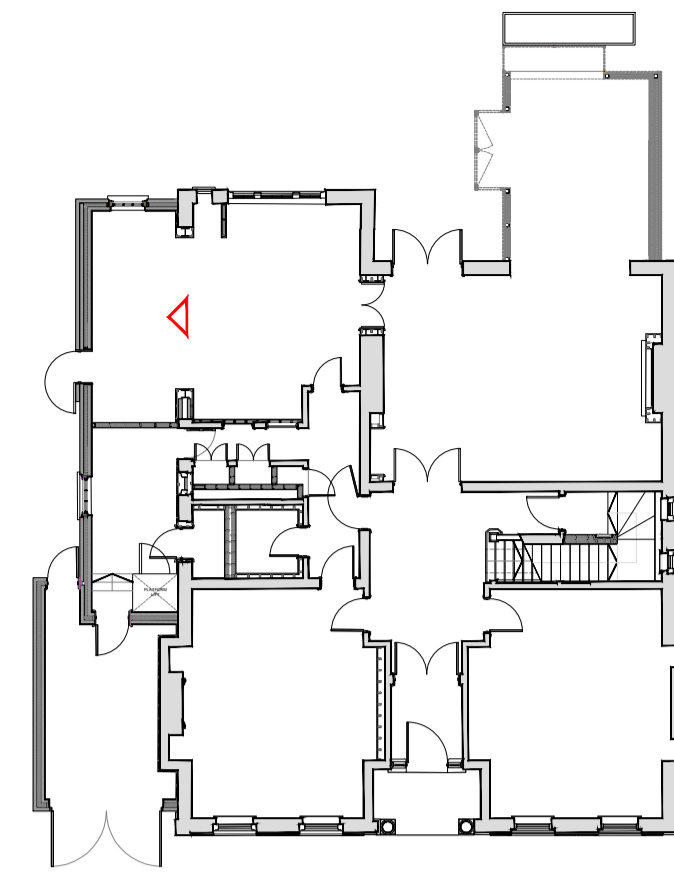
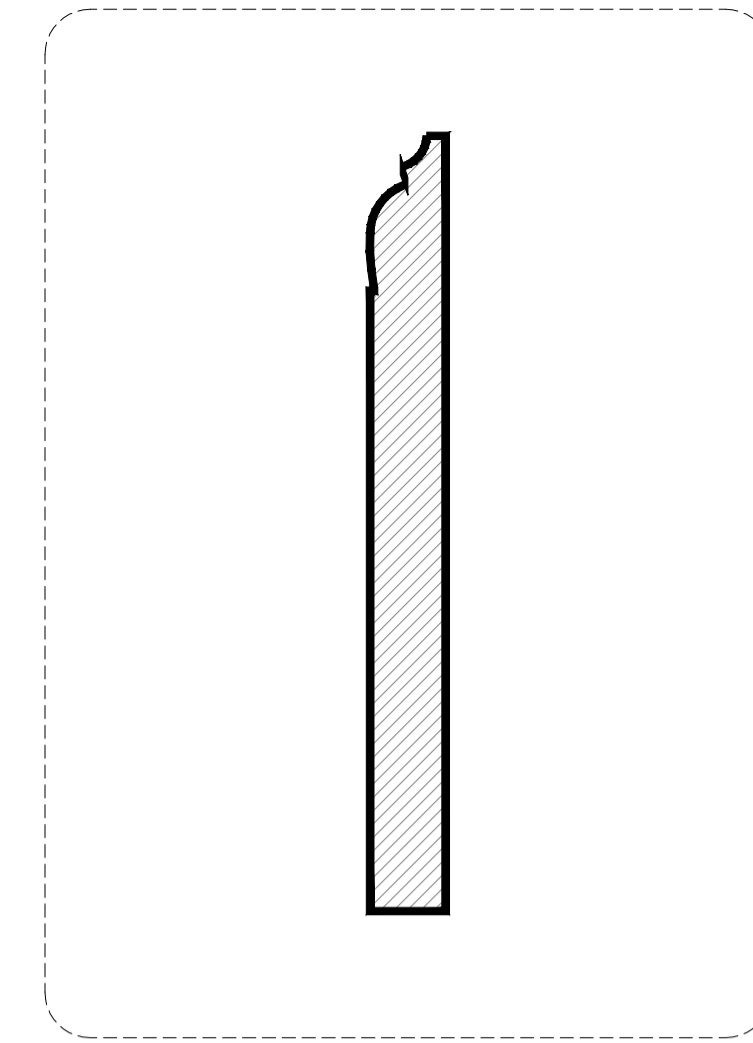


Existing Ground Floor



Proposed Ground Floor



Detail 01

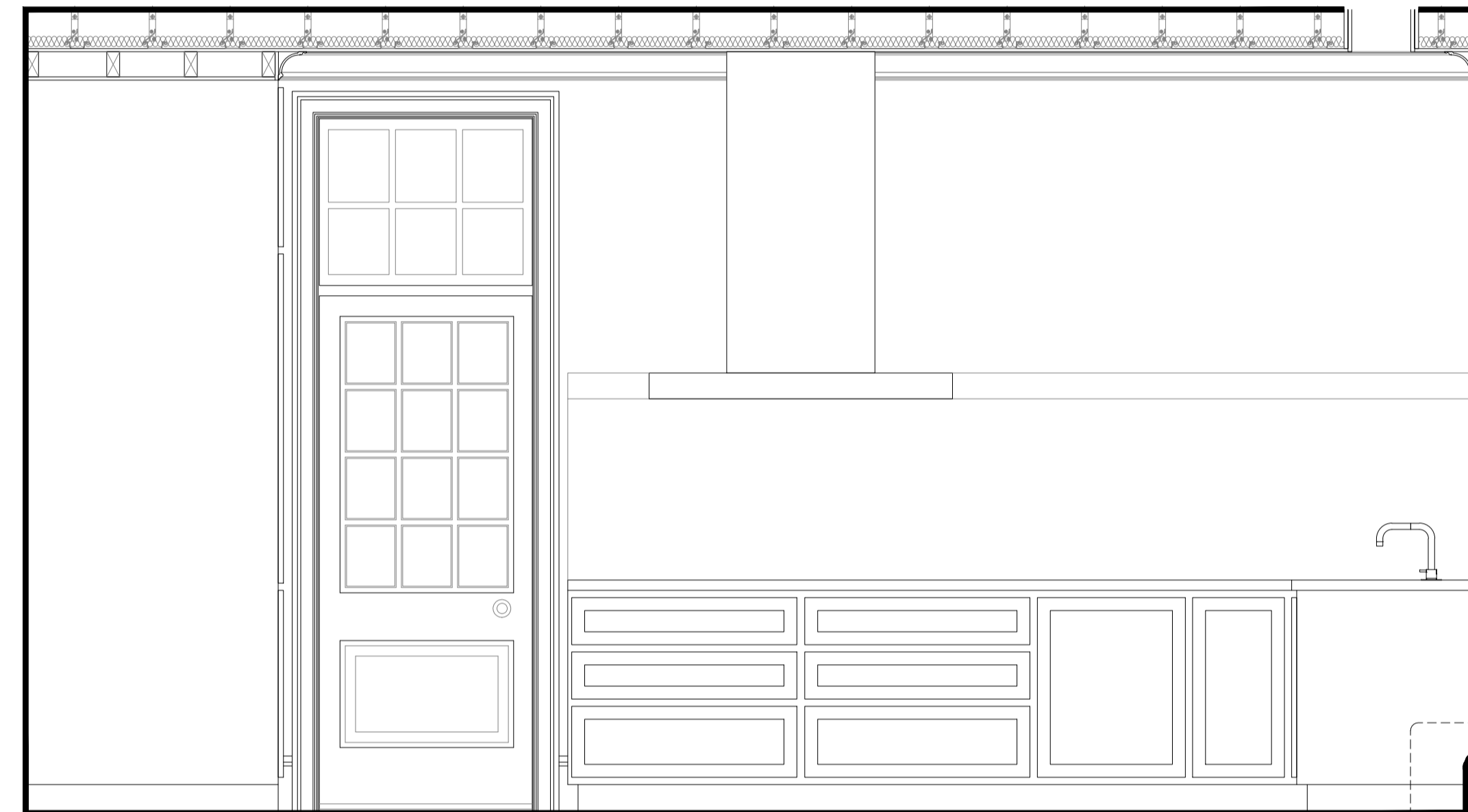
Existing Internal Elevation



DG-15

DG-16

Proposed Internal Elevation



DG-27

Detail 01

Summary of changes:

- Single leaf opening within proposed extension. Opening to be sized to suit an existing door
- Existing door to be reused if possible, ironmongery to be replaced and change as necessary
- New ceiling in extension to match existing
- New skirting to be in keeping with profiles inground floor principle front rooms
- New cornice profile to be installed to be in keeping with profiles inground floor principle front rooms

SCALE - 1:20

Rev: Comments: By: Date:

Do not scale this drawing. All dimensions must be checked on site. All rights reserved. No reproduction in any material form is permitted without consent.

PLANNING

Client:
Project Title:
24 Heath Drive, London, NW3 7SB

Drawing Title:
Internal Elevations
Ground Floor - Kitchen

Scale: 1:20@A1 Date: MAR 20 Drawn: MSIL Checked: PH

kyson

Studio
28 Scrutton Street
London
UK
EC2A 4RP

T: +44(0) 20 7247 2462
E: enquiries@kyson.co.uk
W: www.kyson.co.uk

Project No.: 508-16 Drawing No.: 3114 Revision: -