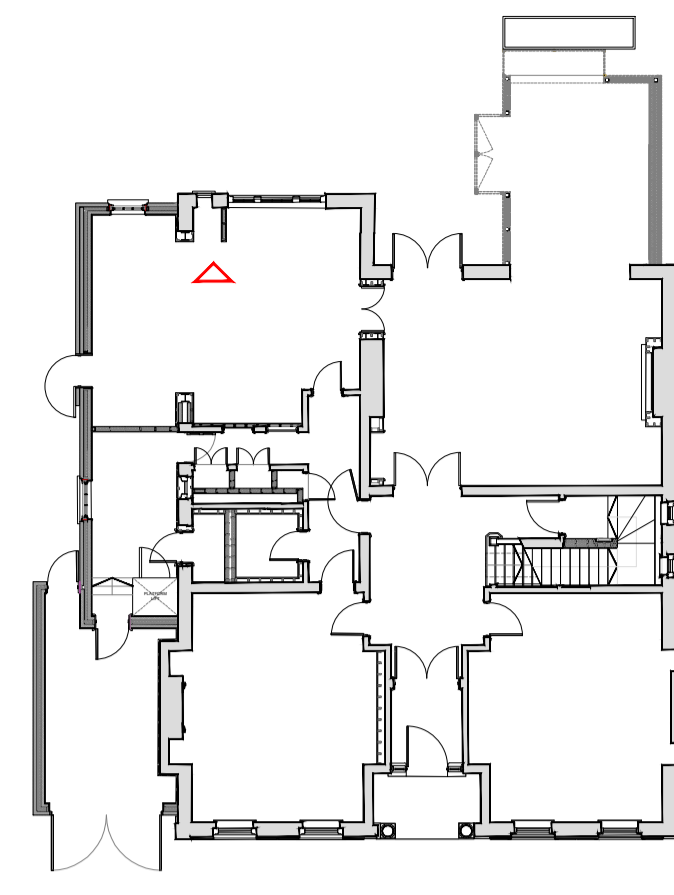
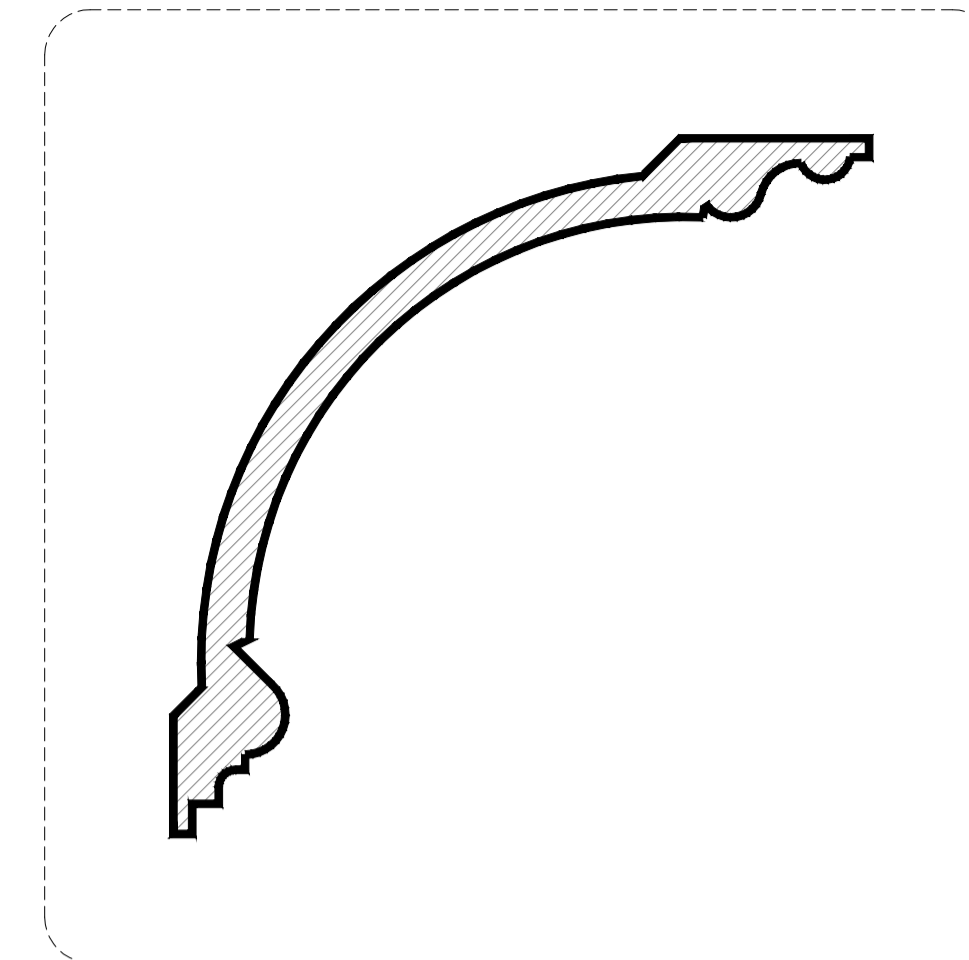


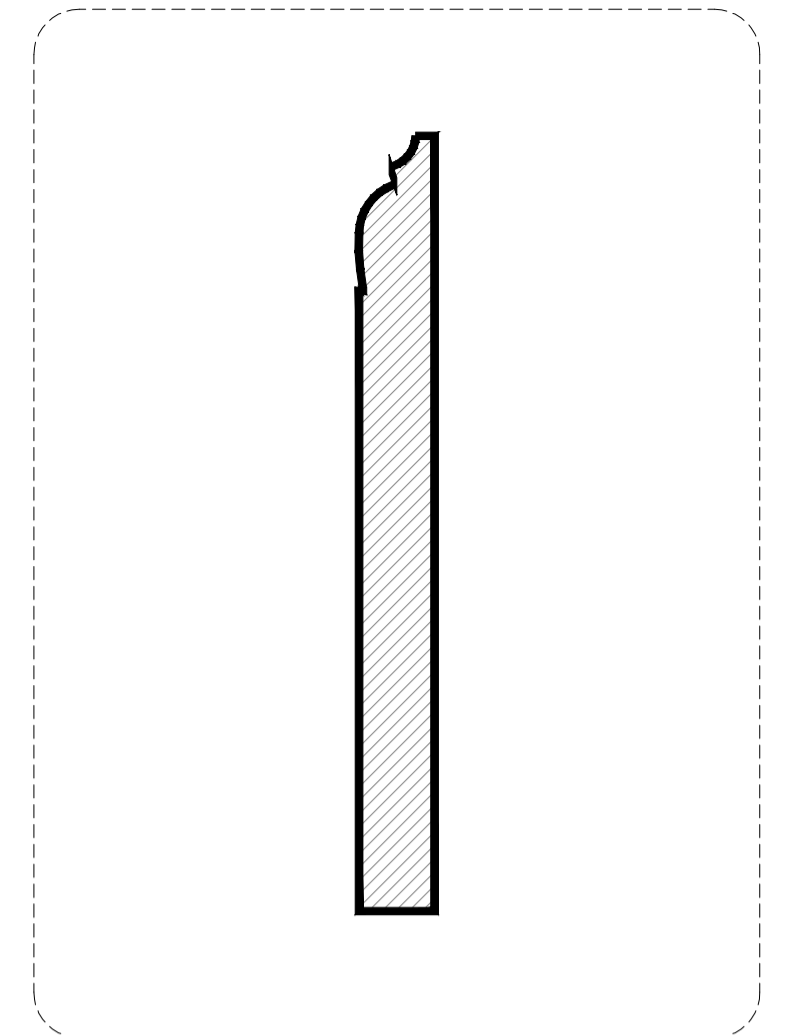
Existing Ground Floor



Proposed Ground Floor

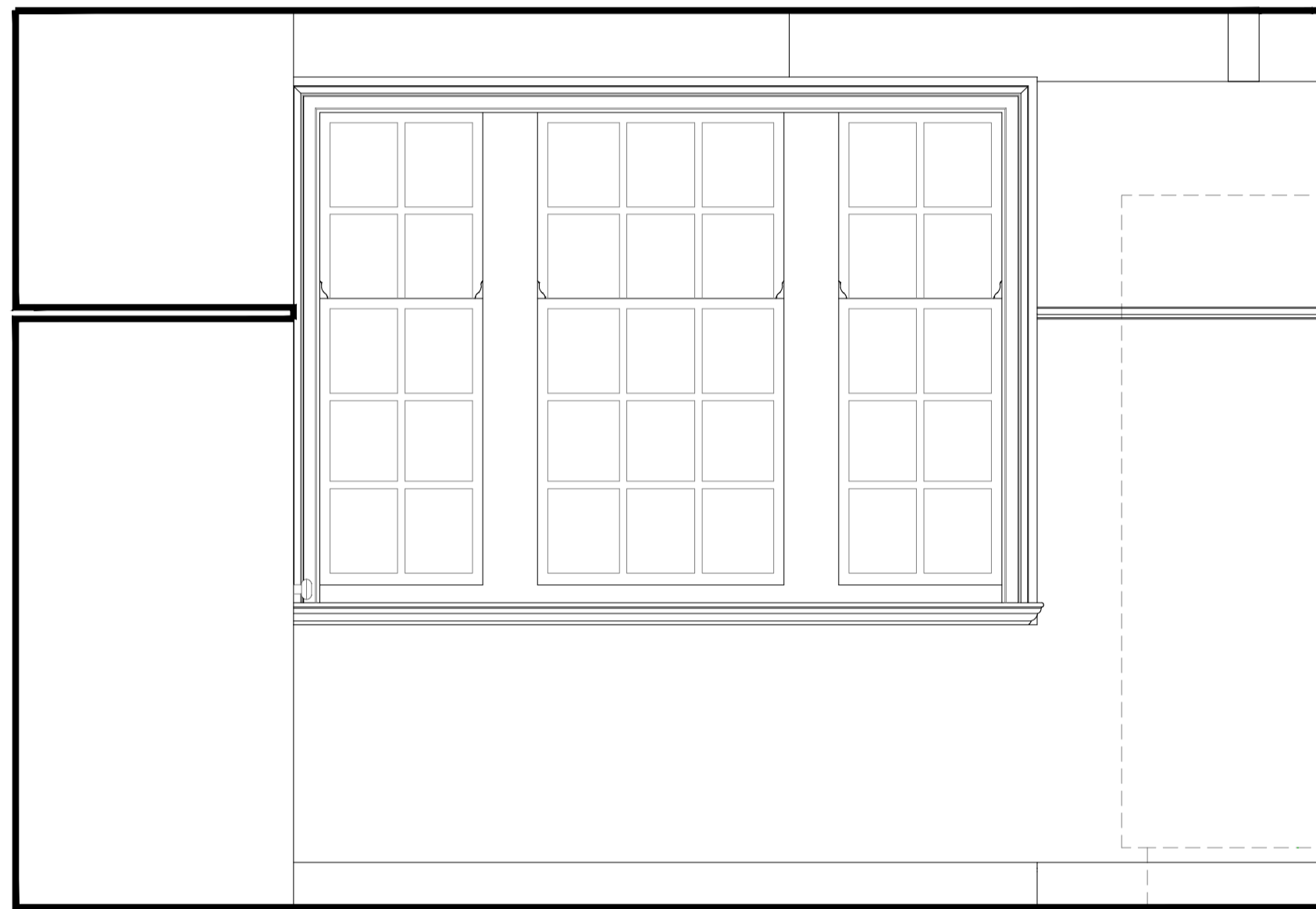


Detail 01

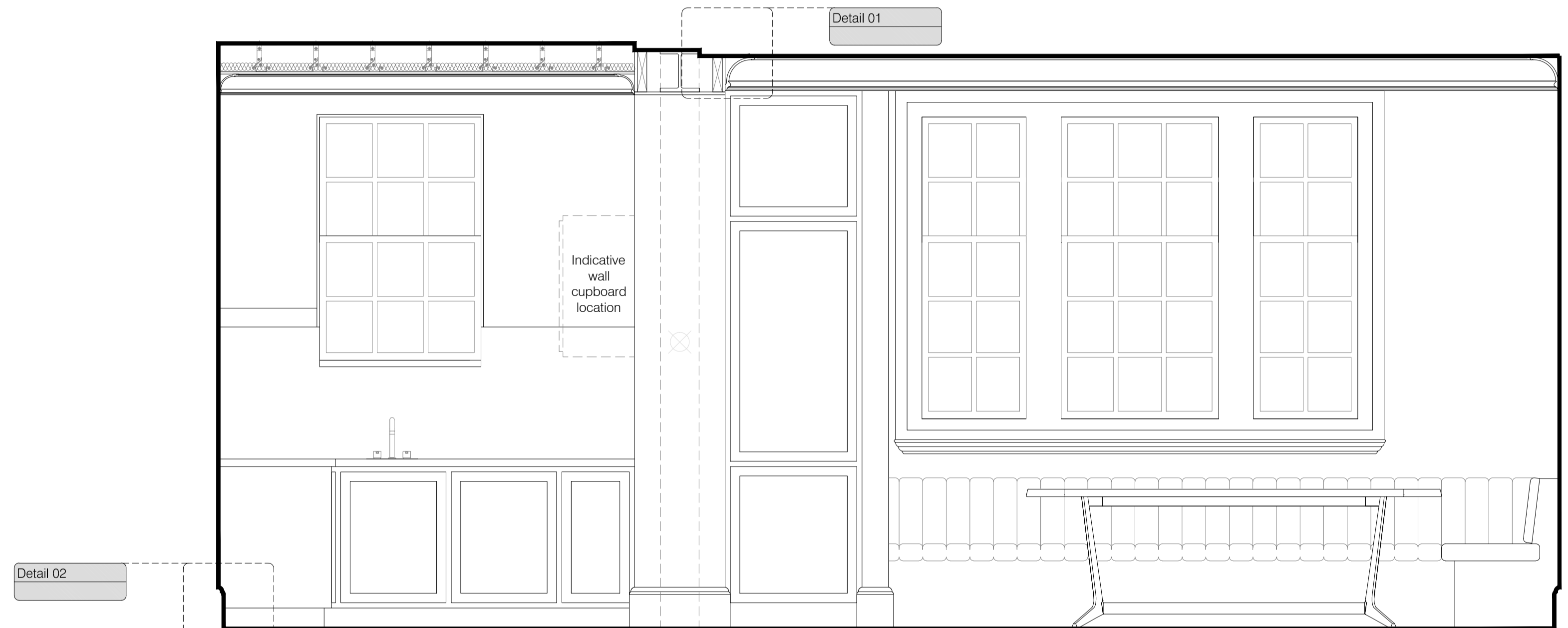


Detail 02

Existing Internal Elevation



Proposed Internal Elevation



Summary of changes:

- New opening within existing masonry to extend kitchen into new extension
- Brickwork to be carefully cut and toothed in to form opening
- Localised penetrations through existing ceiling required to allow for installation of services.
- Existing ceiling to be kept in situ and repaired as required to match existing
- Grey dashed line indicates structural goal post, refer to Structural Engineer's proposals for details
- New skirting to be in keeping with profiles inground floor principle front rooms
- New cornice profile to be installed to be in keeping with profiles inground floor principle front rooms
- Kitchen Splashback to form internal window cill and window reveal as required

SCALE - 1:20

Rev: Comments: By: Date:

Do not scale this drawing. All dimensions must be checked on site. All rights reserved. No reproduction in any material form is permitted without consent.

PLANNING

Client:

Project Title:
24 Heath Drive, London, NW3 7SB

Drawing Title:
Internal Elevations
Ground Floor - Kitchen

Scale: Date: Drawn: Checked:
1:20@A1 MAR 20 MSIL PH

kyson⁺

Studio

28 Scrutton Street
London
UK
EC2A 4RP

T: +44(0) 20 7247 2462
E: enquiries@kyson.co.uk
W: www.kyson.co.uk

Project No.: Drawing No.: Revision:
508-16 3113 -