

client logo placed here

Project  
**BRITISH MUSEUM  
LIFE SAFETY PLAN  
2018-2019**

Client Location

Project No: 18.33071.00



HOK

Qube, 90 Whitfield Street  
London, W1T 4EZ, UK  
t +44 (0)20 7636 2006  
f +44 (0)20 7636 1987

All reproduction & intellectual property rights reserved © 2014

In Association with

Consultant Name  
Consultant Title  
Consultant Address Line 1  
Consultant Address Line 2

Key Plan

Do not scale dimensions from drawings  
Site verify all dimensions prior to construction  
Report all discrepancies to HOK immediately  
This drawing is to be read in conjunction with all relevant documents and drawings.

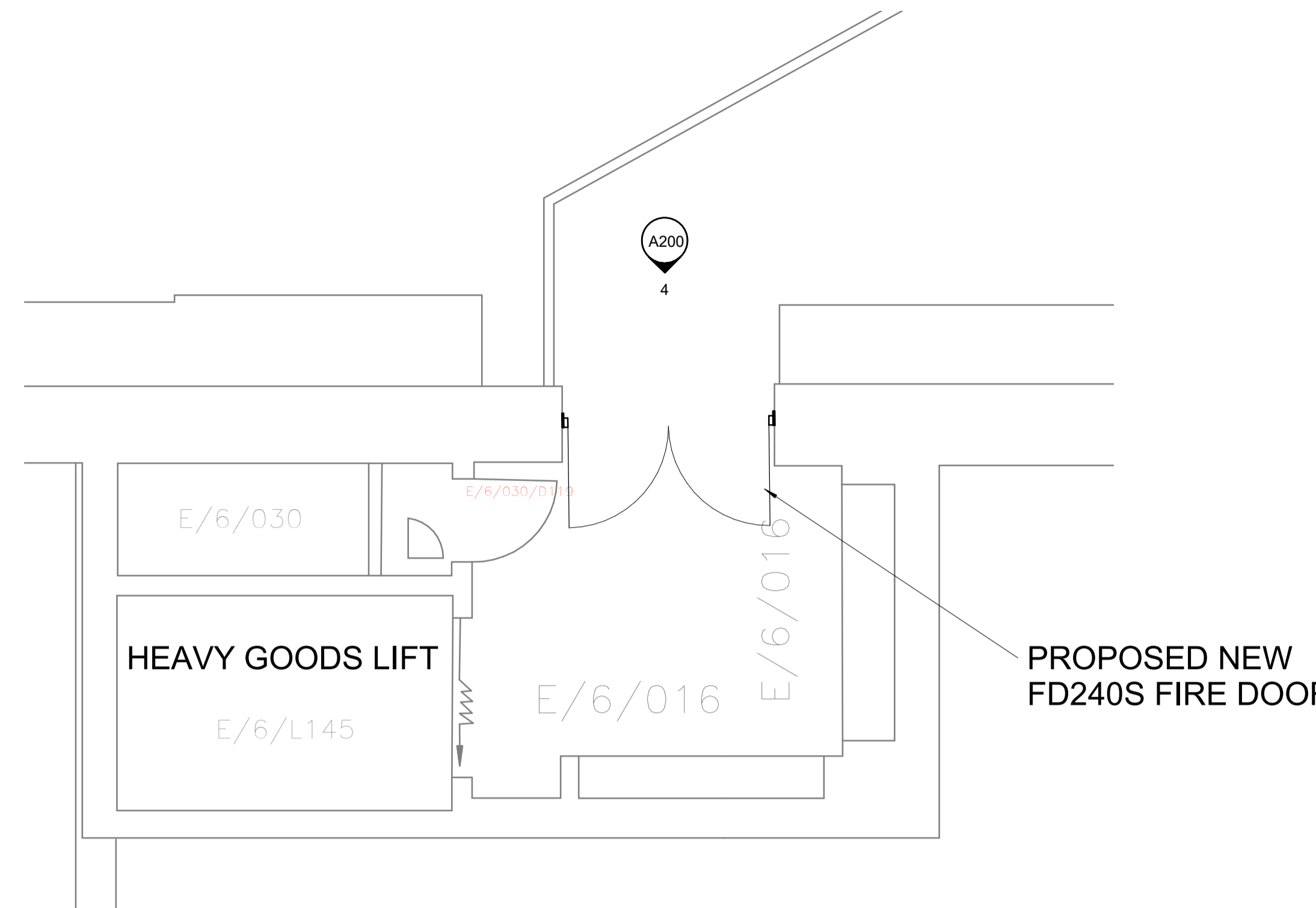
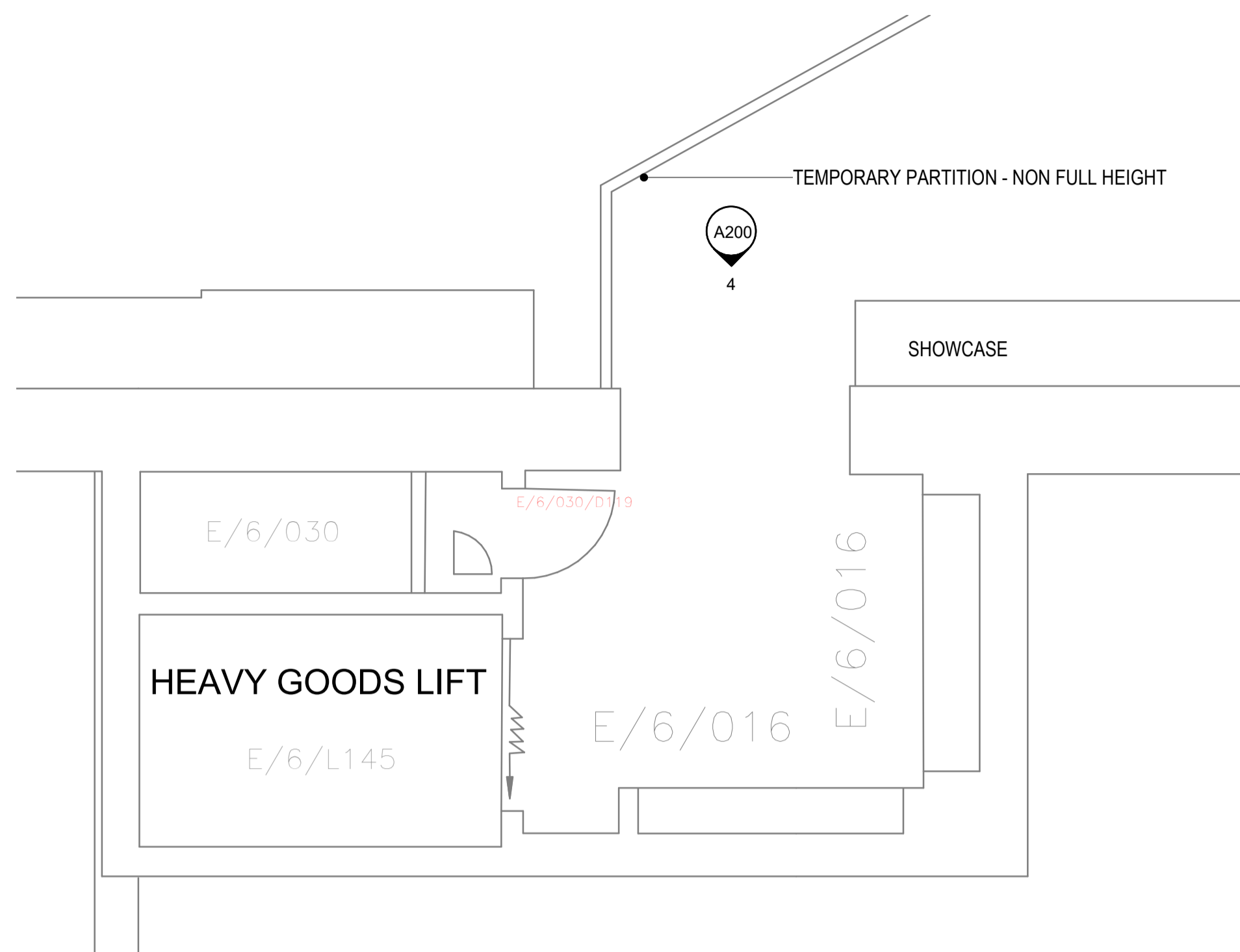
Rev.	Description	Date	By
1	PO STATUTORY CONSENT	27/03/20	LC

Drawn by: LC Reviewed by: SPD  
Drawn Date: FEB 2020 Scale: As indicated  
Project No: 18.33071.00

Sheet Title:  
**LEVEL 6 EXISTING &  
PROPOSED PLANS &  
ELEVATIONS**

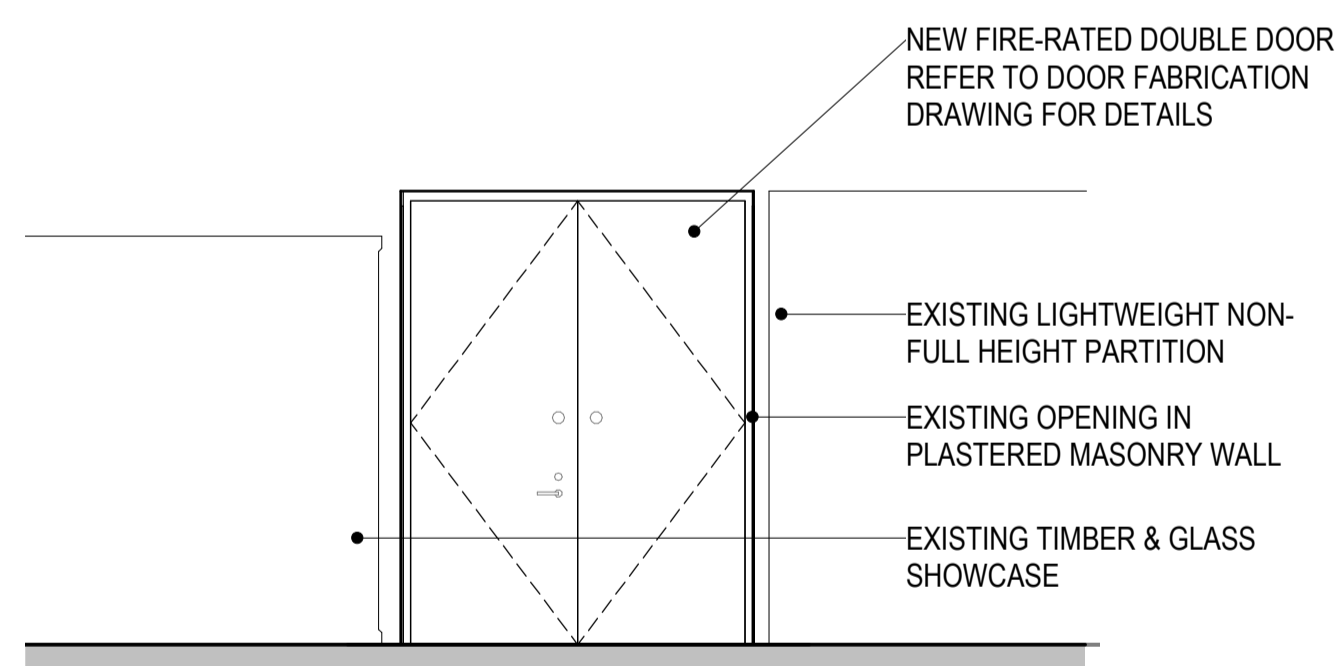
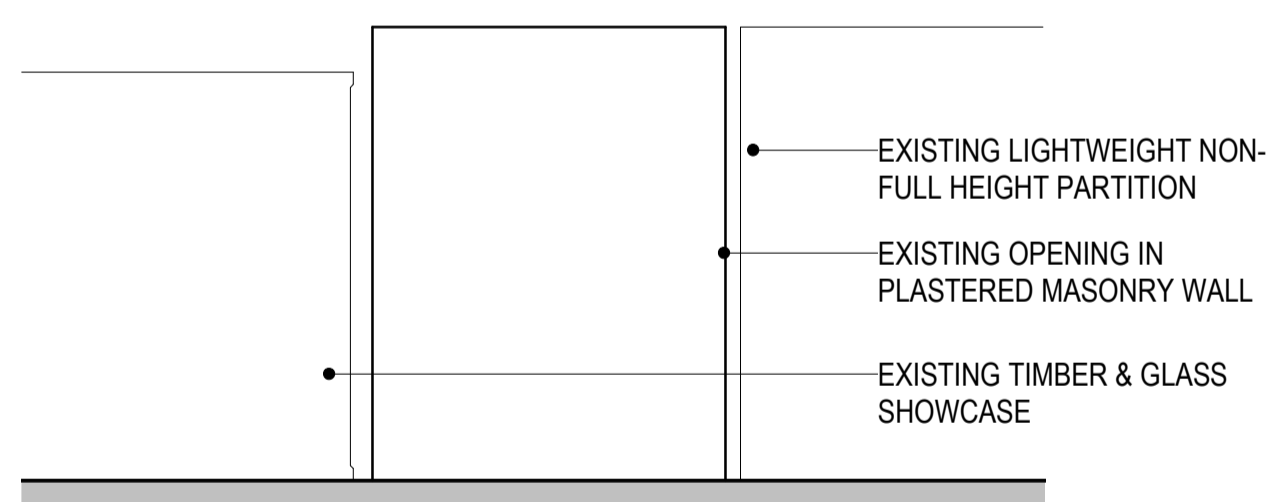
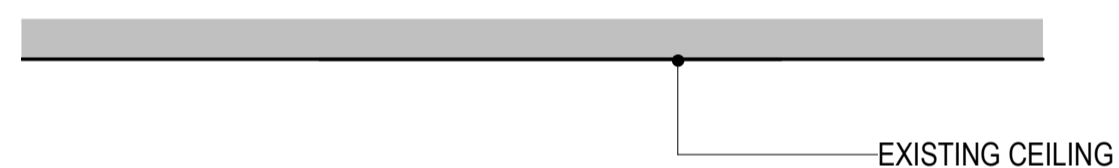
Original drawing is A1. Do not scale contents of this drawing.  
Sheet Number: Revision:

**A200 PO1**



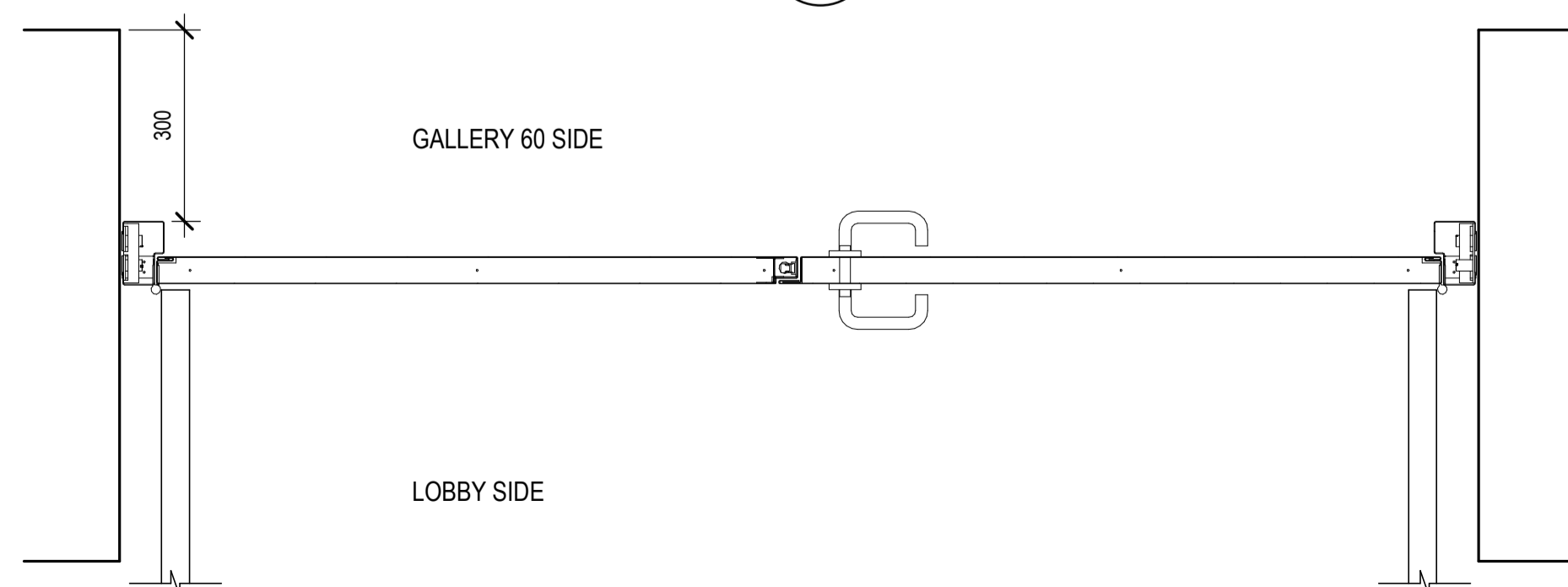
**1** LEVEL 6 EXISTING PLAN  
EGYPTIAN GALLERY  
SCALE: 1 : 50

**2** LEVEL 6 PROPOSED  
PLAN EGYPTIAN  
GALLERY  
SCALE: 1 : 50



**3** LEVEL 6 - EXISTING  
ELEVATION  
SCALE: 1 : 50

**4** LEVEL 6 - PROPOSED  
ELEVATION  
SCALE: 1 : 50



**5** ASSA DOOR DETAILS  
SCALE: 1 : 10



03/04/2020 11:41:00