

Chatsworth House, Bakewell, Derbyshire
Products used: Airtrak-LV15, Airtrak-LV9,
Airtrak-AB1 (bespoke to specification)



Point ventilators for lead roofing

Airtrak CV
Cheek ventilator

Download product files here

**Description**

A point ventilator fabricated from stainless steel and code 5 lead sheet which can be used to introduce ventilation into vertical lead cladding.

Material

0.7mm stainless steel, vinyl coated GRP insect mesh, code 5 lead sheet to BS EN 12588.

Ventilation

2200 mm²

Dimensions

OA width 150mm, OA height 150mm

Compatibility

For use with lead cladding.

Installation

The CV Ventilator is fitted over an aperture in the vertical cladding 25mm high x 90mm wide. The lead cladding should be folded back into a welt on the lower edge to receive the free edge of the insect mesh. The free edge of the mesh is secured by dressing it into the welt and the CV is then welded to the vertical cladding on the top and sides.

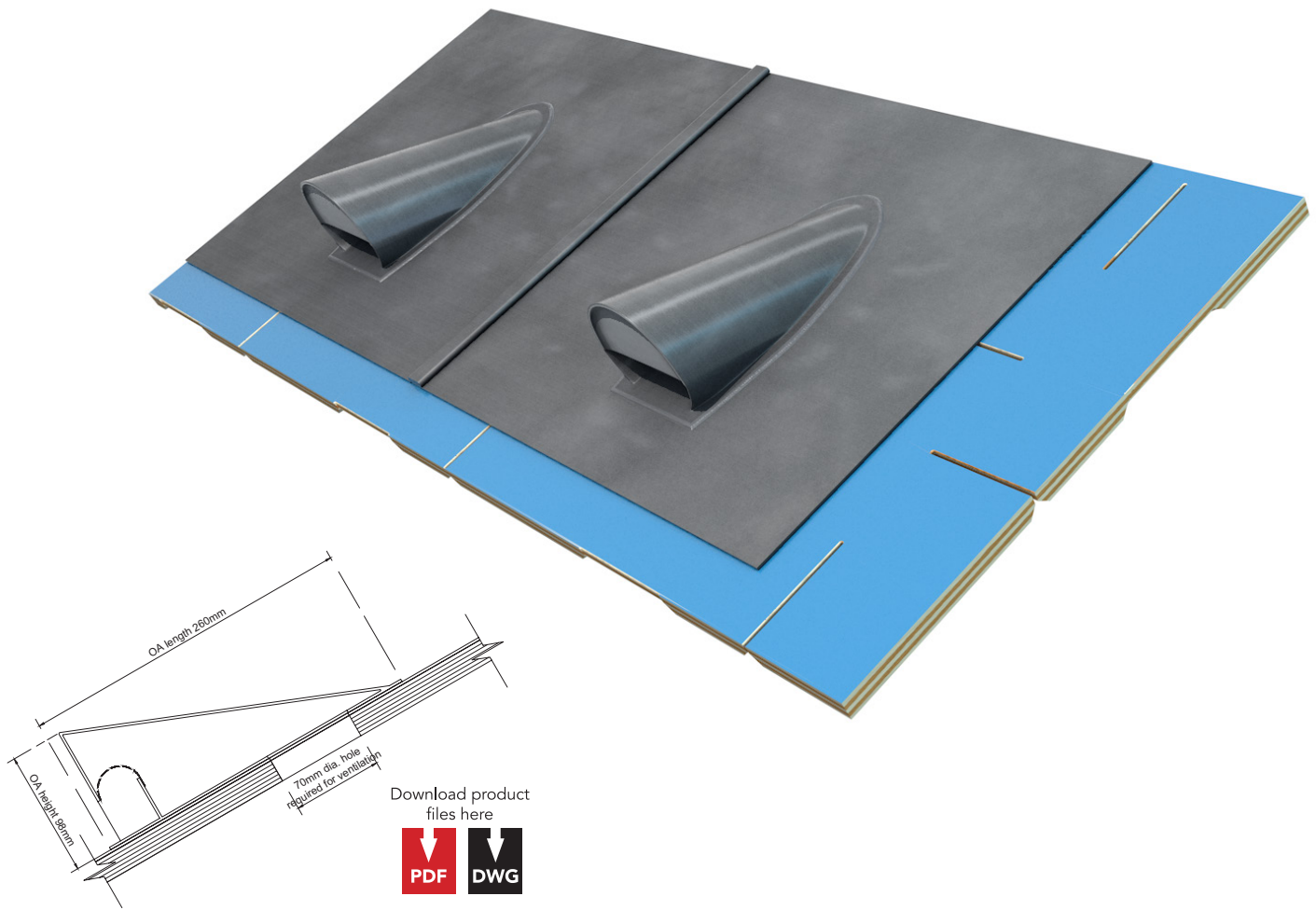
Severe exposure

For coastal and very exposed locations this ventilator can be supplied in 1.0mm thick 316 grade stainless steel. Where extreme weather conditions are likely, consideration should be given to providing more weathering cover to upstands and slating or tiling to improve the integrity of the detail.

To specify

- Airtrak CV Cheek Ventilator
Supplied by Nicholson. Tel 0845 0098 980.

Airtrak PRV
Pitched roof ventilator



Description

The Pitched Roof Ventilator is designed for providing point ventilation to lead roofs and vertical cladding where appropriate. The traditional shape adopted is suitable for pitches of 30° and over. It has an integral fly screen of stainless steel woven mesh. The ventilator is positioned over a hole in the decking and lead covering and welded into position. A storm check is incorporated into the design to guard against water ingress in extreme conditions.

These ventilators may also be used in slated and tiled roofs where a more traditional look is required. The ventilator should be welded to a larger base sheet prior to being included in the slating or tiling.

Material

Code 5 lead, stainless steel woven insect mesh.

Ventilation

3000mm²

Dimensions

OA length 260mm, OA height 98mm

Compatibility

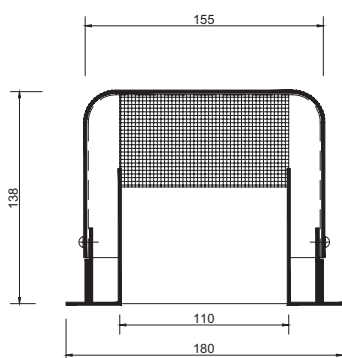
A point ventilator for lead roofing and slated and tiled roofing on pitches over 30°.

Installation

The PRV is welded to the completed lead bay over an aperture in the lead covering and roof deck of 70mm diameter. If desired, the PRV should be treated with patination oil in the normal manner. To use the PRV in a slated or tiled roof, it must first be welded to an appropriate sized lead sheet. It is then tiled or slated into the roof as tiling proceeds.

To specify

- Airtrak PRV Pitched Roof Ventilator
Supplied by Nicholson. Tel 0845 0098 980.

Airtrak LV9
Lead roof ventilator

Download product files here



Description

The LV9 Lead Roof Ventilator is a compact point ventilator for flat or pitched lead covered roofs up to 30°. It is useful for introducing ventilation into roof voids which cannot easily utilise the Airtrak linear ventilators.

The LV9 can also be supplied with a stainless steel insert inside the weathering hood. This provides extra strength and is recommended when the LV9 is sited where it might be vulnerable to mechanical damage. These areas would include roof walkways, escape routes and areas accessed by maintenance contractors. The LV9 can also be used as a termination for extract ducts. It can also be used for situations where additional ventilation is required or retrofitted to roofs where no ventilation was initially installed.

Material

Code 5 lead, 0.7mm stainless steel, vinyl coated GRP insect mesh.

Ventilation

9000mm². Used at 900mm centres = 10mm continuous air gap equivalent.

Dimensions

OA height 138mm, OA width 180mm

Compatibility

Point ventilator or extract terminal for lead roofing up to a pitch of 30°.

Installation

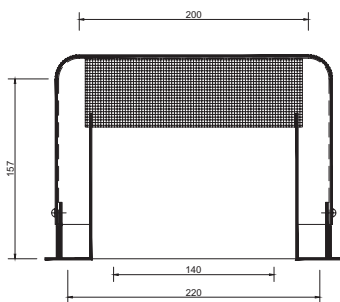
The LV9 is fitted to a completed lead roof. A 110mm diameter aperture is made in the lead roof covering and the roof decking below. The LV9 is placed centrally over the hole and welded to the lead bay. Avoid siting the LV9 where it could obstruct the flow e.g. gutters.

To specify

- Airtrak LV9 Lead Roof Ventilator
- Airtrak LV9-S Lead Roof Ventilator with stainless steel insert
- Airtrak LV9-X Lead Roof SVP or Extract Terminal – no insect mesh.

Supplied by Nicholson. Tel 0845 0098 980.

Airtrak LV15 Lead roof ventilator



Download product files here



Description

The LV15 Lead Roof Ventilator is a compact point ventilator for flat or pitched lead covered roofs up to 30 degrees. It is useful for introducing ventilation into roof voids which cannot easily utilise the Airtrak linear ventilators.

The LV15 can also be supplied with a stainless steel insert inside the weathering hood. This provides extra strength and is recommended when the LV15 is sited where it might be vulnerable to mechanical damage. These areas would include roof walkways, escape routes and areas accessed by maintenance contractors. The LV15 can also be used as a termination for extract ducts. It can also be used for situations where additional ventilation is required or retrofitted to roofs where no ventilation was initially installed.

Material

Code 5 lead, 0.7mm stainless steel, vinyl coated GRP insect mesh.

Ventilation

15,000mm². Used at 600mm centres = 25mm continuous air gap equivalent. Used at 1500mm centres = 10mm continuous airgap equivalent.

Dimensions

OA height 157mm, OA width 220mm

Compatibility

Point ventilator or extract terminal for lead roofing up to a pitch of 30 degrees.

Installation

The LV15 is fitted to a completed lead roof. A 140mm diameter aperture is made in the lead roof covering and the roof decking below. The LV15 is placed centrally over the hole and welded to the lead bay. Avoid siting the LV15 where it could obstruct the flow e.g. gutters.

To specify

- Airtrak LV15 Lead Roof Ventilator
- Airtrak LV15-S Lead Roof Ventilator with stainless steel insert
- Airtrak LV15-X Lead Roof SVP or Extract Terminal – no insect mesh.
Supplied by Nicholson. Tel 0845 0098 980.

Sandhurst Royal Military Academy, Sandhurst, Surrey
Products used: Airtrak-AB1, Airtrak-MV200, Airtrak-LB30
(bespoke to specification)



Linear ventilators for metal, liquid applied
and membrane roofing