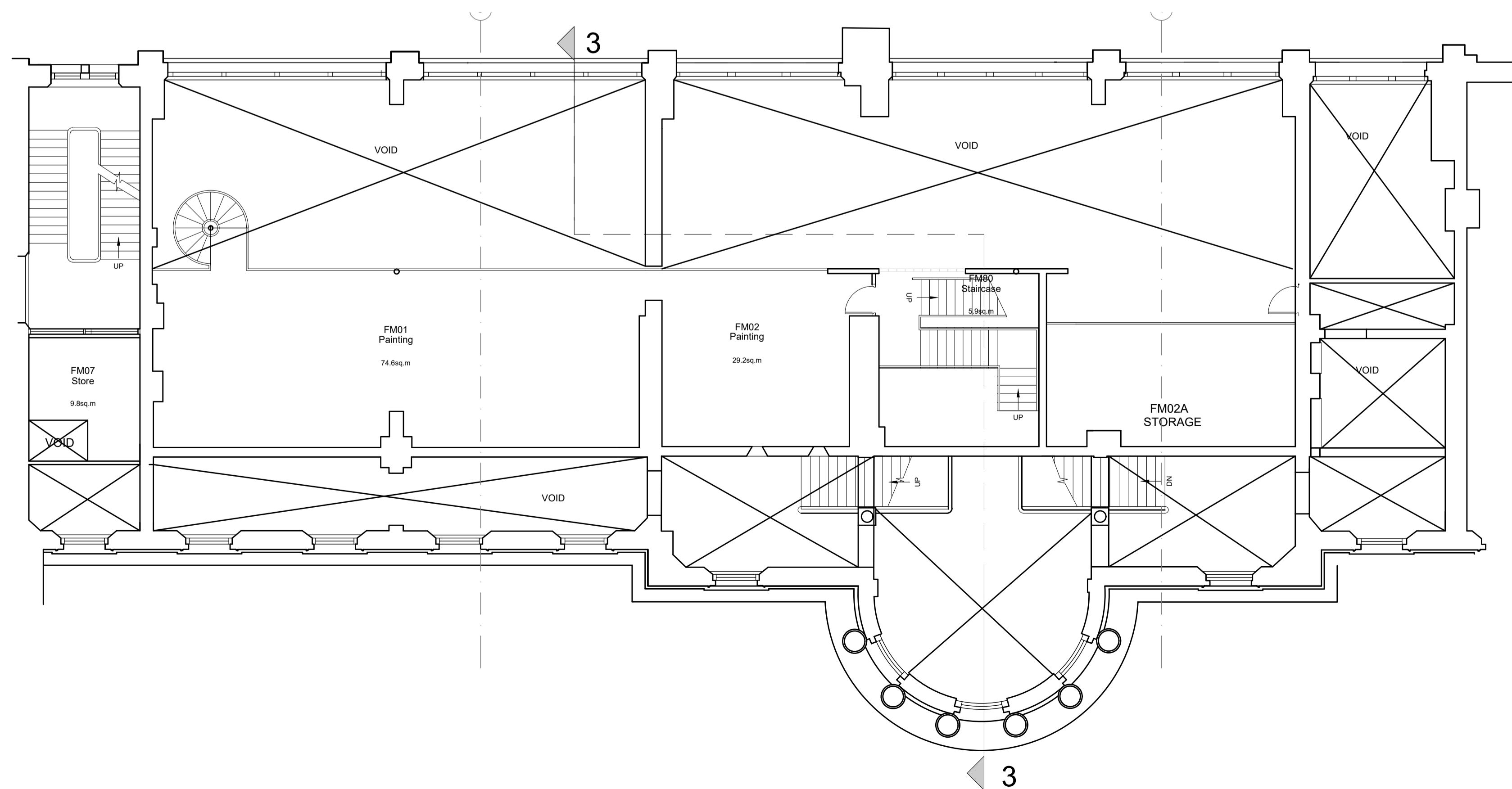


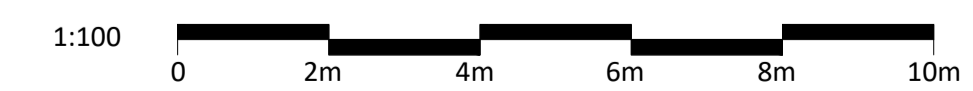
First Floor Plan
As Existing

1:100



First Floor Mezzanine
As Existing

1:100



rev.	description	date	chkd.
A	North point added	17.03.20	

client : UCL

project : The Slade School of Fine Art
Gower St, London, WC1E 6BT
External Refurbishment

drawing title : First Floor Plan & Mezzanine
As Existing

FulkersBaileyRussell

london | gravesend | brighton | bristol | leeds | reading | manchester
info@fulkers.co.uk // www.fulkers.co.uk // 01474 369175

drawn: CK chkd: date: Jan 2020

status: Planning scale: 1:100 @ A1

proj no : 19-2306

drg no : 100-04 rev no: A