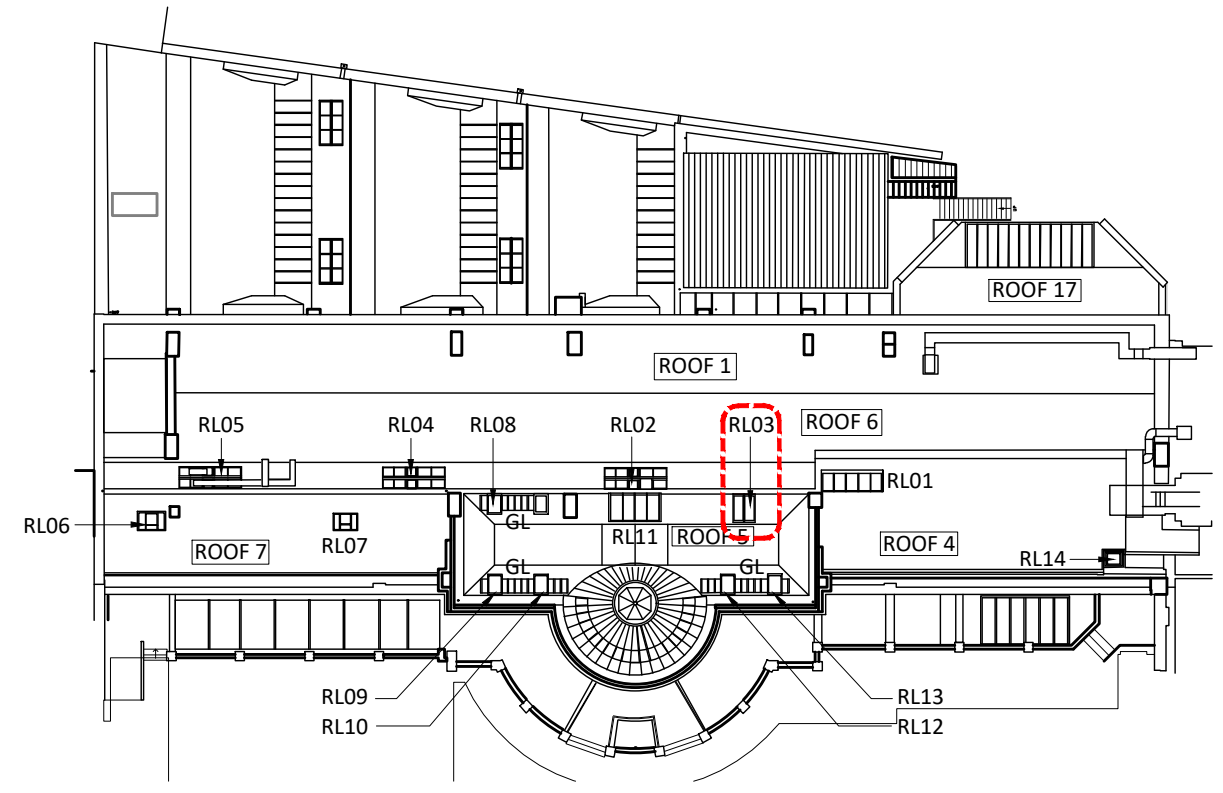


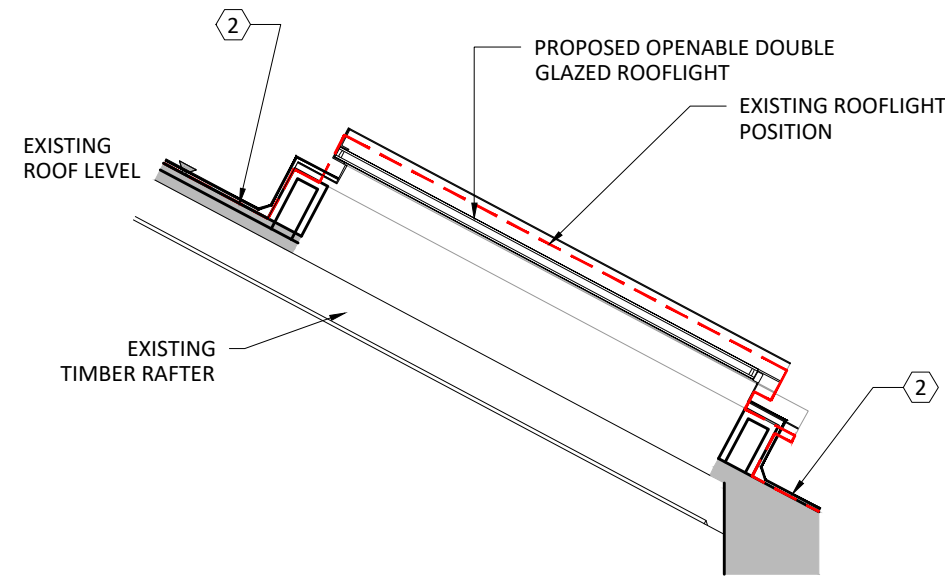
**Rooflight RL03**  
As Proposed 1:20

- Notes:
1. New glazing as The Standard Patent Glazing Company No.7 'Heritage' lead covered steel glazing bar with double glazing. Ref. UCL/07 and UCL/04.
  2. REMOVE EXISTING PERIMETER LEAD AS REQUIRED TO ALLOW WORKS TO BE UNDERTAKEN. AS REQUIRED PROVIDE NEW LEAD COVERING TO CLAUSE H71/110

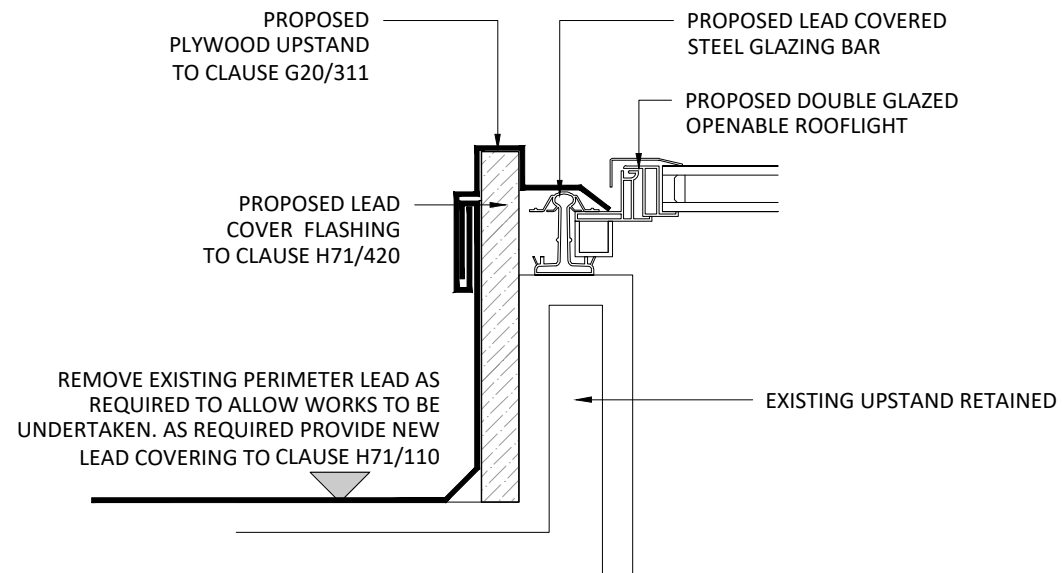
--- Outline of existing rooflight



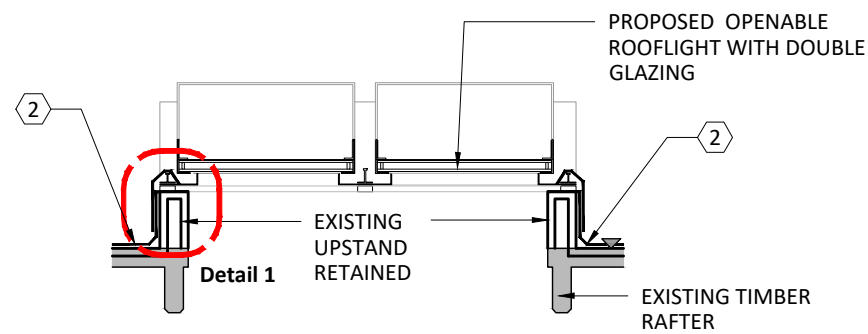
**Rooflight Location Plan**  
As Existing NTS



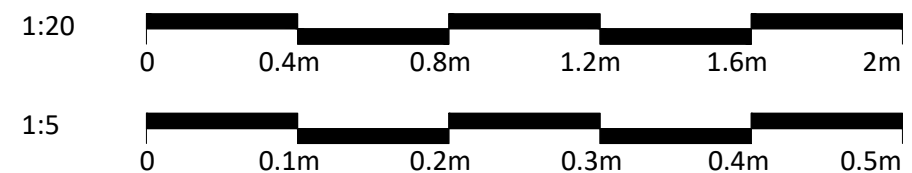
**Section A-A**  
As Proposed 1:20



**Detail 1 - Typical Rooflight Detail**  
As Proposed 1:5



**Section B-B**  
As Proposed 1:20



B	Specification notes updated	09.03.20	
A	Roof insulation proposal removed	28.02.20	
rev.	description	date	chkd.

client : UCL

project : The Slade School of Fine Art  
Gower St, London, WC1E 6BT  
External Refurbishment

drawing title : Rooflight RL03  
As Proposed

**FulkersBaileyRussell**  
london | gravesend | brighton | bristol | leeds | reading | manchester  
info@fulkers.co.uk // www.fulkers.co.uk // 01474 369175

drawn:SP chkd:SL date: Jan 2020

status: **Planning** scale: As shown@A3

proj no: 19-2306

drg no: 200-12 rev no: B