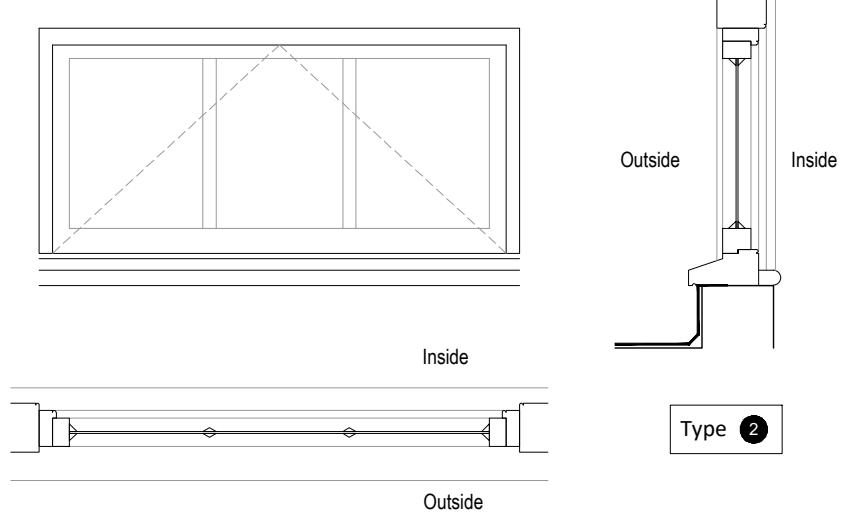


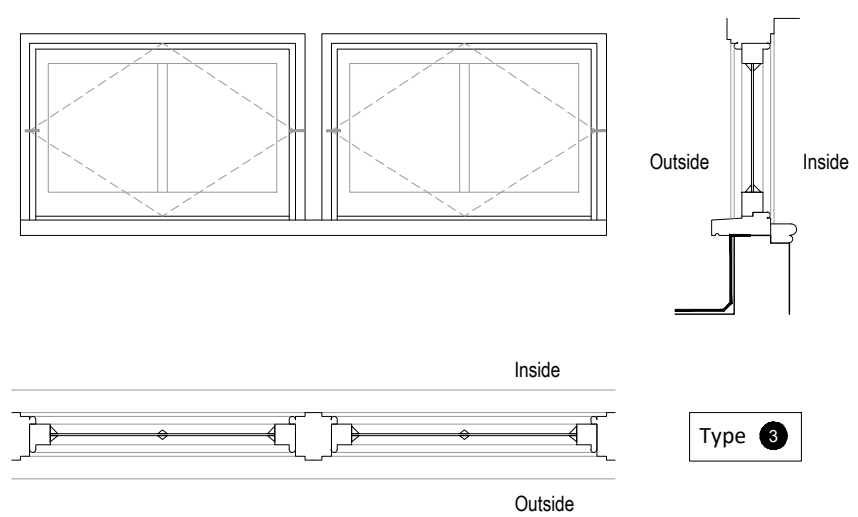
Type 1



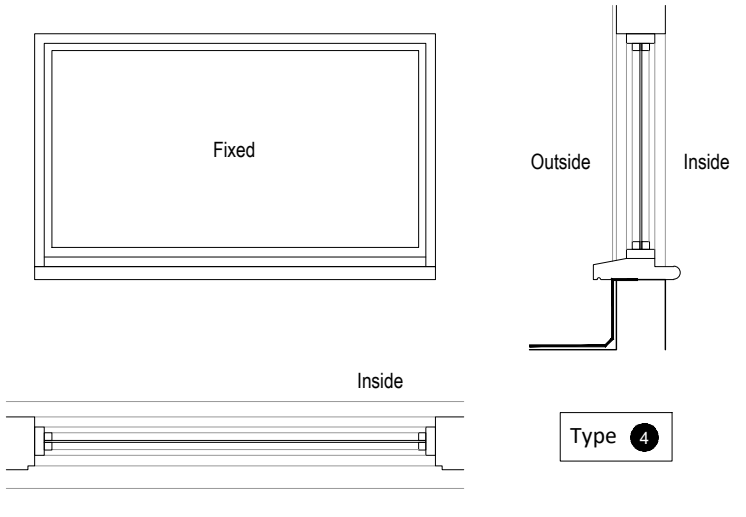
Type 2

Timber Clerestory Window Type 1
As Existing 1:20

Timber Clerestory Window Type 2
As Existing 1:20



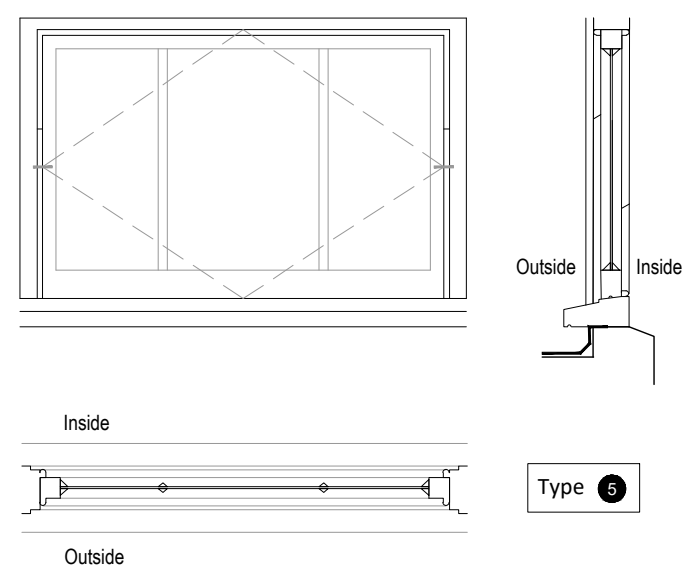
Type 3



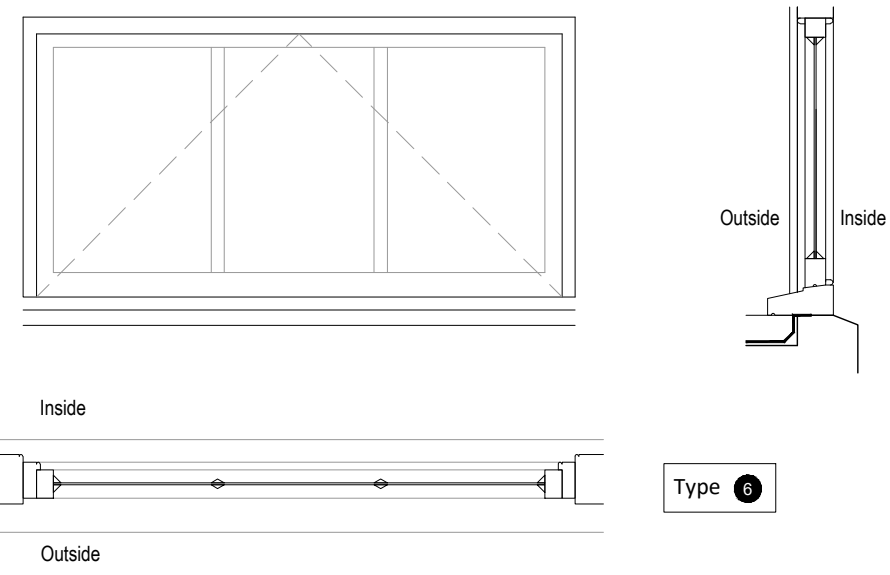
Type 4

Timber Clerestory Window Type 3
As Existing 1:20

Timber Clerestory Window Type 4
As Existing 1:20



Type 5



Type 6

Timber Clerestory Window Type 5
As Existing 1:20

Timber Clerestory Window Type 6
As Existing 1:20

rev.	description	date	chkd.
------	-------------	------	-------

client : UCL

project : The Slade School of Fine Art
Gower St, London, WC1E 6BT
External Refurbishment

drawing title : Timber Clerestory Window Types
As Existing

FulkersBaileyRussell
london | gravesend | brighton | bristol | leeds | reading | manchester
info@fulkers.co.uk // www.fulkers.co.uk // 01474 369175

drawn: SL chkd: date: Feb 2020

status: **Planning** scale: 1:20@A3

proj no: 19-2306

drg no: 100-27 rev no: