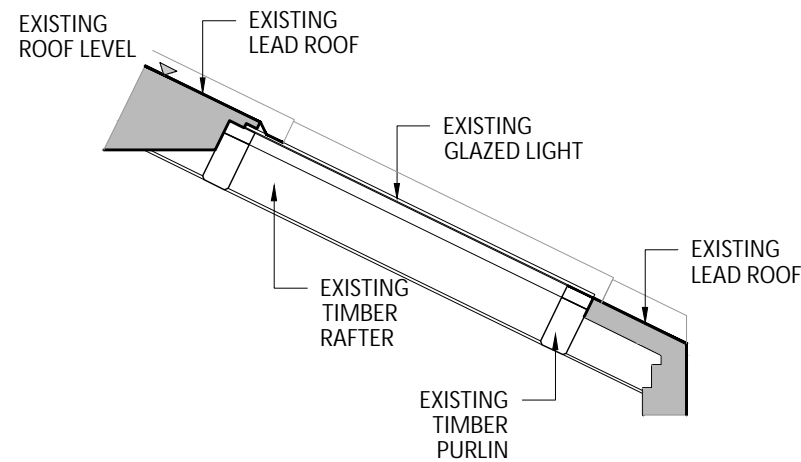
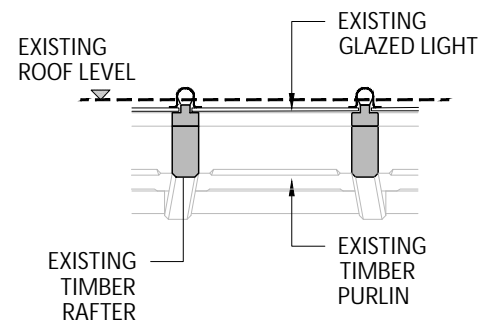


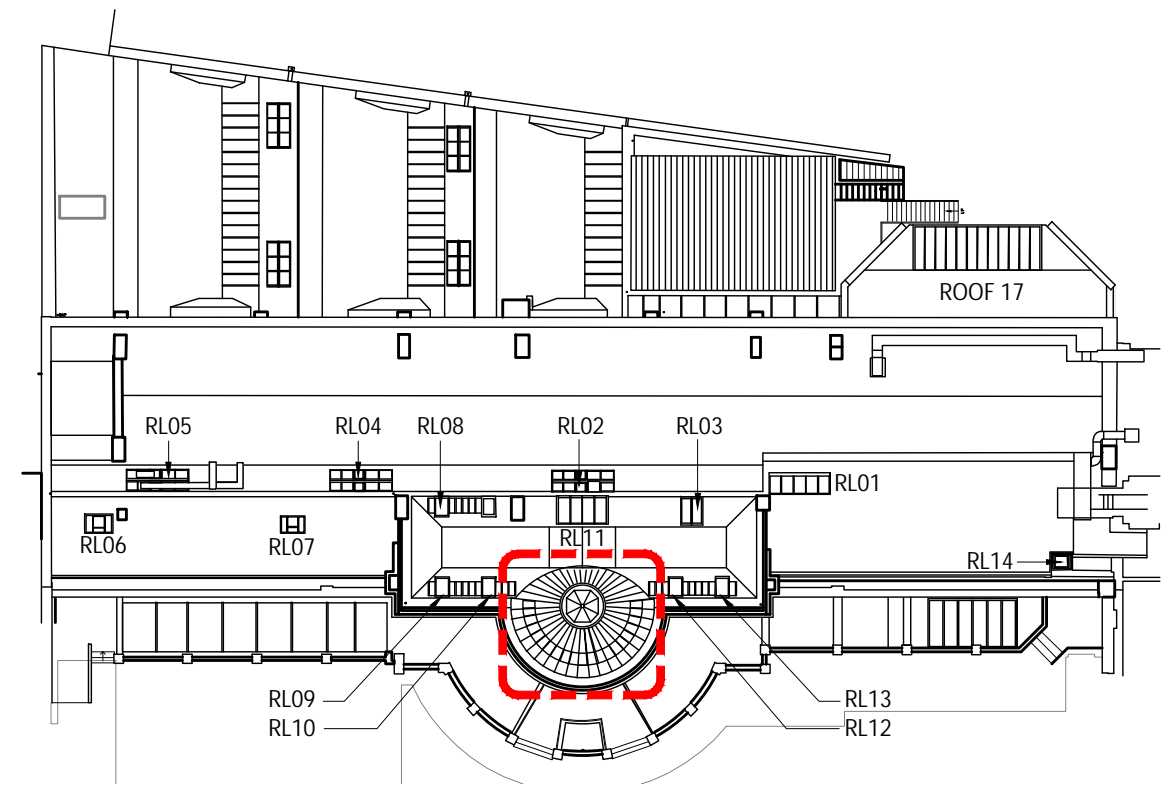
Rotunda Glazed Light - Typical Detail  
As Existing 1:20



Section A-A  
As Existing 1:20



Section B-B  
As Existing 1:20



Rooflight Location Plan  
As Existing

NTS

A Existing glazed light detail updated. 28 Feb 20

rev.	description	date	chkd.

client : UCL

project : The Slade School of Fine Art  
Gower St, London, WC1E 6BT  
External Refurbishment

drawing title : Rotunda Glazed Light  
As Existing

**FulkersBaileyRussell**

london | gravesend | brighton | bristol | leeds | reading | manchester  
info@fulkers.co.uk // www.fulkers.co.uk // 01474 369175

drawn:SL chkd : date: Jan 2020

status: Planning scale: 1:20@A3

proj no : 19-2306

drg no : 100-23 rev no: A

1:20

