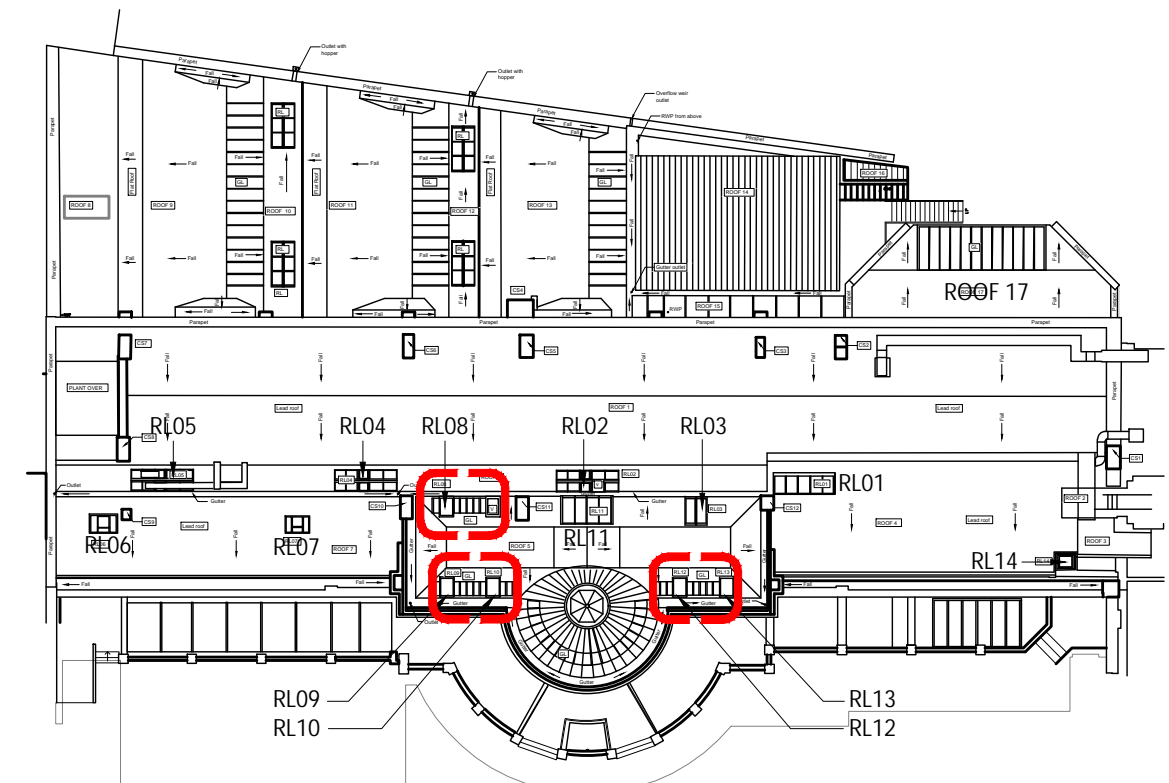
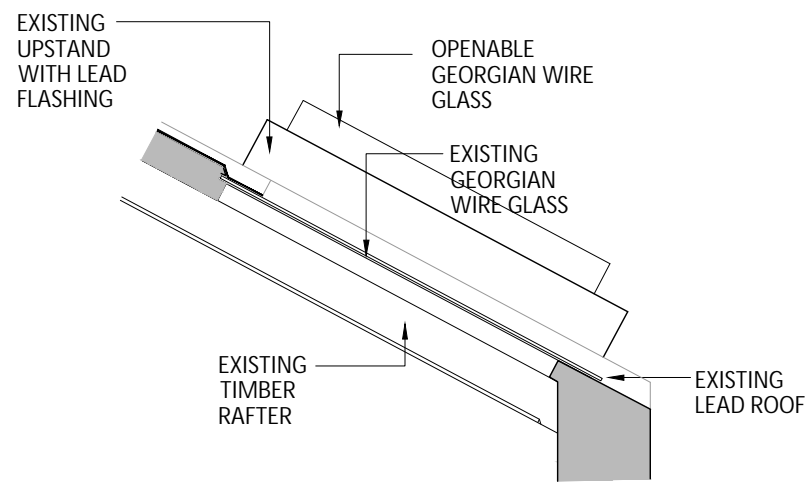


Rooflight RL08, RL09, RL10, RL12 & RL13 & Typical Inset Glazed Panel
As Existing 1:20

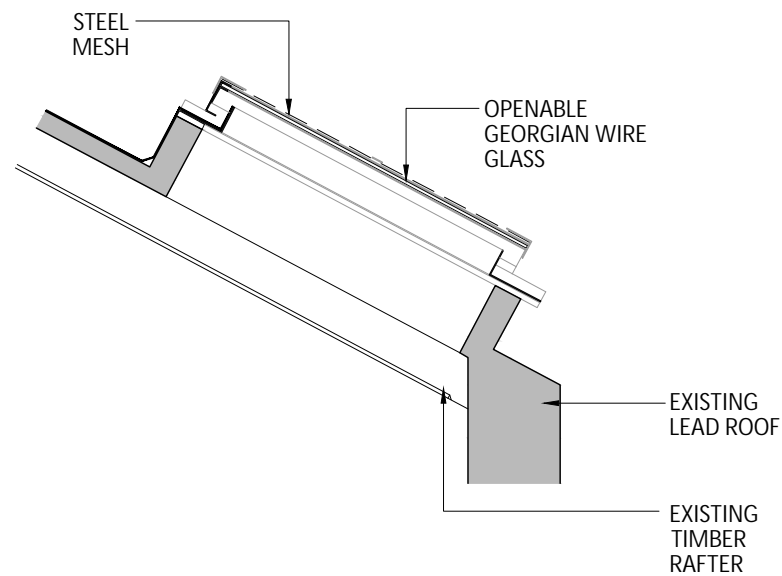


Rooflight Location Plan

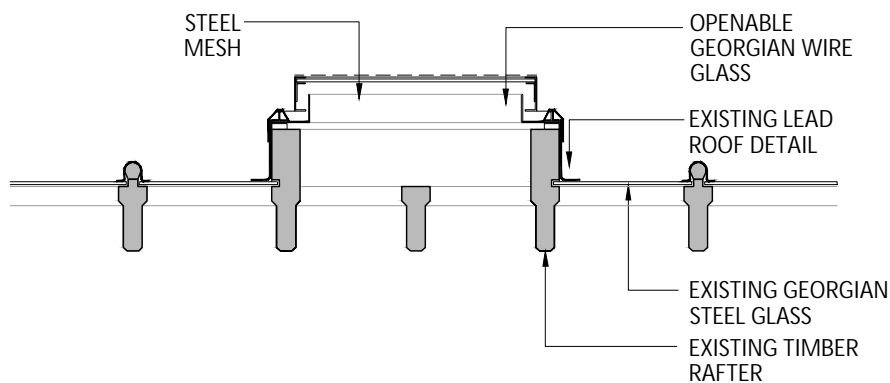
NTS



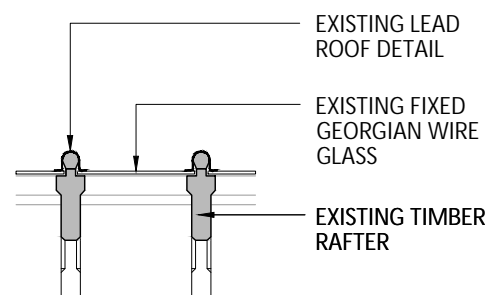
Section C-C with Elevation 1 Behind
As Existing 1:20



Section A-A
As Existing 1:20



Section B-B
As Existing 1:20



Section D-D
As Existing 1:20

1:20



A Existing glazed light detail updated. 28 Feb 20			
rev.	description	date	chkd.

client :
UCL

project :
The Slade School of Fine Art
Gower St, London, WC1E 6BT
External Refurbishment

drawing title :
Rooflight RL08, RL09, RL10, RL12 & RL13
And Typical Glazed Inset Panel
As Existing

FulkersBaileyRussell
london | gravesend | brighton | bristol | leeds | reading | manchester
info@fulkers.co.uk // www.fulkers.co.uk // 01474 369175

drawn:SL chkd: date: Jan 2020

status: **Planning** scale: 1:20@A3

proj no: 19-2306

drg no: 100-20 rev no: A