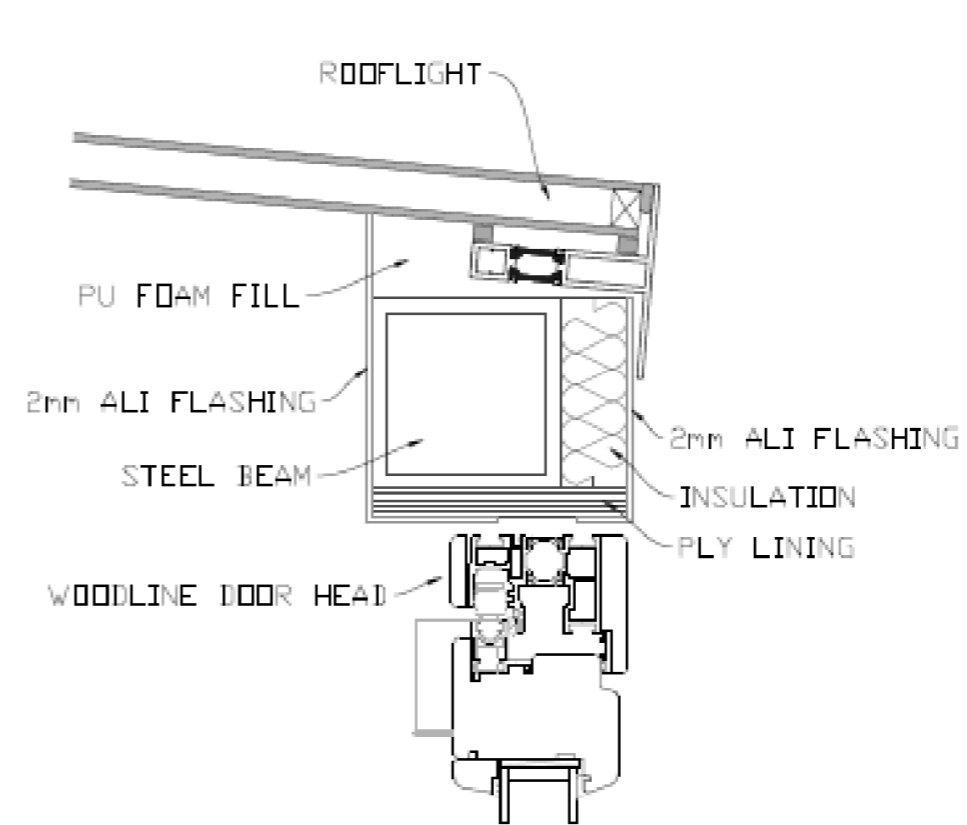


01 PROPOSED ROOF LIGHT ROOF JUNCTION  
1:4@A3



02 PROPOSED ROOF LIGHT / BI FOLD DOOR HEAD JUNCTION  
1:4@A3

Do not scale from this drawing. Use figured dimensions only. Figured dimensions are in millimetres. All dimensions shall be verified on site before proceeding with works. All levels are nominal; detailed site survey to be carried out to verify positions and level relationships with site features and ordnance survey. All levels are in metres. This drawing is for design intent only. This drawing is to be read in conjunction with other documentation from the architect, design team, main contractor and employer's agent. The architect must be notified of any discrepancies.

SLR Architects  
18 Netherton Road  
London TW1 1LZ  
020 88922616  
suzanna@slr-architects.com

2 STRATHRAY GARDENS, NW3  
PROPOSED DETAILS  
ROOF LIGHT AND DOOR HEAD  
SLR\_20\_02\_002

SLR JOB NO: 006

SCALE: 1:100 @A3