

Description of works:

- New double-glazed uPVC woodgrain effect sash windows
- Remove existing timber box sash windows
- Install new uPVC sash windows into aperture
- Fit new traditional sash window ironmongery
- Res-seal and touch in paint using MVP acrylic white gloss to match existing paint.

Specification:

uPVC sash windows woodgrain effect

Glass:

Inner pane: 4mm low iron glass with Planitherm Low – E energy efficient coating

Spacer: White 20mm Warm Edge

Outer pane: 4mm Clear float glass

Toughened glass is used in all opening sashes

Units will have 20mm argon filled cavity

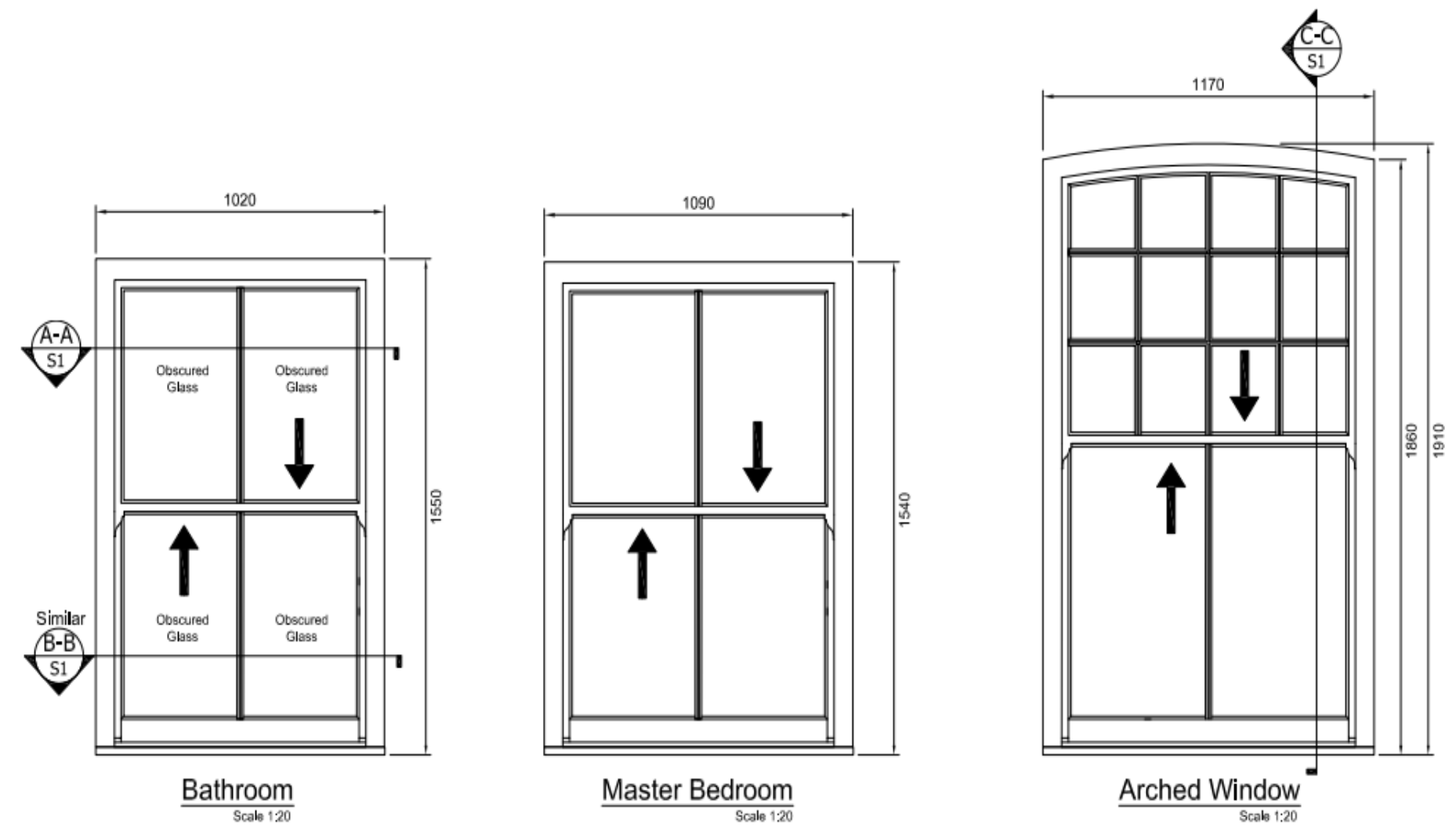
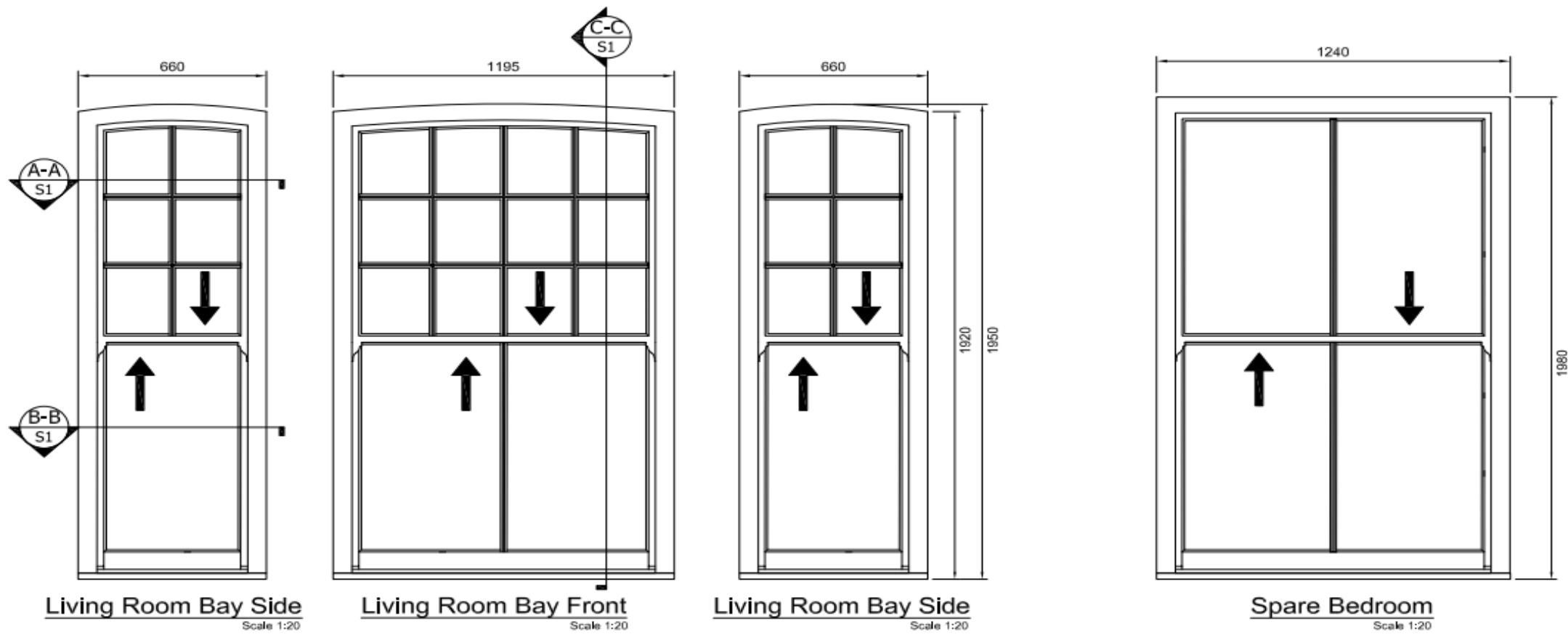
Security:

All windows to have 2 x locking fasteners and rola stops to which the windows will be limited to opening 100mm unless rola stops removed using a key.

Client: Mr Alex Hymers

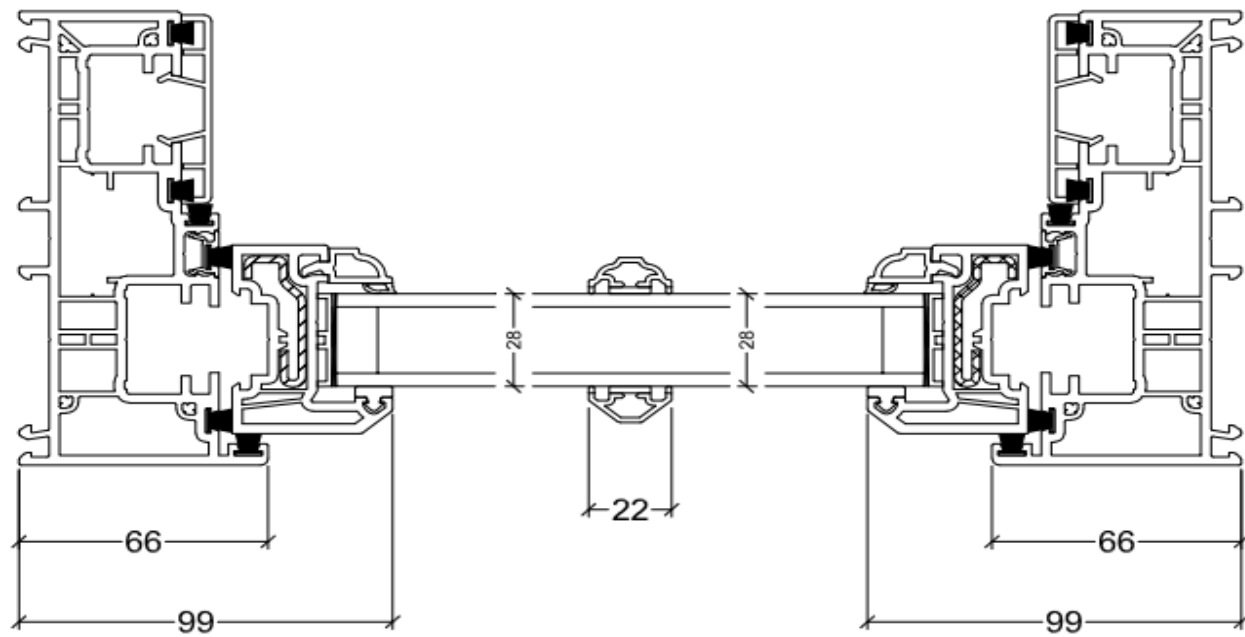
Address: Flat 2, 16 Mazenod Avenue, London, NW6 4LR


SASH WINDOWS
SPECIALIST

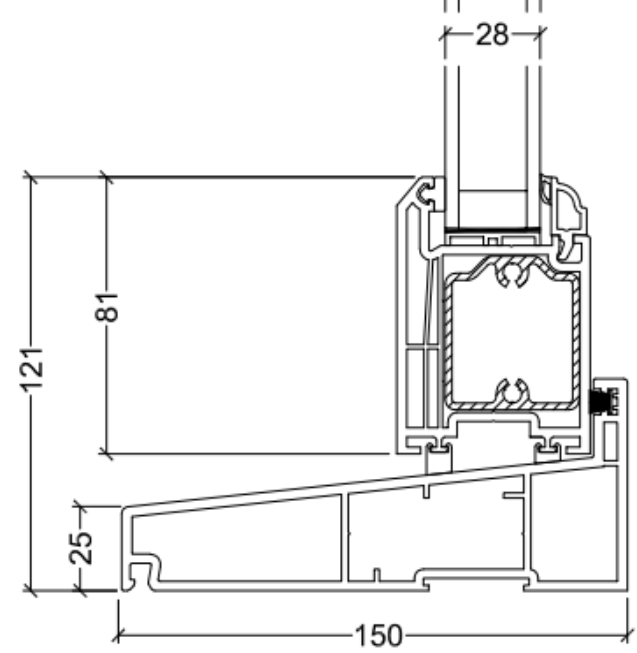
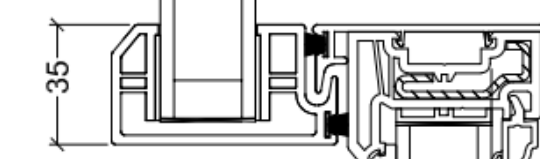
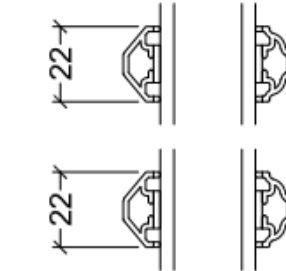
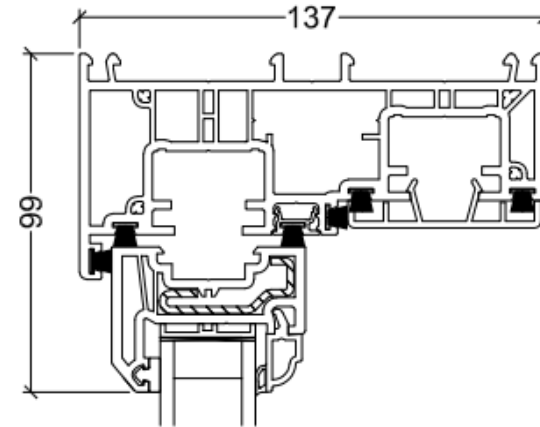


Client: Mr Alex Hymers
 Address: Flat 2, 16 Mazenod Avenue, London, NW6 4LR

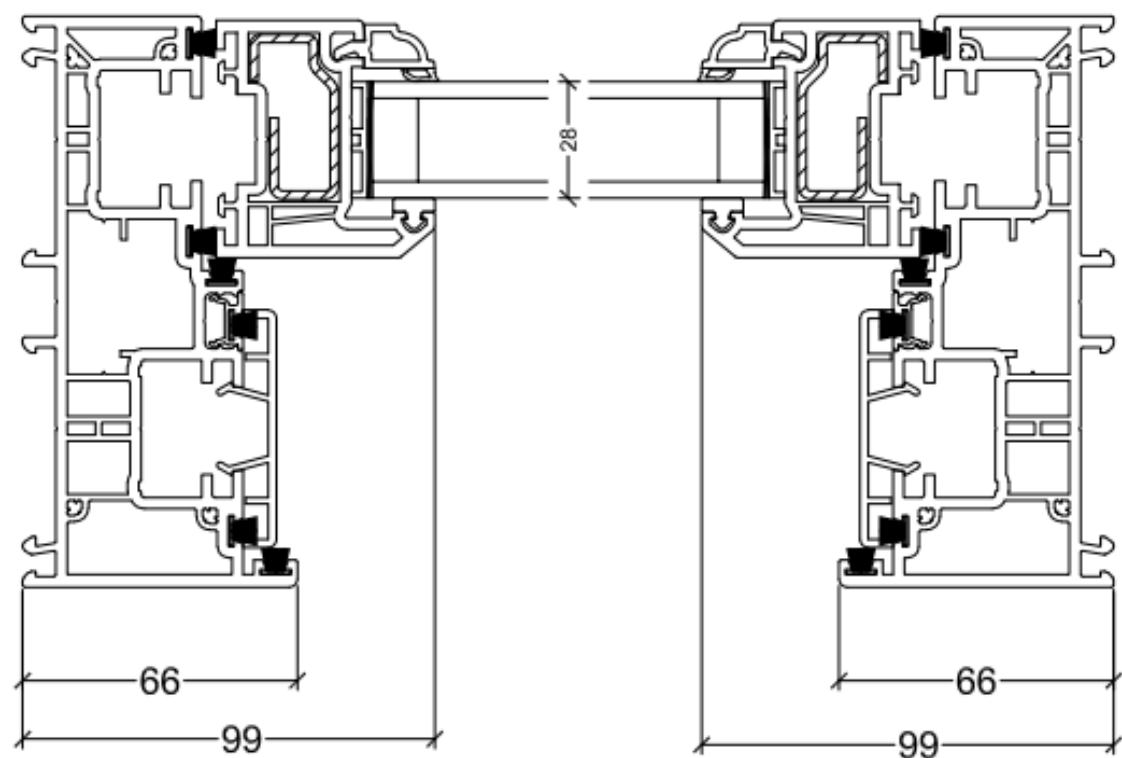
SB
 SASH WINDOWS
 SPECIALIST



A-A Section Detail
Scale 1:2



C-C Section Detail
Scale 1:2



B-B Section Detail
Scale 1:2

Client: Mr Alex Hymers

Address: Flat 2, 16 Mazenod Avenue, London, NW6 4LR

