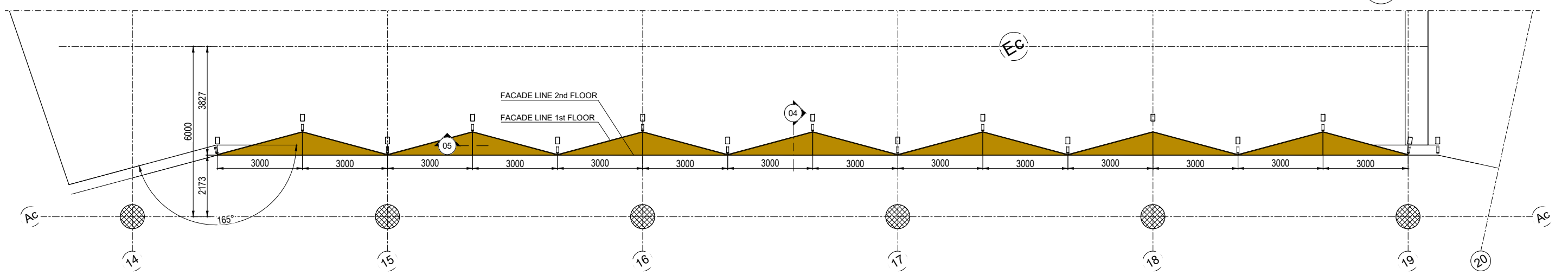
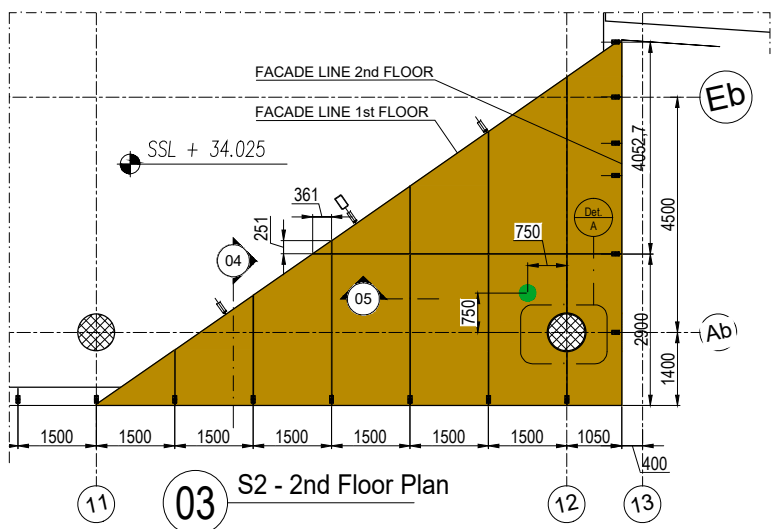


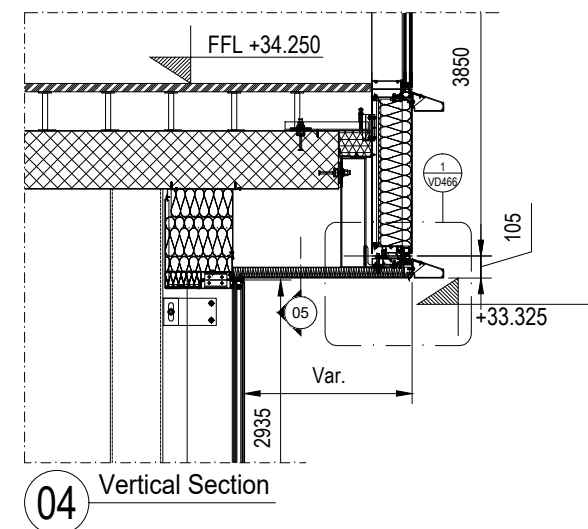
01 S1 - 2nd Floor Plan



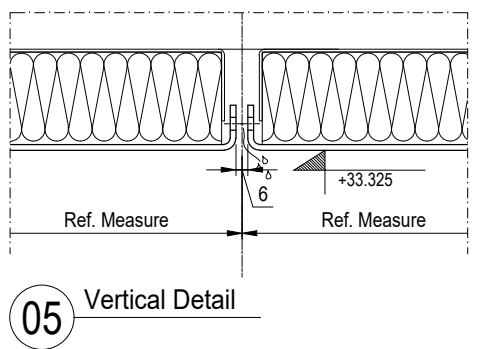
02 N1 - 2nd Floor Plan



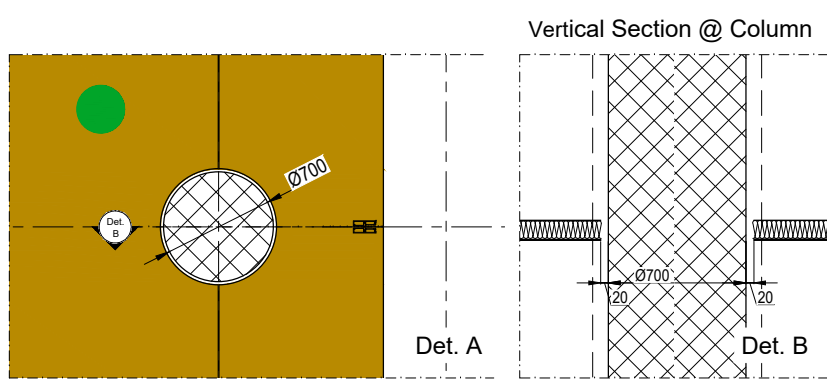
03 S2 - 2nd Floor Plan



04 Vertical Section

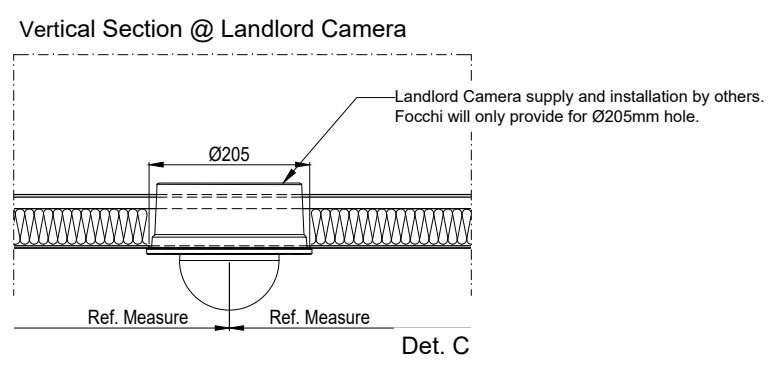


05 Vertical Detail



Det. A

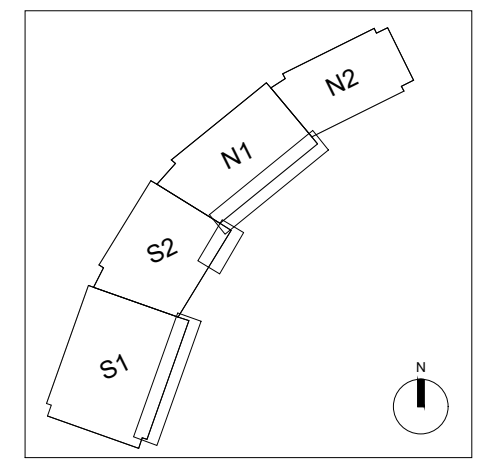
Det. B



Det. C

● LANDLORD PTZ CAMERA (Detail C)

Key Map



Issue: 140	Job: 160070	Rev.: 02
File: KXC-T2-001-FOC-21-PSN04	Issued for: INFORMATION	Drw.: PSN04
Scale: 1:150 @ A3		
Description: Ceiling Layout	Approved by: L. CENNI	
Drawn by: PFE	Date: 16-04-2019	
	Rev: 00	
	01	
	02	
Project: King's Cross - T2/T3	Architect: Bennetts Associates	Client: BAMC
London		Package: FOCCHI
<b>REFLECTED CEILING PLAN</b>		
BLOCK S1-S2-N1 - 2nd FLOOR		
Title:	<b>FOCCHI</b>	