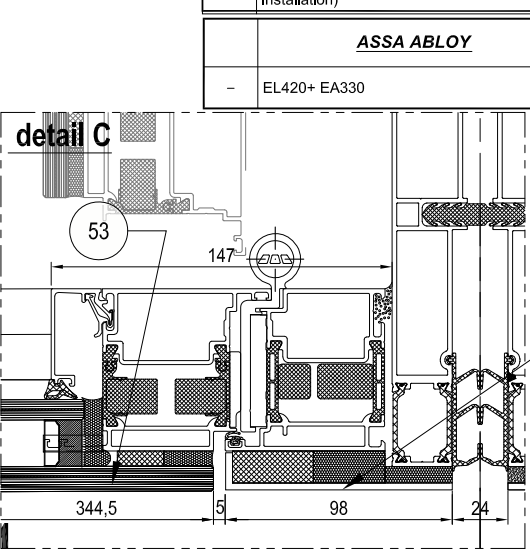
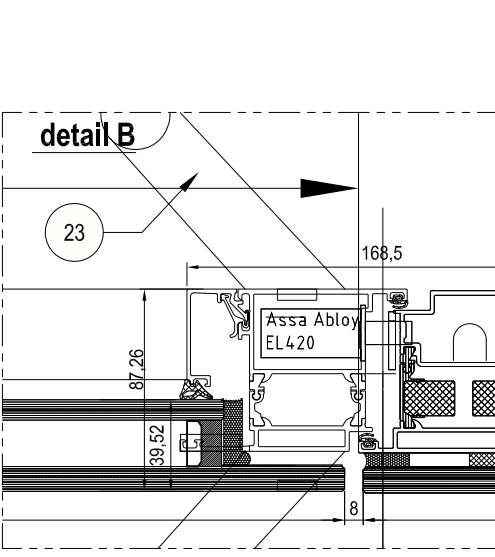
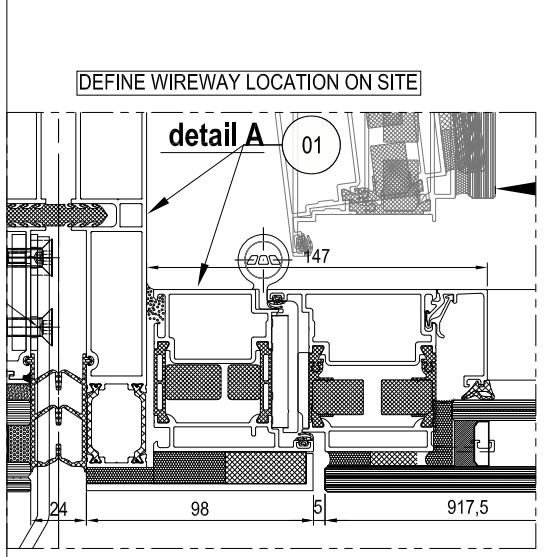


IRONMONGERY BY DOOR SUPPLIER	
int./ext.	Pull Handle: 240100 Stainless Steel
int.	Hinges cod. 239585 - RAL9005
int./ext.	Stainless Steel Oval Rosette cod.218 897
AUTOMATIC SWING DEVICES by AUTOMATISM SUPPLIER	
-	DORMA ED 100 swing operator
-	Door safety sensors
-	Astro Finger Defender (possible for future installation)
ASSA ABLOY	
-	EL420+ EA330



MATERIAL KEY LIST	
ALUMINIUM COMPONENTS	
01	ALUMINIUM PROFILE PPC RAL 7022
02	ALUMINIUM PROFILE BRONZE ANODISED
03	ALUMINIUM SHEET/PROFILE NATURAL ANODISED
04	ALUMINIUM BRACKETS MILL FINISH
05	ALUMINIUM SHEET BRONZE ANODISED
06	PERFORATED ALUMINIUM SHEET BRONZE ANODISED
07	ALUMINIUM SHEET PPC RAL 7022
08	ALUMINIUM BRACKETS BRONZE ANODISED
09	ALUMINIUM BRACKET PPC RAL 7022
10	ALUMINIUM SHEET PROFILE BLACK ANODISED
GALVANIZED STEEL COMPONENTS	
11	HOT DIPPED GALVANIZED STEEL CAST-IN CHANNEL
12	HOT DIPPED GALVANIZED STEEL BRACKET REINFORCEMENT
13	GALVANIZED STEEL SHEET PPC RAL 7022
14	HOT DIPPED GALVANIZED AND PAINTED STEEL PPC RAL 7022
15	GALVANIZED STEEL SHEET
16	HOT DIPPED GALVANIZED FIXING
STAINLESS STEEL COMPONENTS	
21	STAINLESS STEEL BRACKET AISI 316
22	STAINLESS STEEL ROD AISI 316
23	STAINLESS STEEL
24	STAINLESS STEEL BRACKET AISI 304
25	STAINLESS STEEL FIXING SCREW
26	STAINLESS STEEL FIXING SCREW ACID ETCHED (BLACK)
27	STAINLESS STEEL BRACKET AISI 316 - BLACK
EPDM / SILICONE COMPONENTS	
31	BLACK EPDM GASKET
32	BLACK SILICONE
33	BLACK STRUCTURAL SILICONE
34	BLACK EPDM MEMBRANE
35	EPDM COMPATIBLE WITH STRUCTURAL SILICONE
GLASS TYPES	
41	GL-1 DGU VISION GLASS CLADDING TYPE 1-2 (SEE GLASS TYPE SCHEDULE)
42	GL-2 DGU SPANDREL GLASS CLADDING TYPE 1 (SEE GLASS TYPE SCHEDULE)
43	GL-4 DGU SPANDREL GLASS CLADDING TYPE 2 (SEE GLASS TYPE SCHEDULE)
44	GL-5 DGU SPANDREL GLASS CLADDING TYPE 1-2 (SEE GLASS TYPE SCHEDULE)
45	GL-5 DGU BALUSTRADE GLASS CLADDING TYPE 1-2 (SEE GLASS TYPE SCHEDULE)
46	GL-6 DGU VISION GLASS CLADDING TYPE 4A-4B-4C (SEE GLASS TYPE SCHEDULE)
47	GL-7 DGU VISION GLASS CLADDING TYPE 1 (SEE GLASS TYPE SCHEDULE)
48	GL-10 DGU VISION GLASS CLADDING TYPE 7 (SEE GLASS TYPE SCHEDULE)
49	GL-10A DGU VISION GLASS CLADDING TYPE 7 (SEE GLASS TYPE SCHEDULE)
50	GL-DOOR DGU VISION GLASS (SEE GLASS TYPE SCHEDULE)
VARIOUS MATERIAL	
61	MINERAL WOOL
62	FIRE AND AIR SEAL BARRIER
64	PLASTIC SHIM / THERMAL BREAK
65	ALU FIXINGS
71	ELECTRIC CHAIN ACTUATOR
81	INSECT MESH
98	INTERNAL CEILING AND FINISH FLOOR BY OTHERS
99	VARIOUS BY OTHERS

	Title :	Project : King's Cross - T2 London	Rev	Date	Drawn by:	Approved by:	Description	File : KXC-T2-001-Y-FOC-21-DR004	Issue : I-40
	<h1>PAVILION TYPICAL DOOR</h1> <p>Automatic Door</p>	Architect : Bennetts Associates	00	02-12-2019	A.SINTUCCI	L. CENNI	-	Scale : 1:2.5 @ A3	Job : 160070
		Client : BAMC	01	24-02-2020	A.SINTUCCI	L.CENNI	-	Issued for : INFORMATION	Rev.: 01
		Package : FOCCHI	-	-	-	-	-	Draw.: DR004	